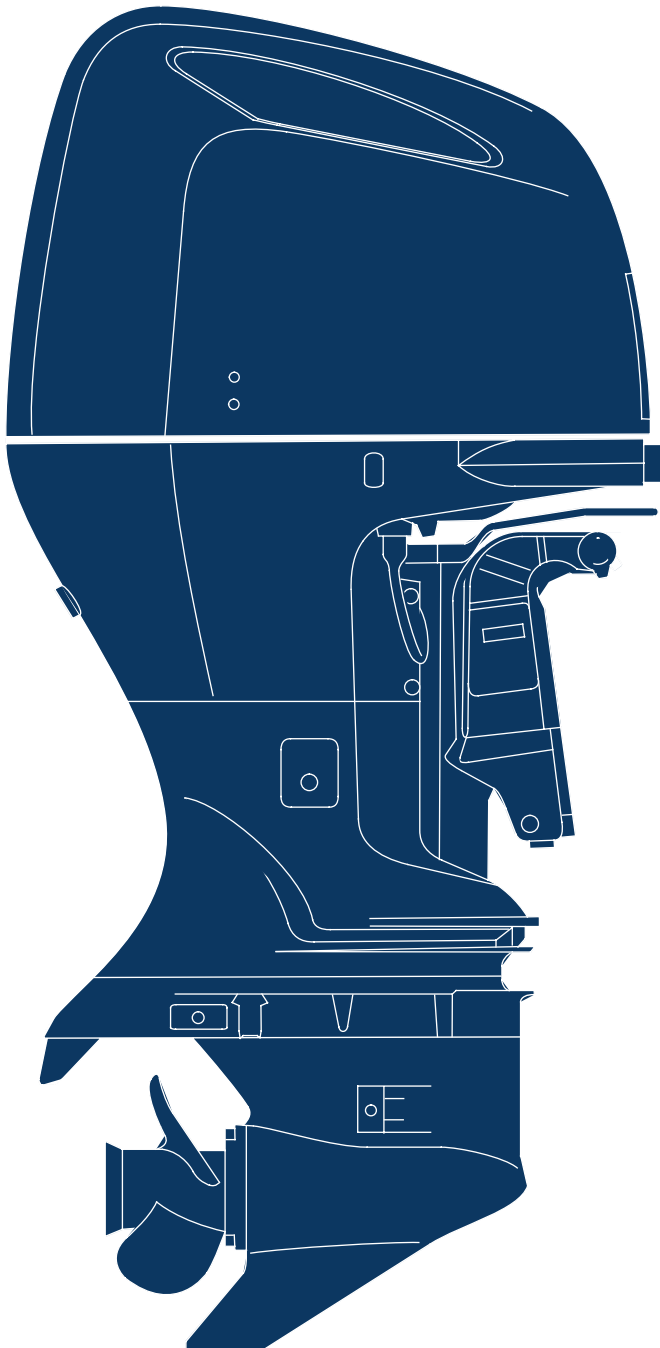


2016 PARTS CATALOG

 TOHATSU



BFT 250A

OB NO.002-14ZX2-0AF
1510US

Instruction for use of parts catalogue

- **This parts catalogue was prepared based on the latest information available as of October 1, 2015.**
- See the Service Bulletin for any revision that is made after October 1, 2015.
- **Always specify the part number when ordering a part.**
 - Check the model, type, serial numbers, color, maker, and the size as needed before ordering a part.
 - Note that the illustrations (part drawings) can differ from the actual parts in shape.
Illustrations are given just to help you to refer to the parts.
- **When modifications or additions to this parts catalogue are made, a revised edition will be issued at an appropriate time, with successively progressing revision numbers on the cover. We recommend obtaining such revisions in order to keep your parts catalogue up-to-date at all times.**

Initial version issue date October 1, 2015

CONTENTS

E-1	CYLINDER HEAD COVER	1
E-3	CYLINDER BLOCK	3
E-3-10	CRANKCASE	7
E-4	EXHAUST MANIFOLD/THERMOSTAT	9
E-5	OIL PUMP/FLYWHEEL	11
E-6	OIL PAN	13
E-6-10	MOUNT CASE	15
E-6-20	MOUNT CASE BOLT	19
E-7	CRANKSHAFT/PISTON	21
E-9	CYLINDER HEAD	25
E-9-10	CAMSHAFT/ROCKER ARM	27
E-13	TIMING BELT	29
E-13-10	TIMING BELT COVER	33
E-14	FUEL PIPE/INJECTOR	35
E-14-10	INTAKE MANIFOLD	39
E-15	THROTTLE BODY	41
E-18	VAPOR SEPARATOR ASSY	43
E-18-1	WATER SEPARATOR/FUEL STRAINER	47
E-18-10	PIPING	51
E-19	A.C.GENERATOR	53
E-20	SPARK PLUG	55
E-20-10	ELECTRONIC CONTROL UNIT	57
E-21	STARTER MOTOR	59
F-2	SHIFT SHAFT	63
F-3	GEAR CASE	67
F-3-10	GEAR CASE ASSY	69
F-3-20	EXTENSION CASE	71
F-4	WATER PUMP/VERTICAL SHAFT	77
F-5	PROPELLER SHAFT	81
F-5-1	PROPELLER SHAFT (COUNTER ROTATION)	85
F-6	FUEL TUBE	89
F-7	WIRE HARNESS	91
F-7-10	STARTER CABLE	93
F-7-20	FUSE BOX/RELAY	95
F-8	ENGINE COVER	97
F-8-10	FR.COVER BRACKET/FR.LOCK SHAFT	99
F-8-20	FUEL TUBE (2)	103
F-10	STERN BRACKET/SWIVEL CASE	105
F-11	POWER TRIM-TILT	111
F-12	LABEL	115
F-13	TOOL	117
FOP-1	REMOTE CONTROL (TOP MOUNT SINGLE TYPE) (RIGHT)	119
FOP-1-2	REMOTE CONTROL (TOP MOUNT DUAL TYPE) (RIGHT)	123
FOP-1-4	REMOTE CONTROL (FLUSH MOUNT DUAL TYPE) (RIGHT)	127
FOP-1-6	REMOTE CONTROL	129
FOP-3	METER	135
FOP-5	BOLT KIT	137
FOP-6	SWITCH PANEL KIT	139
FOP-7	CONTROL PANEL (1)	141
FOP-7-1	CONTROL PANEL (2)	143
FOP-8	PROPELLER	145
FOP-9	TRIM ADJUST PLATE SET	147
FOP-10	INTERFACE CABLE KIT	149
FOP-12	GEAR CASE KIT	151
FOP-13	PANEL INTERFACE CABLE SET	153
INDEX		155
INDEX (Parts Number)		161

How to refer to the part information

A. Reference with "Illustrated index"

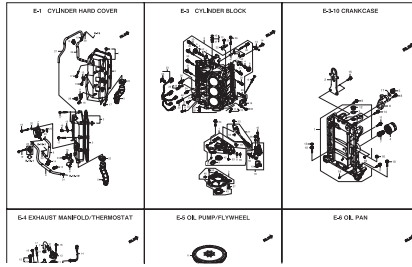
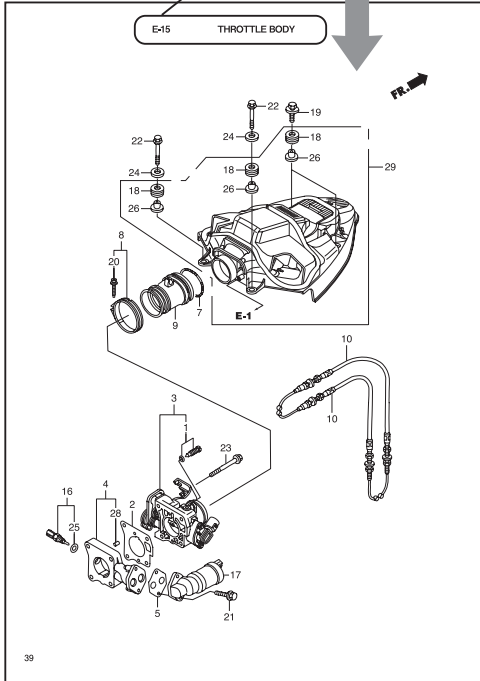


Fig. Number

Ref. Number/Part Number/Parts Name



Ref.No.	Part No.	Description	Q'ty	Remarks
E-15	1	H2YH18016-003	1	SCREEN SET
E-15	2	H2YH116H-000	1	GASKET, THROTTLE BODY
E-15	3	H2YH160D-001	1	THROTTLE BODY ASSY.
E-15	4	H2YH1848-000	1	SPACER, THROTTLE BODY
E-15	5	H2YH1845-000	1	GASKET, EAC VALVE
E-15	7	HPYH15H46-000	1	SPRING, AIR FLOW TUBE
E-15	8	H2YH1701-000	1	BAND, AIR FLOW
E-15	9	H2YH1703-000	1	CROWMET, SILENCER
E-15	10	H2YH17810-013	2	CABLE COMP, THROTTLE
E-15	14	H2H12695-000	1	SENSOR ASSY, AIR TEMP
E-15	17	H2YH18020-003	1	VALVE ASSY, EAC
E-15	18	H2YH18102-000	4	CROWMET, UNDER CASE
E-15	19	H2H14001-3-000	2	BOLT-WASHER, EX25
E-15	20	H2YH18011-000	1	BOLT-WASHER, EX30
E-15	21	H2YH18020-000	2	BOLT, FLANGE, EX22
E-15	22	H2YH18020-000	2	BOLT, FLANGE, EX30
E-15	23	H2YH18020-000	4	BOLT, FLANGE, EX35
E-15	24	H2YH18020-000	2	WASHER, FLANK, EX30
E-15	25	HPYH132-002	1	CHENG
E-15	26	H2YH155D-010	4	COLLAR, GDL UNIT CASE
E-15	28	H2D14321-00100	2	DOREL, PIN, EX10
E-15	29	H2D11846-010	1	COVER ASSY, COOLING FAN

B. Reference with "Parts number index"

INDEX (Parts Number)			
102415540	1515	10448850	114295
104011130	47	10448850	114304
104011130	50	10441174	11825
104011130	51	10441174	11825
104011130	52	10441174	11825
104011130	53	10441174	11825
104011130	54	10441174	11825
104011130	55	10441174	11825
104011130	56	10441174	11825
104011130	57	10441174	11825
104011130	58	10441174	11825
104011130	59	10441174	11825
104011130	60	10441174	11825
104011130	61	10441174	11825
104011130	62	10441174	11825
104011130	63	10441174	11825
104011130	64	10441174	11825
104011130	65	10441174	11825
104011130	66	10441174	11825
104011130	67	10441174	11825
104011130	68	10441174	11825
104011130	69	10441174	11825
104011130	70	10441174	11825
104011130	71	10441174	11825
104011130	72	10441174	11825
104011130	73	10441174	11825
104011130	74	10441174	11825
104011130	75	10441174	11825
104011130	76	10441174	11825
104011130	77	10441174	11825
104011130	78	10441174	11825
104011130	79	10441174	11825
104011130	80	10441174	11825
104011130	81	10441174	11825
104011130	82	10441174	11825
104011130	83	10441174	11825
104011130	84	10441174	11825
104011130	85	10441174	11825
104011130	86	10441174	11825
104011130	87	10441174	11825
104011130	88	10441174	11825
104011130	89	10441174	11825
104011130	90	10441174	11825
104011130	91	10441174	11825
104011130	92	10441174	11825
104011130	93	10441174	11825
104011130	94	10441174	11825
104011130	95	10441174	11825
104011130	96	10441174	11825
104011130	97	10441174	11825
104011130	98	10441174	11825
104011130	99	10441174	11825
104011130	100	10441174	11825

C. Reference with "Parts name index"

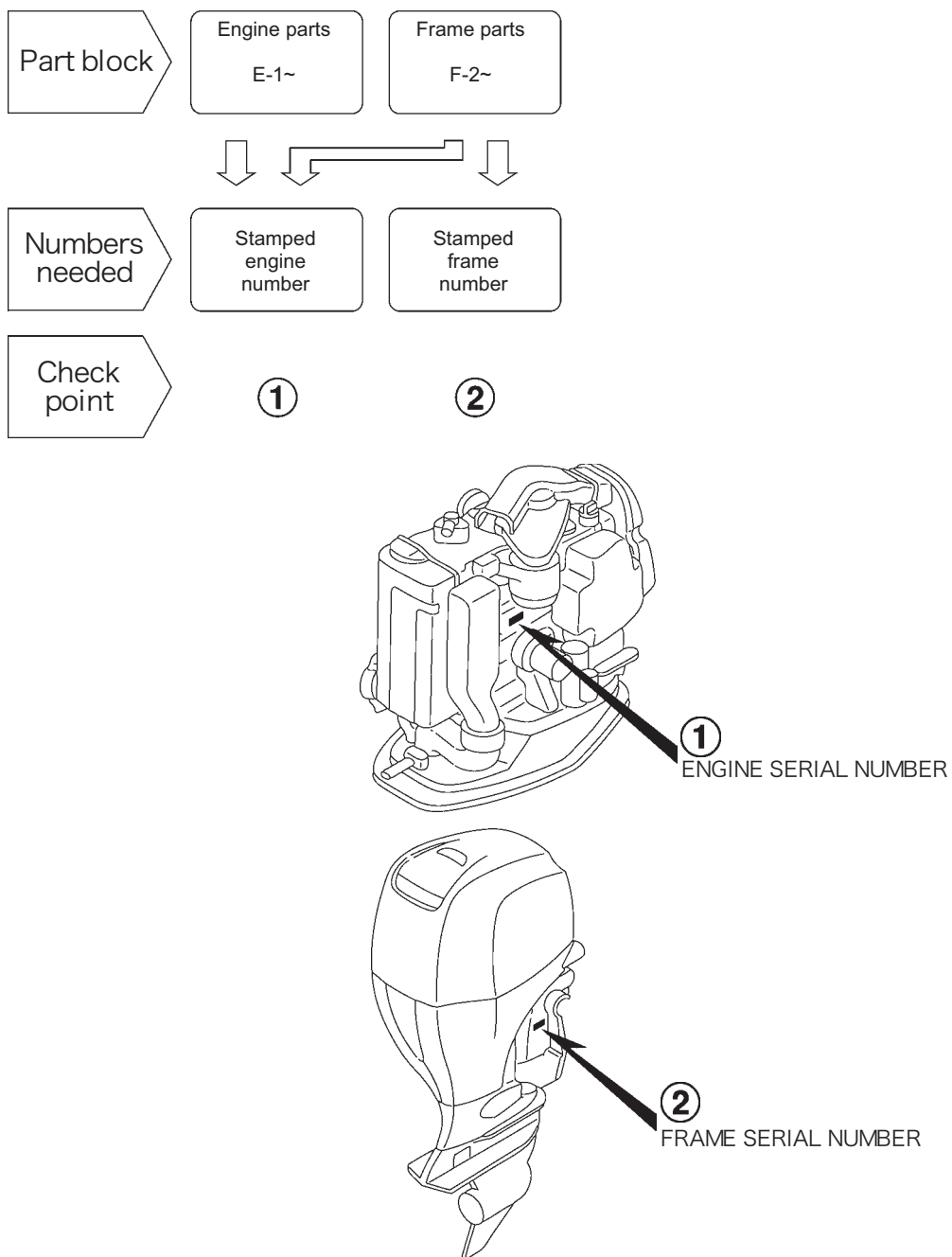
INDEX			
ACV	102415540	1515	10448850
ADJUST SCREW	104011130	47	10448850
ADJUSTING NUT	104011130	50	10441174
ADJUSTING SCREW	104011130	51	10441174
ADJUSTING SCREW	104011130	52	10441174
ADJUSTING SCREW	104011130	53	10441174
BE-UTL	104011130	54	10441174
BE-UTL	104011130	55	10441174
BE-UTL	104011130	56	10441174
BE-UTL	104011130	57	10441174
BE-UTL	104011130	58	10441174
BE-UTL	104011130	59	10441174
BE-UTL	104011130	60	10441174
BE-UTL	104011130	61	10441174
BE-UTL	104011130	62	10441174
BE-UTL	104011130	63	10441174
BE-UTL	104011130	64	10441174
BE-UTL	104011130	65	10441174
BE-UTL	104011130	66	10441174
BE-UTL	104011130	67	10441174
BE-UTL	104011130	68	10441174
BE-UTL	104011130	69	10441174
BE-UTL	104011130	70	10441174
BE-UTL	104011130	71	10441174
BE-UTL	104011130	72	10441174
BE-UTL	104011130	73	10441174
BE-UTL	104011130	74	10441174
BE-UTL	104011130	75	10441174
BE-UTL	104011130	76	10441174
BE-UTL	104011130	77	10441174
BE-UTL	104011130	78	10441174
BE-UTL	104011130	79	10441174
BE-UTL	104011130	80	10441174
BE-UTL	104011130	81	10441174
BE-UTL	104011130	82	10441174
BE-UTL	104011130	83	10441174
BE-UTL	104011130	84	10441174
BE-UTL	104011130	85	10441174
BE-UTL	104011130	86	10441174
BE-UTL	104011130	87	10441174
BE-UTL	104011130	88	10441174
BE-UTL	104011130	89	10441174
BE-UTL	104011130	90	10441174
BE-UTL	104011130	91	10441174
BE-UTL	104011130	92	10441174
BE-UTL	104011130	93	10441174
BE-UTL	104011130	94	10441174
BE-UTL	104011130	95	10441174
BE-UTL	104011130	96	10441174
BE-UTL	104011130	97	10441174
BE-UTL	104011130	98	10441174
BE-UTL	104011130	99	10441174
BE-UTL	104011130	100	10441174

Part catalogue structure

Part No.	Part No.	Description	Q ty	Remarks
E-15	HCY-H01A-000	SCREW SET	1	
E-15	HCY-H103H-000	GASKET, THROTTLE BODY	1	
E-15	HCY-H1800-001	THROTTLE BODY ASSY.	1	
E-15	HCY-H1804-000	SPACER, THROTTLE BODY	1	
E-15	HCY-H600-000	GASKET, EAC VALVE	1	
E-15	HPY-H1208-000	SPRING, AIR FLOW TUBE	1	
E-15	HCY-H1315-000	BAND, AIR FLOW	1	
E-15	HCY-H1314-000	GROMMET, SLENDER	1	
E-15	HCY-H1910-010	CABLE COMPL, THROTTLE	2	
E-15	H0W-H186P-003	SENSOR ASSY., AIR TEMP	1	
E-15	HCY-H0200-003	VALVE ASSY., EAC	1	
E-15	HCY-H0102-000	GROMMET, UNDER CASE	4	
E-15	H0W-H0013-000	BOLT-WASHER, BX25	2	
E-15	HCY-H0013-000	BOLT-WASHER, BX30	1	
E-15	HCY-H0030-000	BOLT, FLANGE, BX32	2	
E-15	HCY-H0034-000	BOLT, FLANGE, BX40	2	
E-15	HCY-H0033-000	BOLT, FLANGE, BX35	4	
E-15	HCY-H0030-000	WASHER, PLAN, 6MM	2	
E-15	HR0A-H1303-002	O-RING	1	
E-15	HCY-H1910-010	COLLAR, COLLUMET CASE	4	
E-15	H00-HK01-0K100	DOMEL, PIN, 6X10	2	
E-15	HCY-H1940-010	COVER ASSY., COOLING FAN	1	

- ① Fig. Number
- ② Fig. Title
- ③ Ref. Number
- ④ Parts Number
- ⑤ Parts Name
- ⑥ Q.ty
- ⑦ Remarks
- ⑧ Defferent specification
- ⑨ Direction Arrow
- ⑩ Parts enclosed within a dotted line are sub assembly parts.
- ⑪ A solid arrow indicates the block No. the part in question is connected to.

How to check the part block and serial numbers



Models, parts catalogue codes and applicable serial numbers

- Models, parts catalogue codes and applicable serial Nos. given in this parts catalogue can be identified as follows.

Model	Type	Parts catalogue type	Engine		Applicable engine serial No.	Applicable frame serial No.
			Model	Type		
BFT 250A	LA	LA	BF 250A	SE1	BEBJJ-1000001~	BBJJ-6000001~
	XA	XA				
	XCA	XCA				BBJJ-7000001~
	XXA	XXA				BBJJ-6000001~
	XXCA	XXCA				BBJJ-7000001~

Features of each type

- See the following table for the features of each type. (Items in brackets are optional)

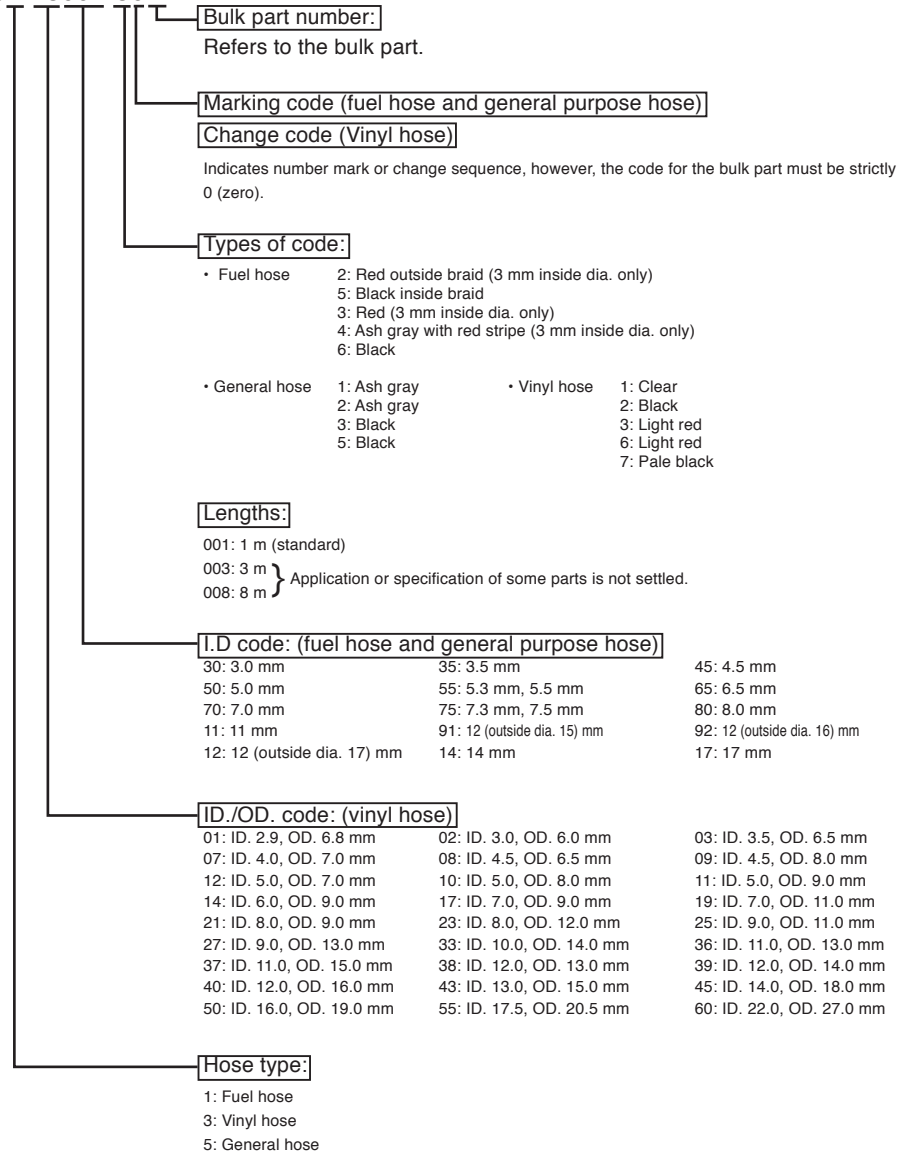
Specifications		Model	BFT 250A				
		Type	LA	XA	XCA	XXA	XXCA
Transom height	508 mm	●					
	635 mm		●	●			
	762 mm				●	●	
Gear case cover				●		●	
Trim tab		●	●		●		
Counter rotation				●		●	

Fuel hose, general purpose hoses and vinyl hose

- The standard part fuel hose, general purpose hose and vinyl hose may be substituted by the coiled bulk part.
- When ordering the standard part fuel hose, general purpose hose and vinyl hose use the bulk part number written in the parts catalog in brackets () underneath the part name.
- When exchanging the hose, cut and use at the specified length as mentioned in the part name. (For the method of cutting the bulk part, and method of filling out orders etc., please refer to the instructions issued with the bulk part.)

Bulk part number of fuel hose, general purpose hose and vinyl hose.

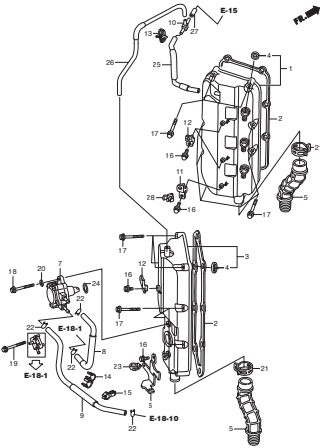
Example: 95001-75001-50M



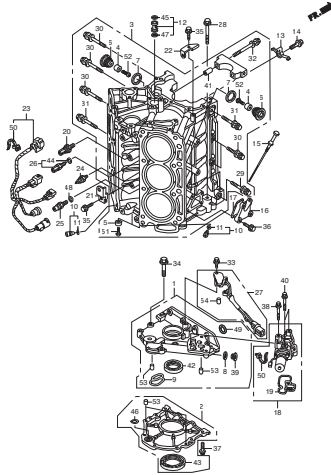
CAUTION: It is DANGEROUS to confuse the fuel hose with the general purpose hose or vinyl hose.

Never use a general purpose hose or vinyl hose in place of a fuel hose or vice versa. Always use the correct bulk part in the parts catalogue, according to the service manual or the instructions issued with the bulk part.

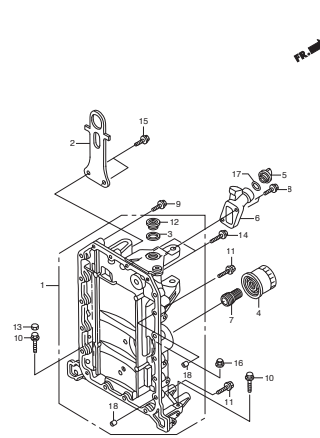
E-1 CYLINDER HEAD COVER



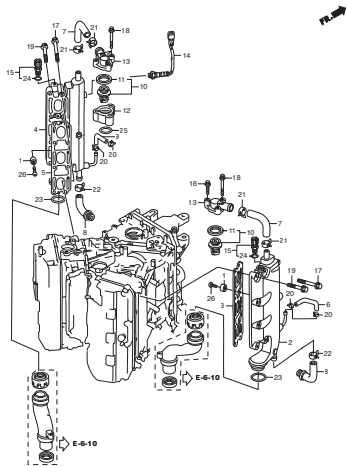
E-3 CYLINDER BLOCK



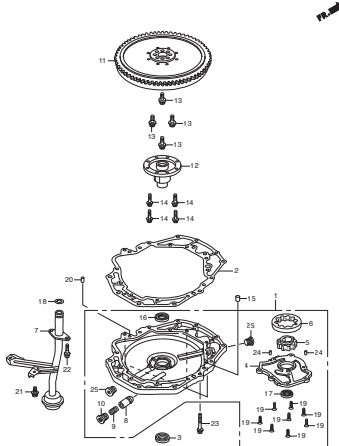
E-3-10 CRANKCASE



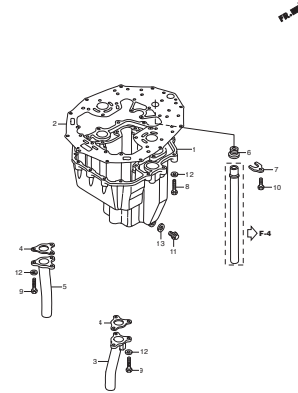
E-4 EXHAUST MANIFOLD/THERMOSTAT



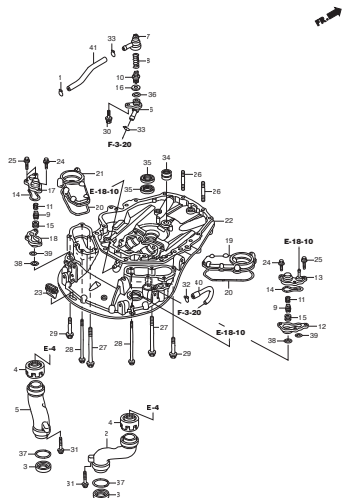
E-5 OIL PUMP/FLYWHEEL



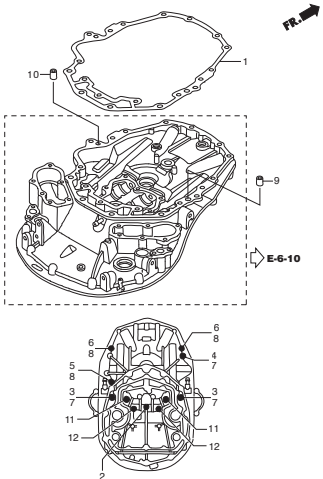
E-6 OIL PAN



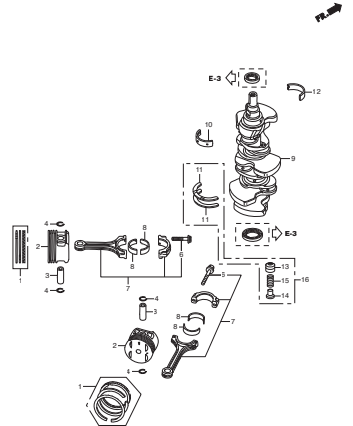
E-6-10 MOUNT CASE



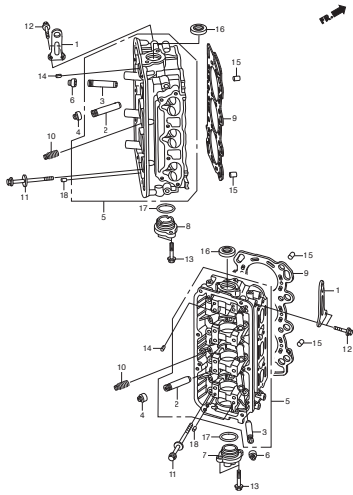
E-6-20 MOUNT CASE BOLT



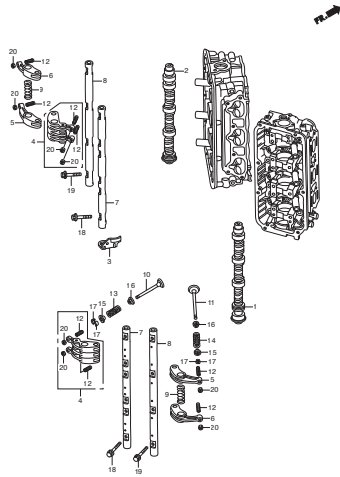
E-7 CRANKSHAFT/PISTON



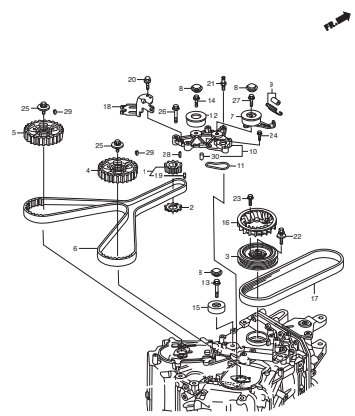
E-9 CYLINDER HEAD



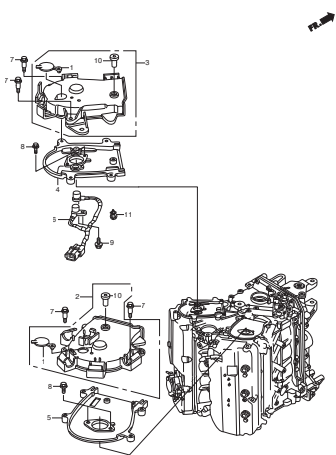
E-9-10 CAMSHAFT/ROCKER ARM



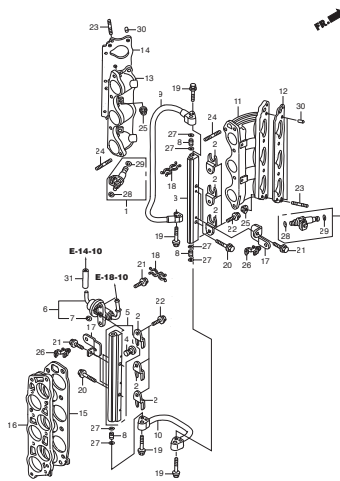
E-13 TIMING BELT



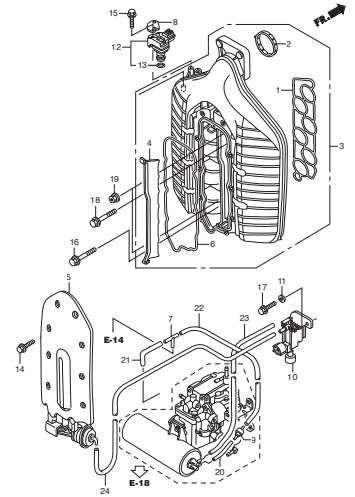
E-13-10 TIMING BELT COVER



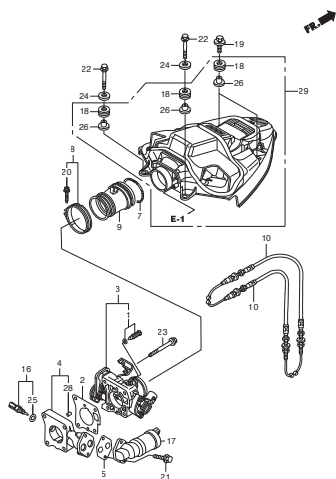
E-14 FUEL PIPE/INJECTOR



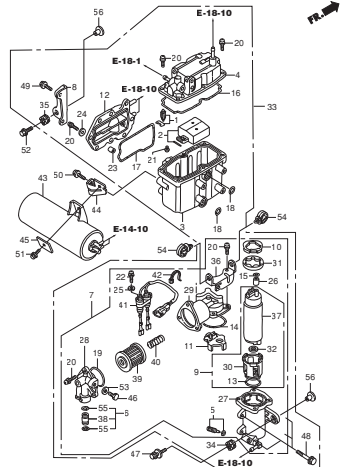
E-14-10 INTAKE MANIFOLD



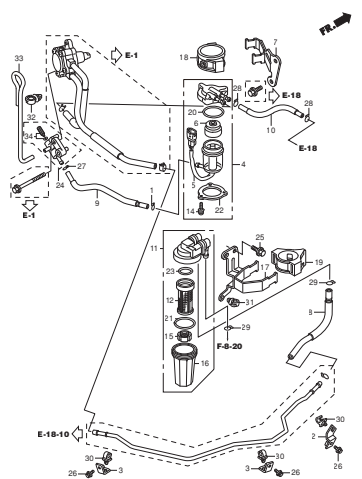
E-15 THROTTLE BODY



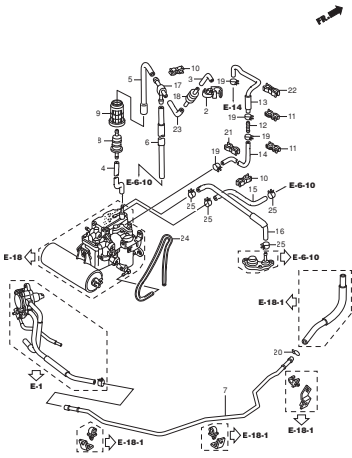
E-18 VAPOR SEPARATOR ASSY



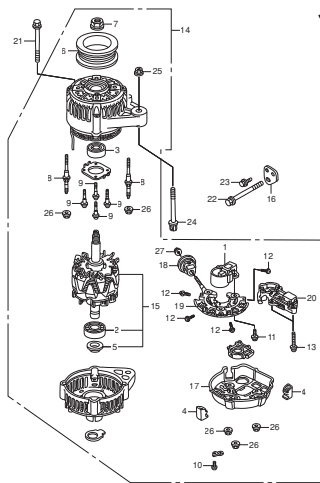
E-18-1 WATER SEPARATOR/FUEL STRAINER



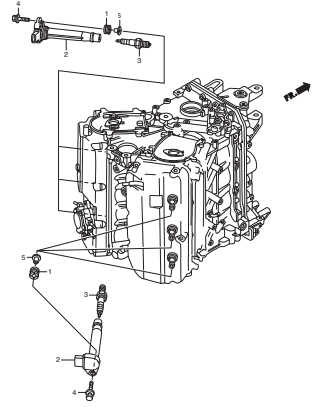
E-18-10 PIPING



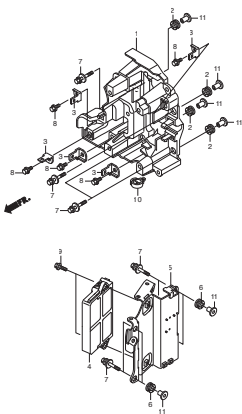
E-19 A.C.GENERATOR



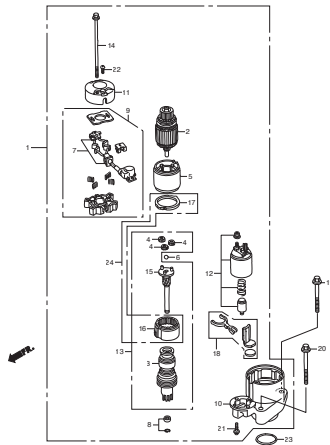
E-20 SPARK PLUG



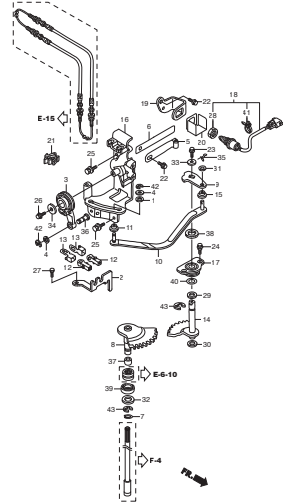
E-20-10 ELECTRONIC CONTROL UNIT



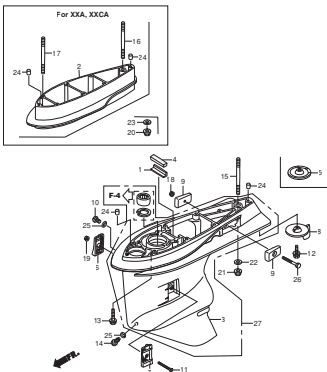
E-21 STARTER MOTOR



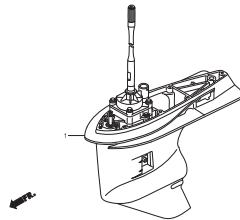
F-2 SHIFT SHAFT



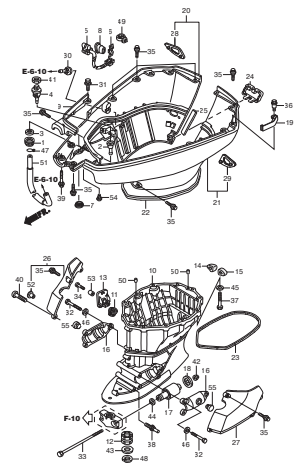
F-3 GEAR CASE



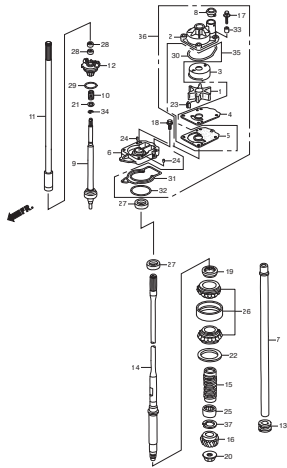
F-3-10 GEAR CASE ASSY



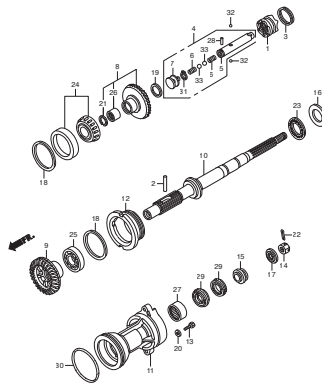
F-3-20 EXTENSION CASE



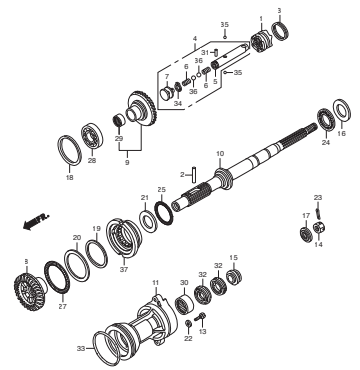
F-4 WATER PUMP/VERTICAL SHAFT



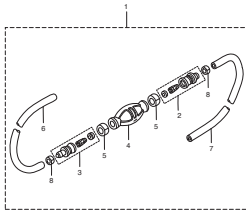
F-5 PROPELLER SHAFT



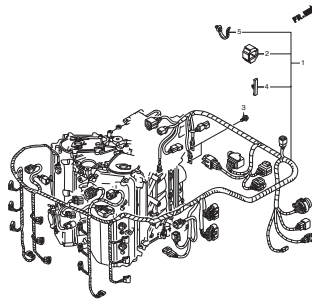
F-5-1 PROPELLER SHAFT (COUNTER ROTATION)



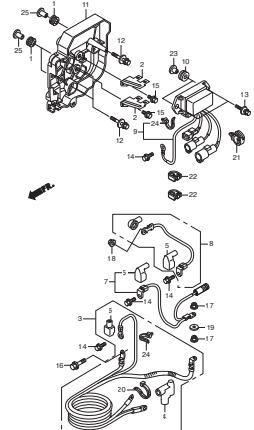
F-6 FUEL TUBE



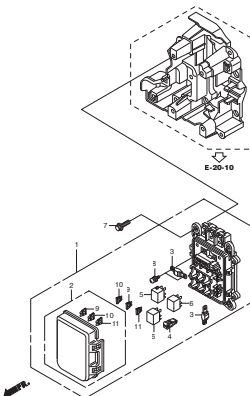
F-7 WIRE HARNESS



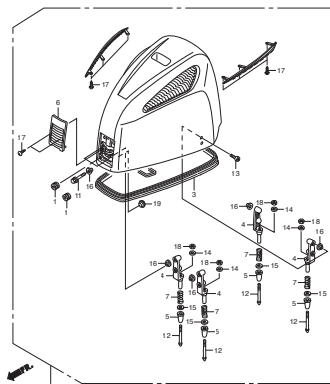
F-7-10 STARTER CABLE



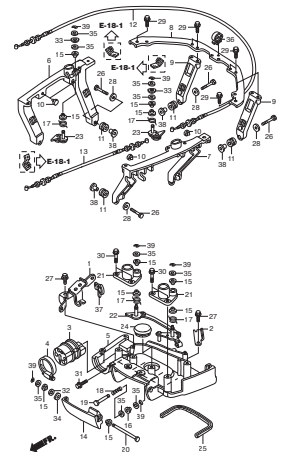
F-7-20 FUSE BOX/RELAY



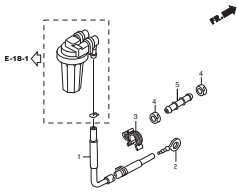
F-8 ENGINE COVER



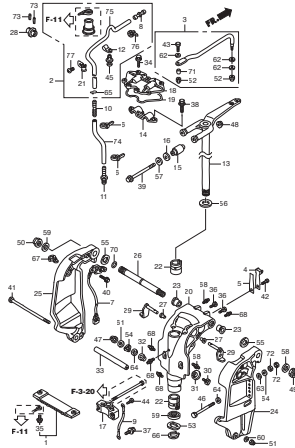
F-8-10 FR.COVER BRACKET/FR.LOCK SHAFT



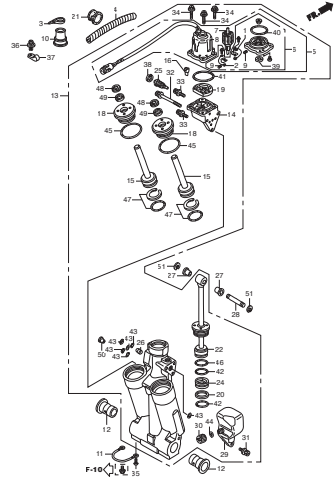
F-8-20 FUEL TUBE (2)



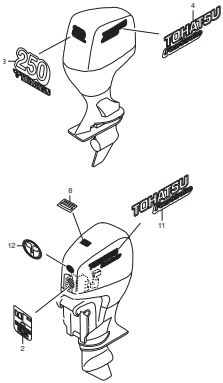
F-10 STERN BRACKET/SWIVEL CASE



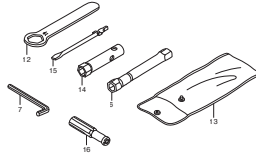
F-11 POWER TRIM-TILT



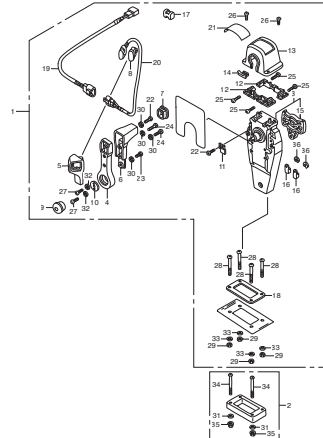
F-12 LABEL



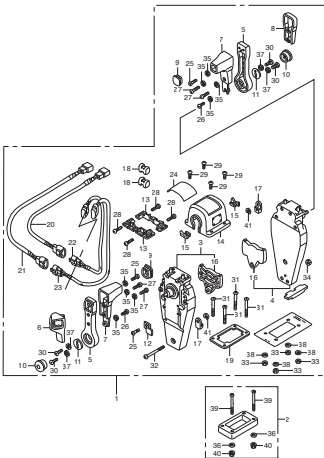
F-13 TOOL



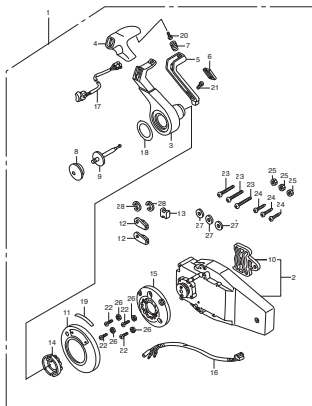
FOP-1 REMOTE CONTROL (TOP MOUNT SINGLE TYPE) (RIGHT)



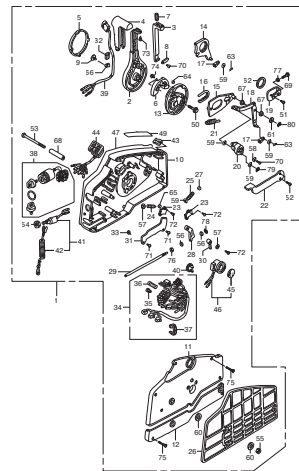
FOP-1-2 REMOTE CONTROL (TOP MOUNT DUAL TYPE) (RIGHT)



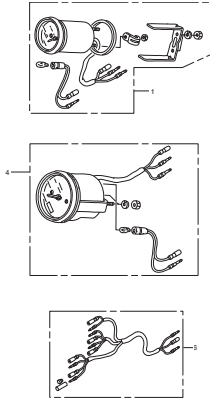
FOP-1-4 REMOTE CONTROL (FRUSH MOUNT TYPE) (RIGHT)



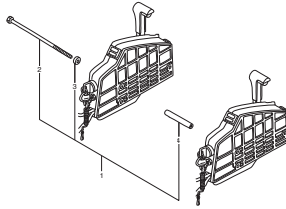
FOP-1-6 REMOTE CONTROL



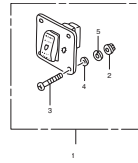
FOP-3 METER



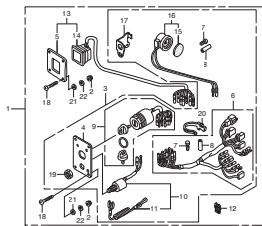
FOP-5 BOLT KIT



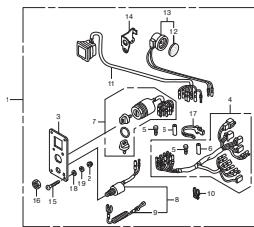
FOP-6 SWITCH PANEL KIT



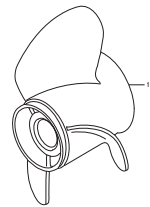
FOP-7 CONTROL PANEL (1)



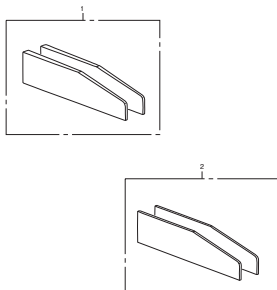
FOP-7-1 CONTROL PANEL (2)



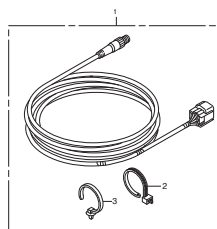
FOP-8 PROPELLER



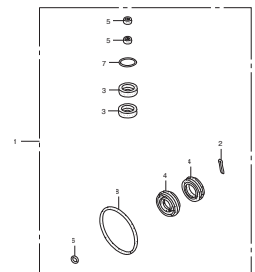
FOP-9 TRIM ADJUST PLATE SET



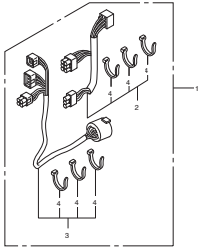
FOP-10 INTERFACE CABLE KIT

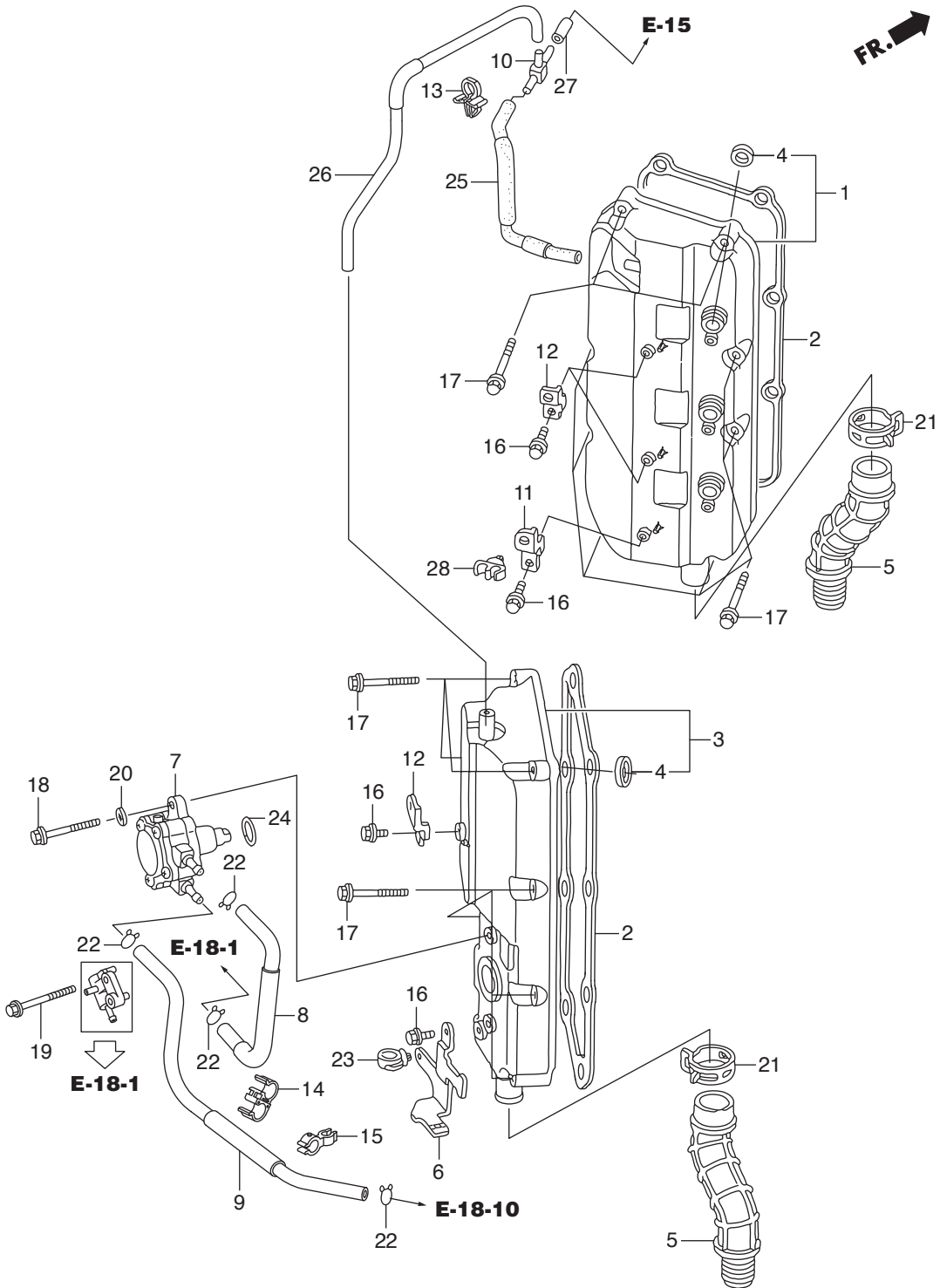


FOP-12 GEAR CASE KIT



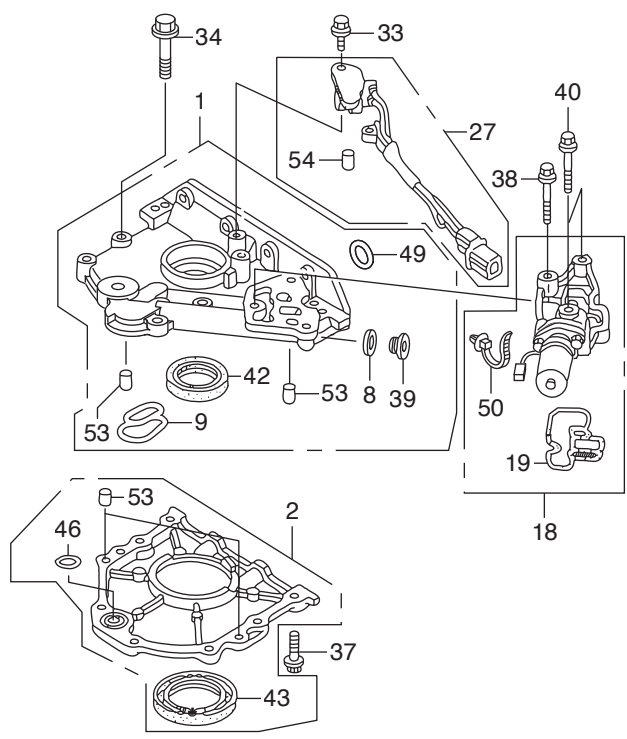
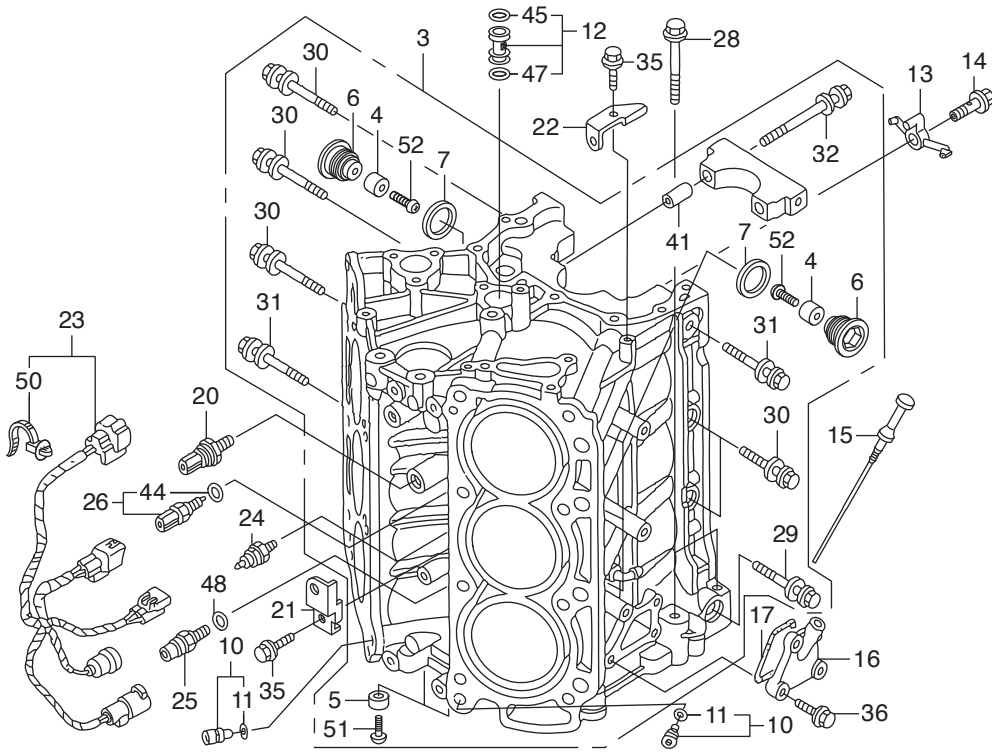
FOP-13 PANEL INTERFACE CABLE SET





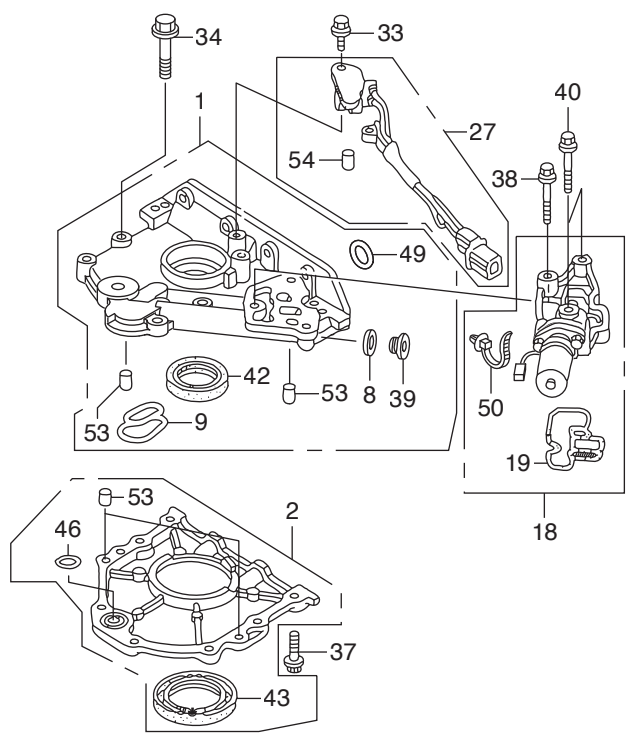
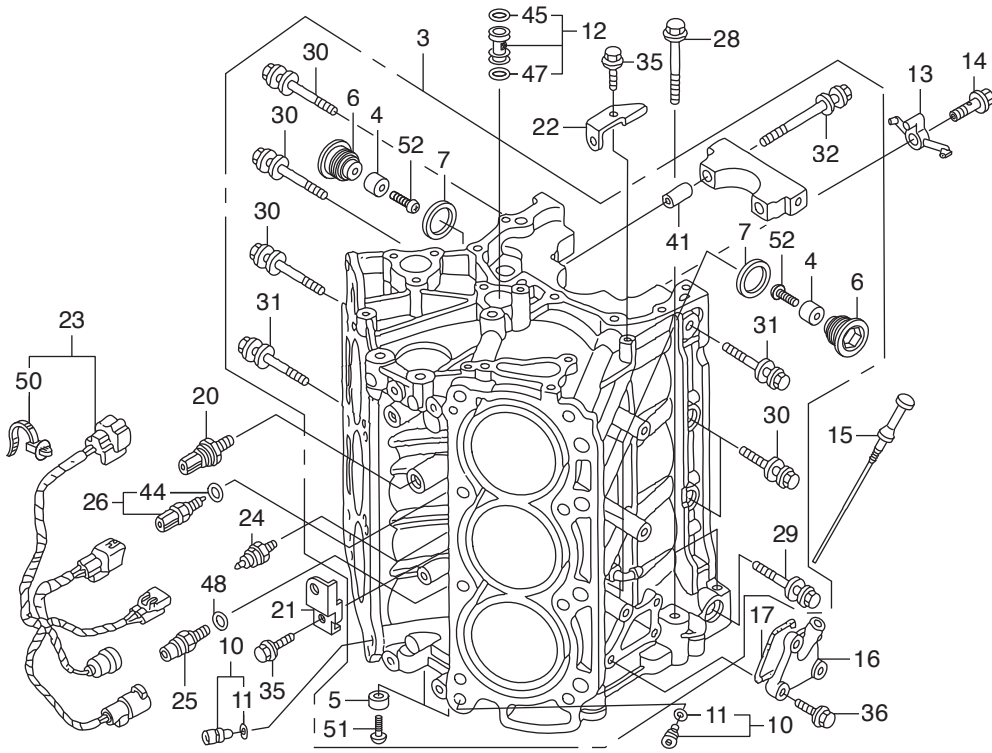
Ref.No.	Part No.	Description	Q' ty	Remarks	
			BFT250A		
E-1	1	HZY3-12310-405ZA	COVER, R. CYLINDER HEAD	1	*NH8* DARK GRAY
E-1	2	HZY3-12312-000	PACKING, HEAD COVER	2	
E-1	3	HZY3-12320-405ZA	COVER, L. CYLINDER HEAD	1	*NH8* DARK GRAY
E-1	4	HP08-12342-004	SEAL, SPARK PLUG TUBE(NOK)	6	
E-1	5	HZY3-15425-010	TUBE, OIL	2	
E-1	6	HZY3-16203-000	BRACKET, SOLENOID VALVE	1	
E-1	7	HZX2-16700-003	PUMP ASSY., FUEL	1	
E-1	8	HZX2-16870-C00	TUBE COMP., FUEL(C)	1	
E-1	9	HZY3-16895-C00	TUBE COMP. G, FUEL	1	
E-1	10	HMT2-17193-000	T-JOINT	1	
E-1	11	HZW9-32114-730	BRACKET, CLIP B	1	
E-1	12	HZY3-32129-000	BRACKET C, HARNESS CLIP	3	
E-1	13	HHE0-50310-003	CLIP A, WIRE	1	
E-1	14	HSE0-53740-953	CLIP, SENSOR HOSE	1	
E-1	15	HSD9-54316-013	CLIP, SHIFT WIRE	1	
E-1	16	HZW9-90011-000	BOLT, FLANGE, 6X14(CT200)	5	
E-1	17	HZW9-90019-000	BOLT, FLANGE, 6X35	16	
E-1	18	HZY3-90036-000	BOLT, FLANGE, 8X32	1	
E-1	19	HZW4-90126-000	BOLT, FLANGE, 8X45	1	
E-1	20	HZY3-90406-000	WASHER, PLAIN, 8MM	1	
E-1	21	HZY3-90602-020	CLAMP, TUBE(D32.5)	2	
E-1	22	HZV0-90604-000	CLIP, TUBE(B12)	4	
E-1	23	HZB7-90691-003	CLIP, HARNESS	1	
E-1	24	HKT7-91305-003	O-RING, 37X2.4(ARAI)	1	
E-1	25	HZY3-91401-A00	TUBE COMP. A, BREATHER	1	
E-1	26	HZY3-91402-020	TUBE B, BREATHER	1	
E-1	27	HZY3-91403-000	TUBE C, BREATHER	1	
E-1	28	HSK7-91566-003	CLIP D, WASHER TUBE	1	

FR. 



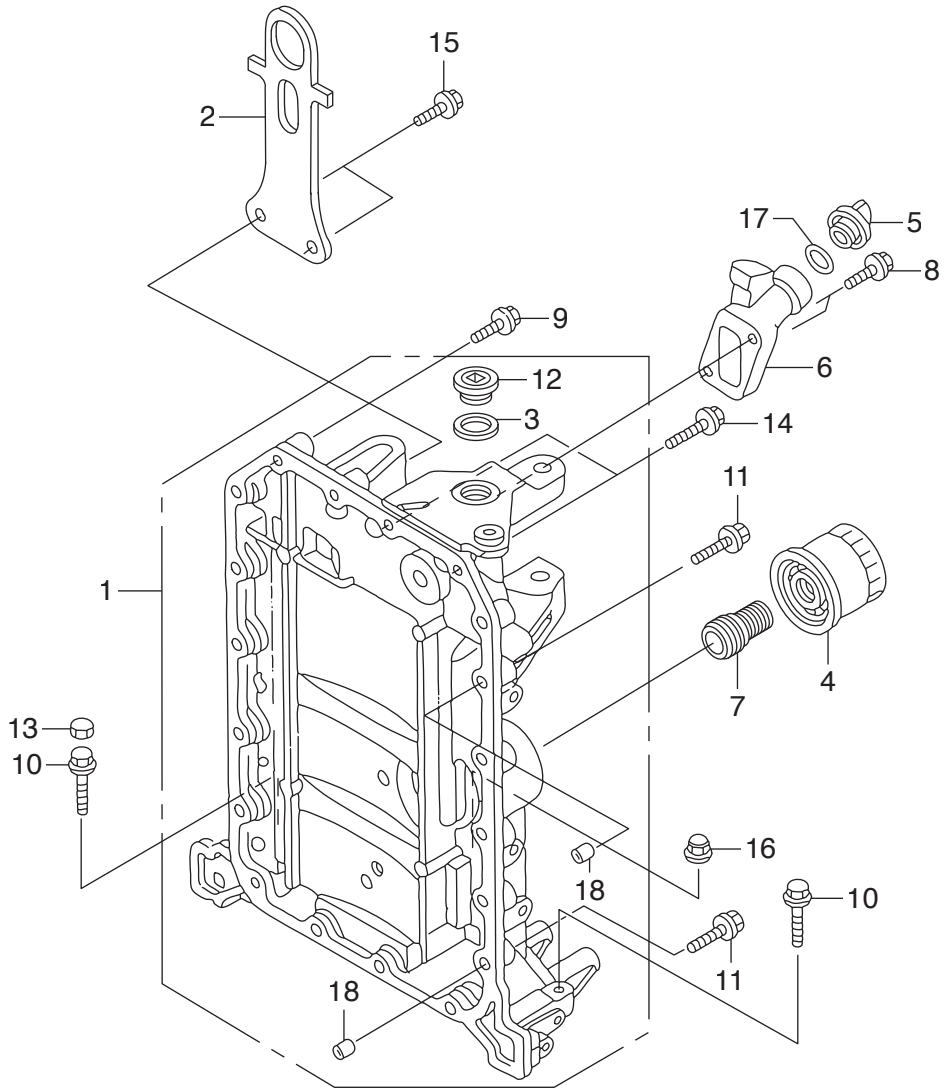
Ref.No.	Part No.	Description	Q' ty	Remarks	
			BFT250A		
E-3	1	HZY3-11200-010ZA	COVER ASSY., CRANKCASE UPPER	1	*NH8* DARK GRAY
E-3	2	HZY3-11300-C00	CASE ASSY., OIL SEAL	1	
E-3	3	HZX2-12000-405ZA	BLOCK ASSY., CYLINDER	1	*NH8* DARK GRAY
E-3	4	HZV4-12155-A00	METAL, ANODE	6	
E-3	5	HZY3-12155-000	METAL, ANODE	2	
E-3	6	HZY3-12164-000	BOLT, SEALING, 22MM	6	
E-3	7	HZY3-12171-305	WASHER, SEALING, 22MM	6	
E-3	8	HZV5-12214-000	WASHER, SEALING(22MM)	1	
E-3	9	HP8A-15115-A01	PACKING, OIL HOLE	1	
E-3	10	HP8A-15140-A00	ORIFICE ASSY., OIL CONTROL	2	
E-3	11	HP8A-15142-A00	O-RING, 8.8X2.4	2	
E-3	12	HP8A-15150-A00	JOINT ASSY., OIL PIPE	1	
E-3	13	HR70-15280-A00	BODY, OIL JET	3	
E-3	14	HRJA-15290-000	BOLT COMP., OIL JET	3	
E-3	15	HZX2-15655-000	GAUGE COMP., OIL LEVEL	1	
E-3	16	HZY3-15656-000	COVER, OIL LEVEL GAUGE	1	
E-3	17	HZY3-15657-000	PACKING, OIL LEVEL GAUGE	1	
E-3	18	HZY3-15810-003ZA	VALVE ASSY., SPOOL	1	*NH8* DARK GRAY
E-3	19	HZY3-15825-003	FILTER ASSY., SPOOL VALVE	1	
E-3	20	HRNA-30530-A01	SENSOR COMP., KNOCK	1	
E-3	21	HZW9-32114-730	BRACKET, CLIP B	1	
E-3	22	HZY3-32116-000	BRACKET B, HARNESS CLIP	1	
E-3	23	HZY3-32193-C00	CORD, SWITCH	1	
E-3	24	HZW9-35490-003	SWITCH ASSY., OIL PRESSURE	1	
E-3	25	HZY3-35490-004	SWITCH ASSY., OIL PRESSURE	1	
E-3	26	HZY3-35673-003	SENSOR ASSY., WATER	1	TEMPERATURE
E-3	27	HZY3-35700-003	SENSOR ASSY., CRANK	1	
E-3	28	HZY3-90001-000	BOLT, FLANGE, 12X95	2	
E-3	29	HZY3-90006-003	BOLT-WASHER, 10X109	1	

FR. 



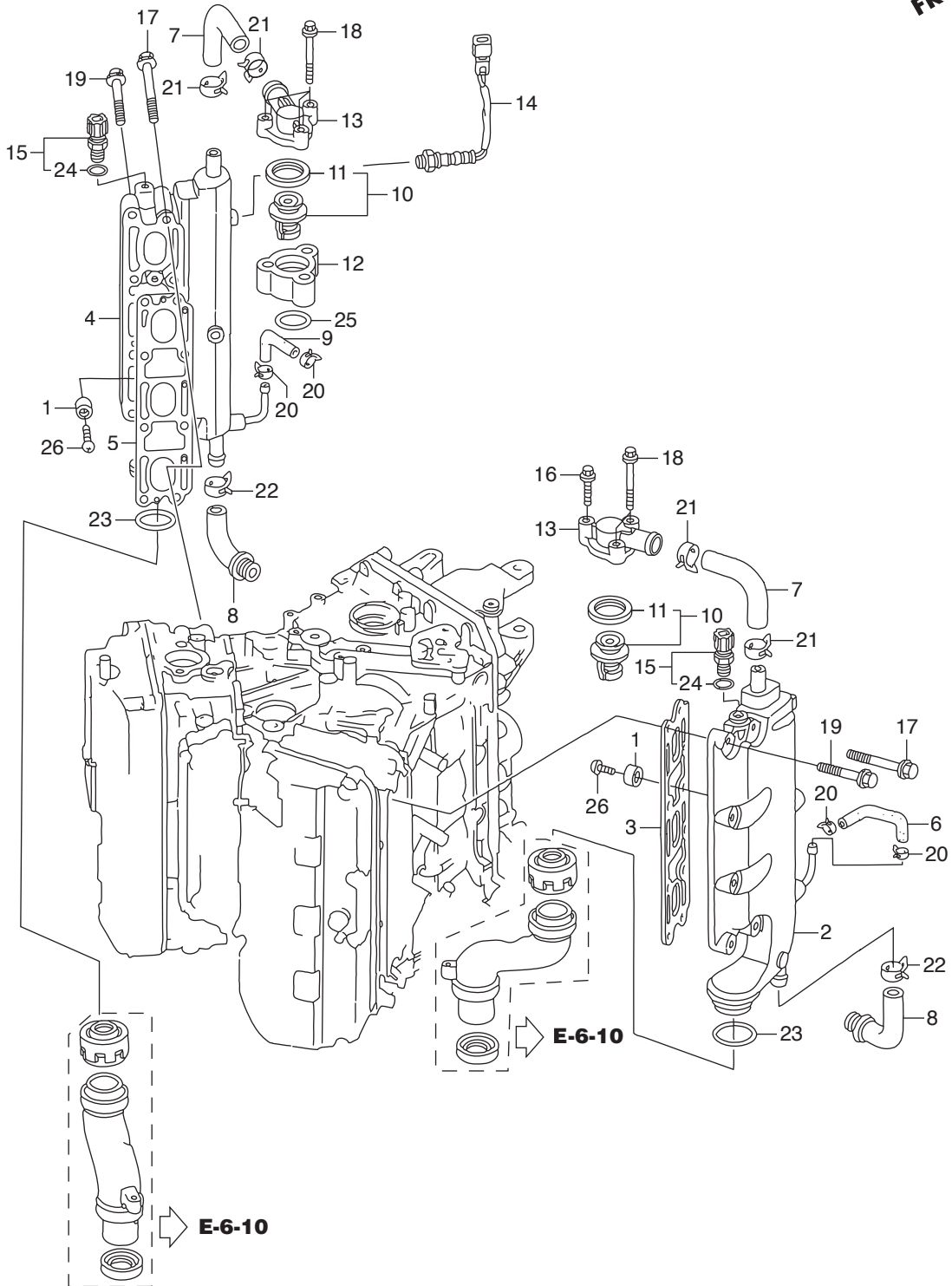
Ref.No.	Part No.	Description	Q' ty	Remarks	
			BFT250A		
E-3	30	HZY3-90008-003	BOLT-WASHER, 10X60	5	
E-3	31	HZY3-90009-003	BOLT-WASHER, 10X80	2	
E-3	32	HRCA-90014-A01	BOLT-WASHER, 11X105	8	
E-3	33	HZY3-90017-000	BOLT, FLANGE, 6X16	1	
E-3	34	HZW9-90019-000	BOLT, FLANGE, 6X35	7	
E-3	35	HZY3-90021-000	BOLT, FLANGE, 6X14	2	
E-3	36	HZY3-90028-000	BOLT, FLANGE, 6X18	4	
E-3	37	HZY3-90030-000	BOLT, FLANGE, 6X22	8	
E-3	38	HZY3-90038-000	BOLT, FLANGE, 8X75	1	
E-3	39	HZV5-90081-010	BOLT, SEALING, 22MM	1	
E-3	40	HZW4-90156-000	BOLT, FLANGE, 8X50	2	
E-3	41	HPH7-90715-000	DOWEL PIN, 13X37	8	LA, XA, XCA
E-3	41	H5G0-90715-A00	DOWEL PIN, 13X37	8	XXA, XXCA
E-3	42	HZY3-91212-003	OIL SEAL, 41X66X8	1	
E-3	43	HPNA-91214-014	OIL SEAL, 80X98X10(ARAI)	1	
E-3	44	HPNA-91307-003	O-RING, 9.5X1.9	1	
E-3	45	HP8A-91308-A01	O-RING, 18.3X3.5	1	
E-3	46	HPK1-91308-003	O-RING, 26.2X2.4(NOK)	1	
E-3	47	HP8A-91309-A01	O-RING, 16.3X3.5	1	
E-3	48	HPR3-91319-003	O-RING, 13X1.5(ARAI)	1	
E-3	49	HP0X-91321-003	O-RING, 25X2.4(NOK)	1	
E-3	50	HS0A-91541-003	CLIP, HARNESS BAND(BLACK)	2	(145MM)
E-3	51	HCO-93500-05016-4J	SCREW	2	
E-3	52	HCO-93500-05020-4J	SCREW	6	
E-3	53	HCO-94301-06100	DOWEL PIN, 6X10	4	
E-3	54	HCO-94303-05080	DOWEL PIN, 5X8	1	

FR. 



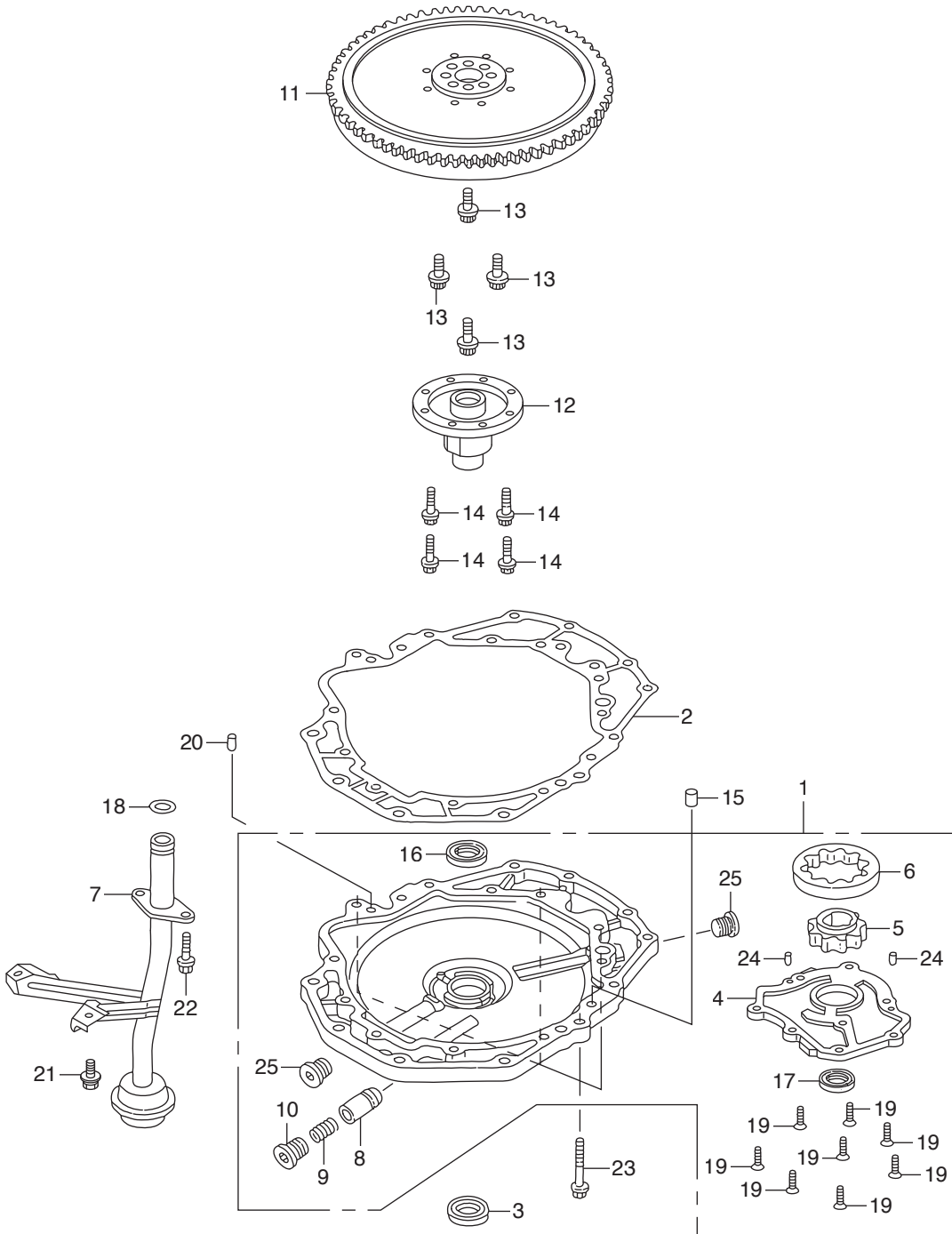
Ref.No.	Part No.	Description	Q' ty	Remarks	
			BFT250A		
E-3-10	1	HZY3-11100-415	CRANKCASE COMP.	1	
E-3-10	2	HZX2-11911-000	HANGER, ENGINE	1	
E-3-10	3	HZV5-12214-000	WASHER, SEALING(22MM)	1	
E-3-10	4	HRTA-15400-004	CARTRIDGE, OIL FILTER	1	(TOYO ROKI)
E-3-10	5	H921-15611-000	CAP, OIL(YELLOW)	1	
E-3-10	6	HZW1-15631-000	EXTENSION, OIL FILLER	1	
E-3-10	7	HPH1-90015-013	HOLDER, OIL FILTER	1	
E-3-10	8	HZY3-90030-000	BOLT, FLANGE, 6X22	2	
E-3-10	9	HZY3-90031-000	BOLT, FLANGE, 6X32	15	
E-3-10	10	HZY3-90041-000	BOLT, FLANGE, 10X55	2	
E-3-10	11	HZY3-90063-000	BOLT, FLANGE, 6X37	2	
E-3-10	12	HZV5-90081-010	BOLT, SEALING, 22MM	1	
E-3-10	13	HZY3-90082-003	CAP, BOLT, 10MM	1	
E-3-10	14	HZW4-90147-000	BOLT, FLANGE, 6X55	2	
E-3-10	15	HZW4-90151-000	BOLT, FLANGE, 8X25	2	
E-3-10	16	HZY3-90204-000	NUT, FLANGE CAP, 10MM	2	
E-3-10	17	H805-91301-000	O-RING, 26X2.7	1	
E-3-10	18	HCO-94301-08140	DOWEL PIN, 8X14	2	

FR. →



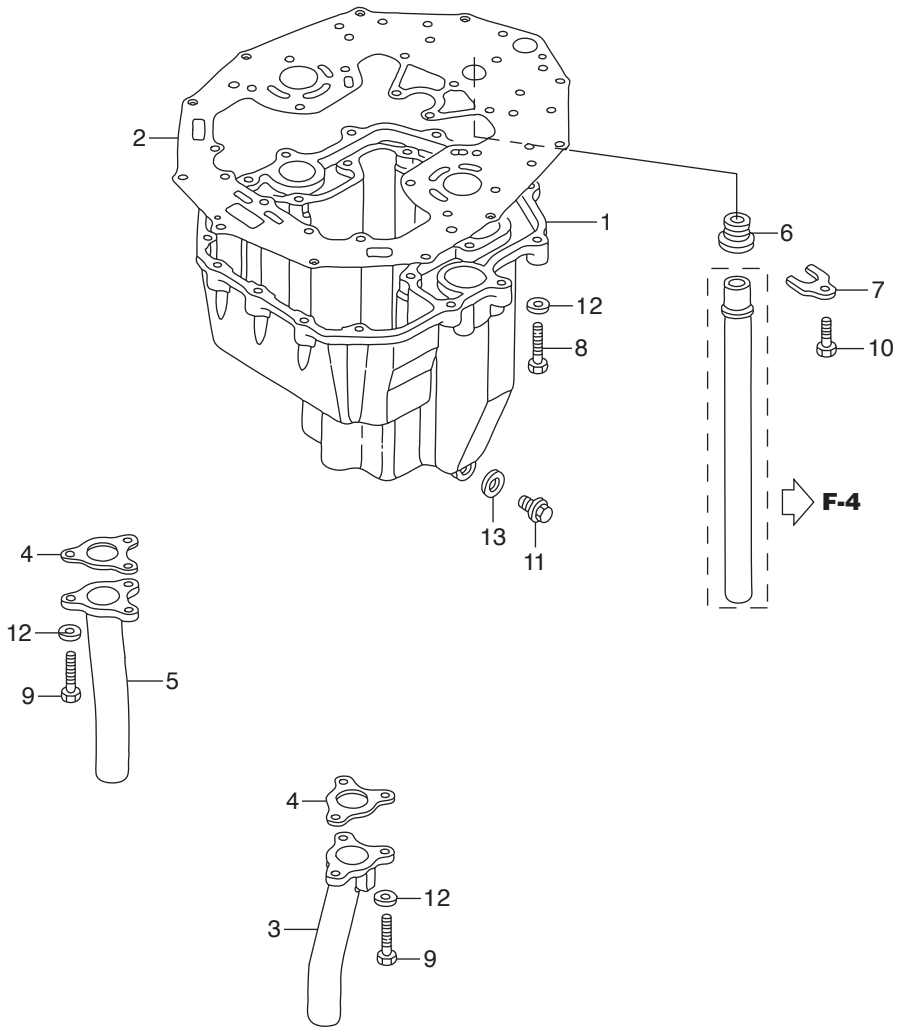
Ref.No.	Part No.	Description	Q' ty	Remarks	
			BFT250A		
E-4	1	HZV5-12155-000	METAL, ANODE	4	
E-4	2	HZY3-18110-010ZA	MANIFOLD COMP., R. EX.	1	*NH8*DARK GRAY
E-4	3	HZY3-18115-003	GASKET, R. EX. MANIFOLD	1	
E-4	4	HZY3-18120-C01ZA	MANIFOLD COMP., L. EX.	1	*NH8*DARK GRAY
E-4	5	HZY3-18125-003	GASKET, L. EX. MANIFOLD	1	
E-4	6	HZY3-19255-000	TUBE, R. WATER RETURN	1	
E-4	7	HZY3-19256-010	TUBE, WATER RELIEF	2	
E-4	8	HZY3-19257-000	TUBE, WATER	2	
E-4	9	HZY3-19261-000	TUBE, L. WATER RETURN	1	
E-4	10	HZX2-19300-003	THERMOSTAT ASSY.	2	
E-4	11	HZX2-19303-003	RUBBER, RING	2	
E-4	12	HZX2-19313-000ZA	SPACER, THERMOSTAT COVER	1	*NH8*DARK GRAY
E-4	13	HZX2-19315-000ZA	COVER, THERMOSTAT	2	*NH8*DARK GRAY
E-4	14	HZY3-35655-C01	SENSOR, OXYGEN	1	
E-4	15	HZY3-35673-003	SENSOR ASSY., WATER	2	TEMPERATURE
E-4	16	HZW9-90019-000	BOLT, FLANGE, 6X35	1	
E-4	17	HZY3-90027-000	BOLT, FLANGE, 8X60	8	
E-4	18	HZY3-90034-000	BOLT, FLANGE, 6X60	5	
E-4	19	HZW4-90155-000	BOLT, FLANGE, 8X40	8	
E-4	20	HZY3-90601-030	CLAMP, TUBE(D10.5)	4	
E-4	21	HZY3-90603-020	CLAMP, TUBE(D29)	4	
E-4	22	HZY3-90604-020	CLAMP, TUBE(D21)	2	
E-4	23	HZY3-91301-003	O-RING, 66.4X3.1	2	
E-4	24	HPNA-91307-003	O-RING, 9.5X1.9	2	
E-4	25	HSD4-91356-952	O-RING, 31.5X2.4(ARAI)	1	
E-4	26	HCO-93500-06018-4J	SCREW, PAN, 6X18	4	

FR. 

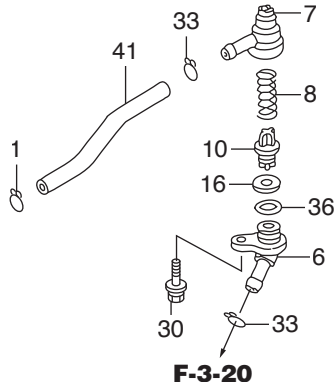


Ref.No.	Part No.	Description	Q' ty	Remarks	
			BFT250A		
E-5	1	HZY3-15100-000ZA	PUMP ASSY., OIL	1	*NH8*DARK GRAY
E-5	2	HZY3-15112-013	PACKING, OIL PUMP BODY	1	
E-5	3	HZY3-15113-000	RUBBER, OIL PUMP	1	
E-5	4	HZY3-15121-000	COVER, OIL PUMP	1	
E-5	5	HZY3-15131-405	ROTOR, OIL PUMP INNER	1	
E-5	6	HZY3-15132-405	ROTOR, OIL PUMP OUTER	1	
E-5	7	HZY3-15220-020	STRAINER COMP., OIL	1	
E-5	8	HPE0-15231-000	VALVE, RELIEF	1	
E-5	9	HPG6-15232-000	SPRING, RELIEF VALVE	1	
E-5	10	HPC6-15233-000	BOLT, SEALING, 18MM	1	
E-5	11	HZX2-31110-000ZA	FLYWHEEL COMP.	1	*TBLACK*BLACK
E-5	12	HZY3-31116-000	BOSS, FLYWHEEL	1	
E-5	13	HZX2-90001-000	BOLT, 12MM	8	
E-5	14	HZW5-90002-013	BOLT, SPECIAL, 8MM	8	
E-5	15	HPW5-90701-000	DOWEL PIN, 14X15	1	
E-5	16	HZW5-91201-003	OIL SEAL, 46X60X9	1	
E-5	17	HP01-91212-003	OIL SEAL, 31X46X7(NOK)	1	
E-5	18	HPC6-91324-000	O-RING, 20.6X2.6	1	
E-5	19	HCO-93600-06016-0A	SCREW, FLAT, 6X16	8	
E-5	20	HCO-94302-10160	PIN B, DOWEL, 10X16	1	
E-5	21	HCO-95701-06014-09	BOLT, FLANGE, 6X14	2	
E-5	22	HCO-95701-06018-09	BOLT, FLANGE, 6X18	2	
E-5	23	HCO-95701-08030-09	BOLT, FLANGE, 8X30	4	
E-5	24	HCO-96220-50080	ROLLER, 5X8	2	
E-5	25	HZV5-90081-010	BOLT, SEALING, 22MM	2	

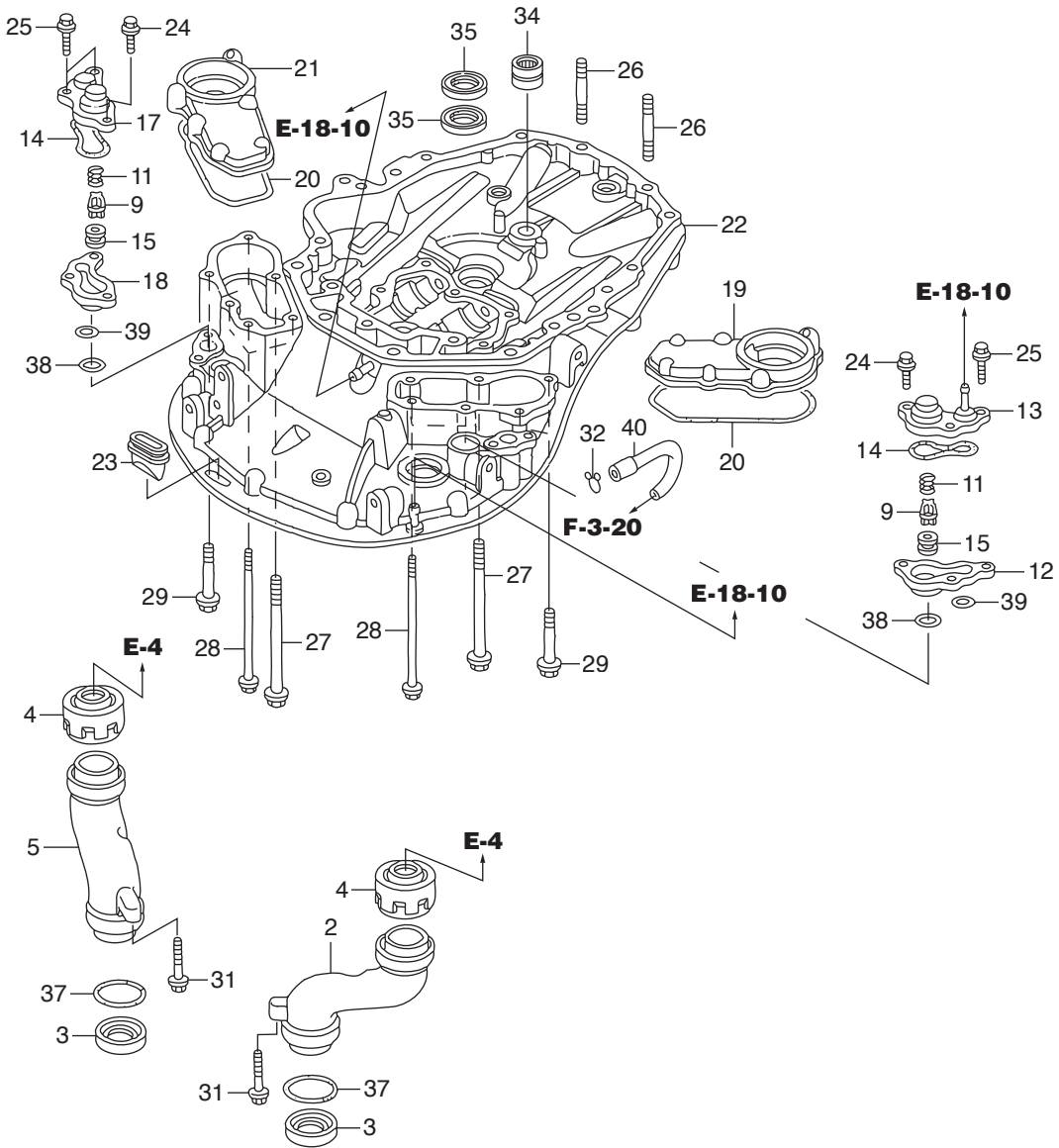
FR. 



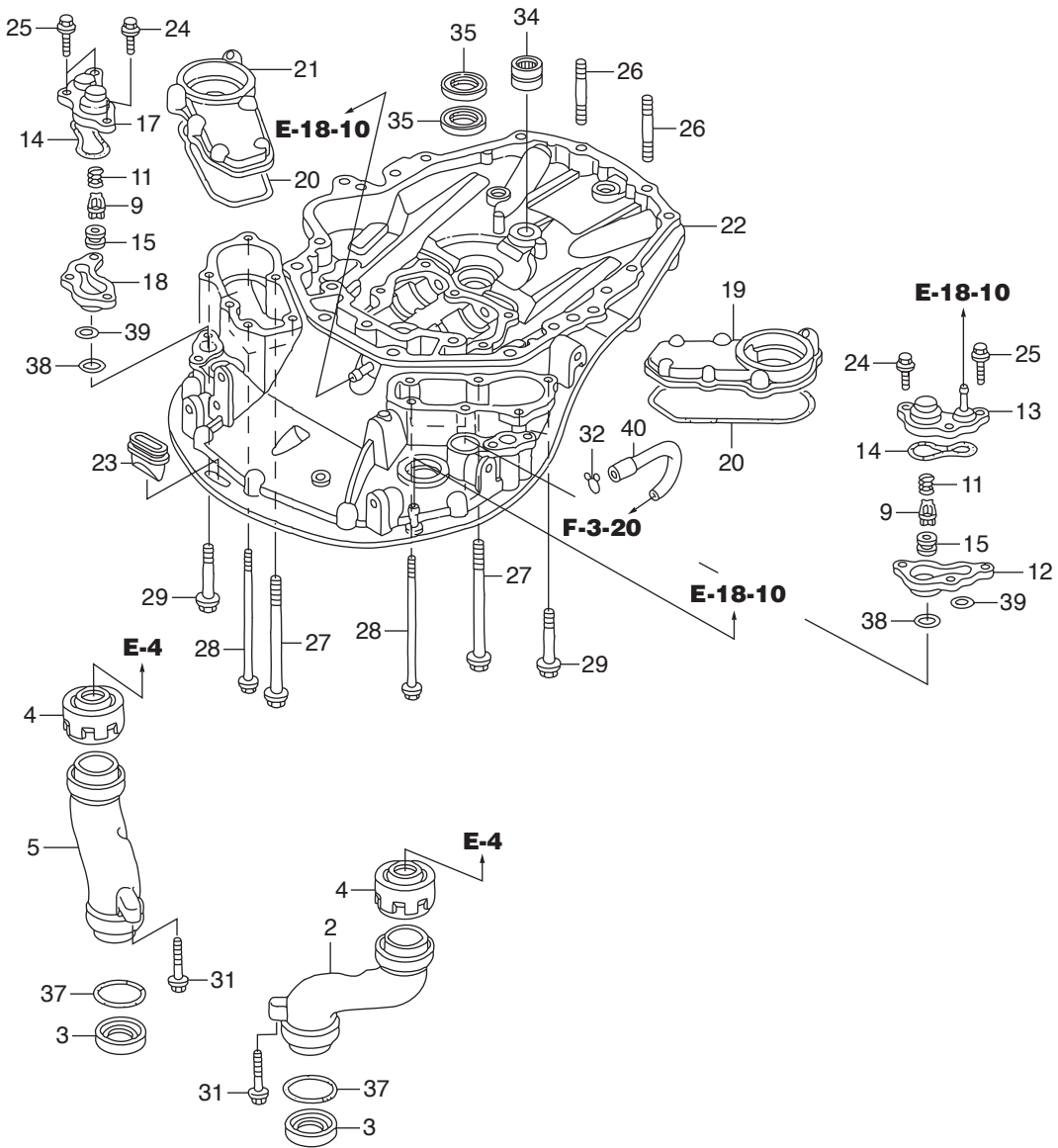
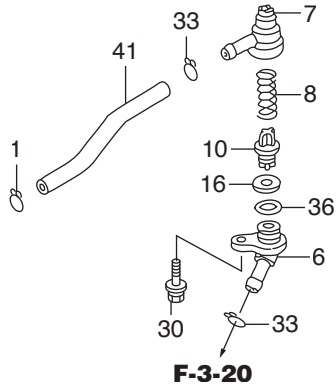
Ref.No.	Part No.	Description	Q' ty	Remarks	
			BFT250A		
E-6	1	HZY3-11311-010ZA	PAN, OIL	1	*TGRAY* GRAY
E-6	2	HZX2-11381-003	PACKING, OIL PAN	1	
E-6	3	HZY3-18330-020	PIPE COMP., R. EX.	1	
E-6	4	HZY3-18333-003	GASKET, EX. PIPE	2	
E-6	5	HZY3-18340-020	PIPE COMP., L. EX.	1	
E-6	6	HZY3-19252-000	GROMMET, WATER TUBE	1	
E-6	7	HZY3-19254-000	PLATE, WATER TUBE	1	
E-6	8	HZV5-90009-000	BOLT, HEX., 8X35	21	
E-6	9	HZY3-90053-010	BOLT, HEX., 8X28	6	
E-6	10	HZV4-90127-000	BOLT, HEX., 6X16	1	
E-6	11	HZV5-90131-000	BOLT, DRAIN PLUG	1	
E-6	12	HZW1-90401-000	WASHER, PLAIN, 8MM	27	
E-6	13	HZE2-90601-000	WASHER, DRAIN PLUG, 12MM	1	

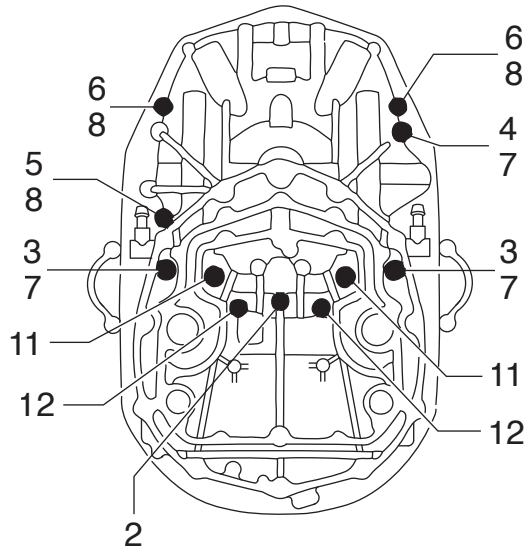
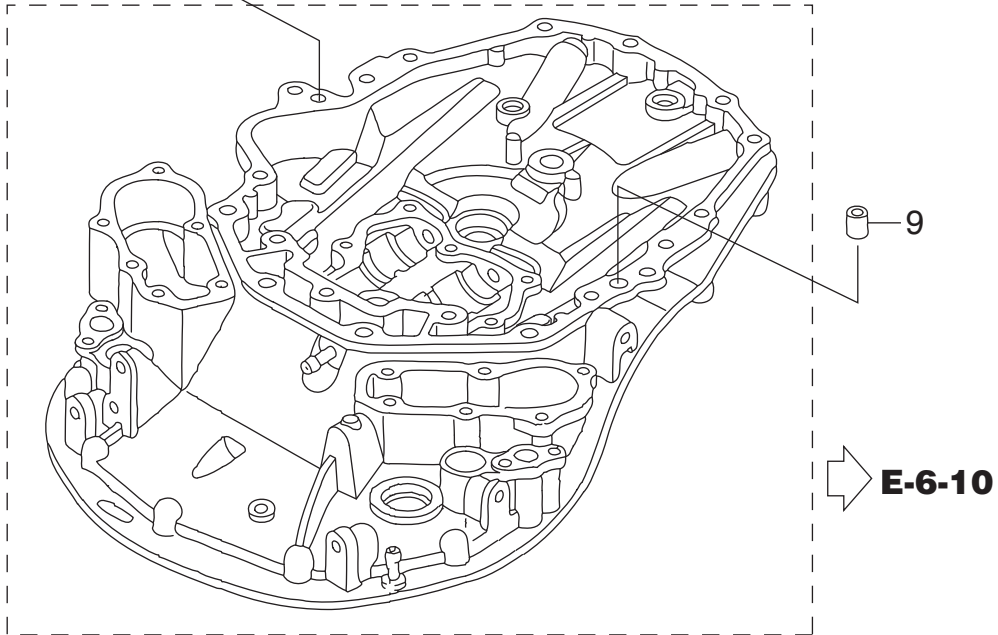
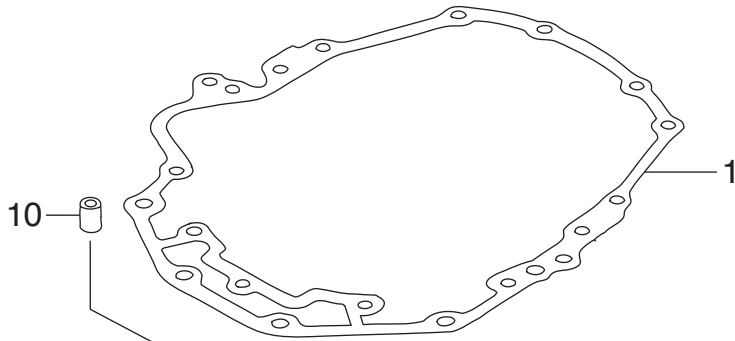


F-3-20

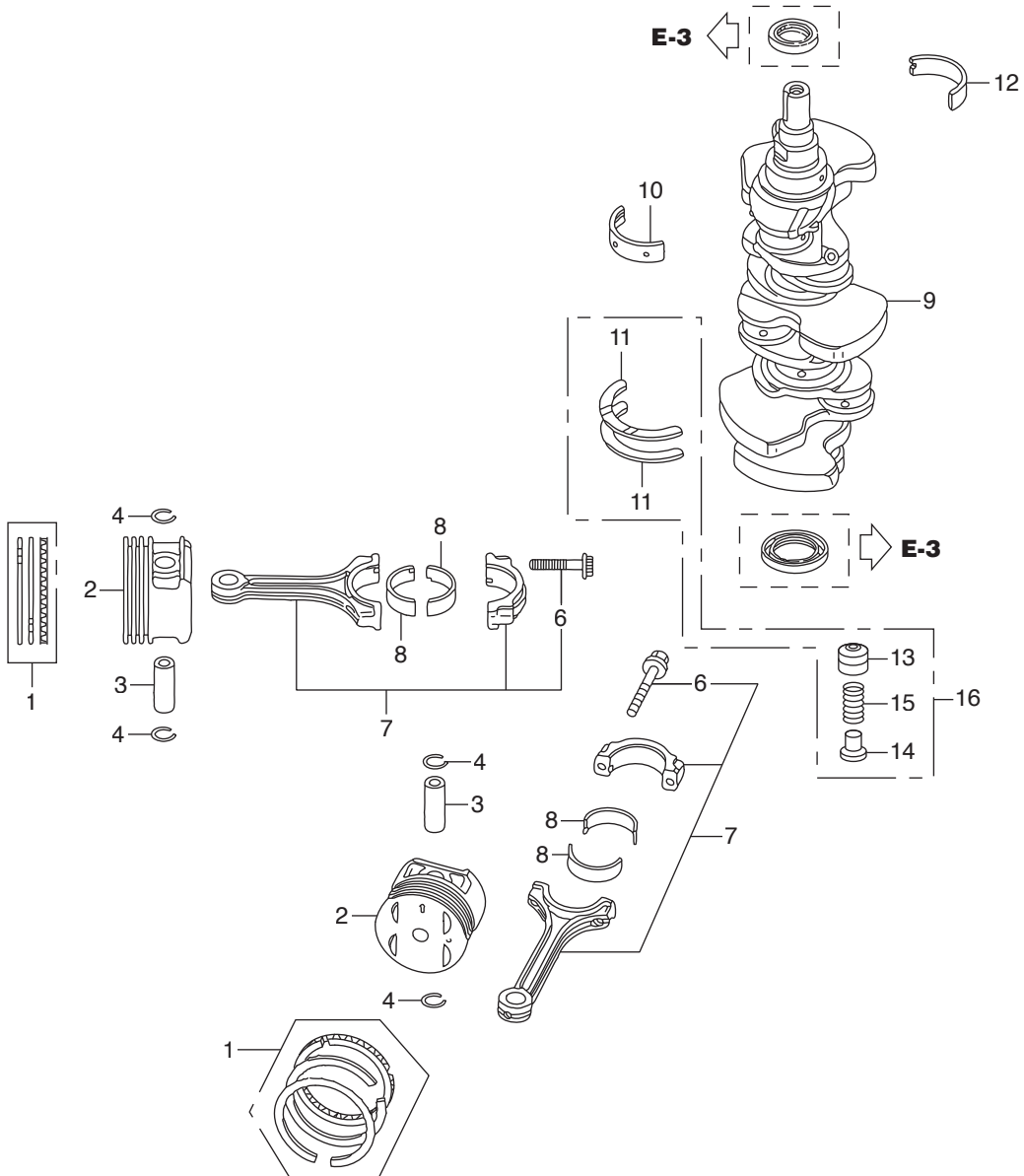


Ref.No.	Part No.	Description	Q' ty	Remarks	
			BFT250A		
E-6-10	1	HGHB-16163-610	CLIP, TUBE	1	
E-6-10	2	HZY3-18141-A00ZA	GUIDE, R. EX.	1	*TGRAY* GRAY
E-6-10	3	HZY3-18148-003	SEAL, EXHAUST GUIDE	2	
E-6-10	4	HZY3-18149-A01	SEAL B, EX. GUIDE	2	
E-6-10	5	HZY3-18151-A00ZA	GUIDE, L. EX.	1	*TGRAY* GRAY
E-6-10	6	HZY3-19277-000ZA	COVER, FLUSH VALVE	1	*NH8*DARK GRAY
E-6-10	7	HZY3-19278-000	CASE, FLUSH VALVE	1	
E-6-10	8	HZW9-19279-000	SPRING, FLUSH VALVE	1	
E-6-10	9	HZW5-19291-000	VALVE, RELIEF	2	
E-6-10	10	HZW9-19291-000	VALVE, FLASH	1	
E-6-10	11	HZW5-19292-000	SPRING, RELIEF VALVE	2	
E-6-10	12	HZY3-19294-000ZB	SPACER, R. RELIEF VALVE	1	*TGRAY* GRAY
E-6-10	13	HZY3-19295-000	COVER, R. RELIEF VALVE	1	
E-6-10	14	HZY3-19296-000	PACKING, RELIEF VALVE COVER	2	
E-6-10	15	HZW5-19297-000	PACKING, RELIEF VALVE	2	
E-6-10	16	HZW9-19297-000	PACKING, FLASH VALVE	1	
E-6-10	17	HZY3-19297-000	COVER, L. RELIEF VALVE	1	
E-6-10	18	HZY3-19298-000ZB	SPACER, L. RELIEF VALVE	1	*TGRAY* GRAY
E-6-10	19	HZY3-19361-000	COVER, R. WATER JACKET	1	
E-6-10	20	HZY3-19362-000	PACKING, WATER JACKET COVER	2	
E-6-10	21	HZY3-19366-000	COVER, L. WATER JACKET	1	
E-6-10	22	HZY3-23170-030ZA	CASE COMP., MOUNT	1	*NH8*DARK GRAY
E-6-10	23	HZY3-23173-010	RUBBER, MOUNT CASE SEAL	1	
E-6-10	24	HZY3-90030-000	BOLT, FLANGE, 6X22	2	
E-6-10	25	HZY3-90031-000	BOLT, FLANGE, 6X32	4	
E-6-10	26	HZY3-90045-000	BOLT, STUD, 10X45	2	
E-6-10	27	HZY3-90046-000	BOLT, FLANGE, 8X100	2	
E-6-10	28	HZY3-90047-000	BOLT, WASHER, 6X121	6	
E-6-10	29	HZY3-90049-000	BOLT, FLANGE, 8X30	4	

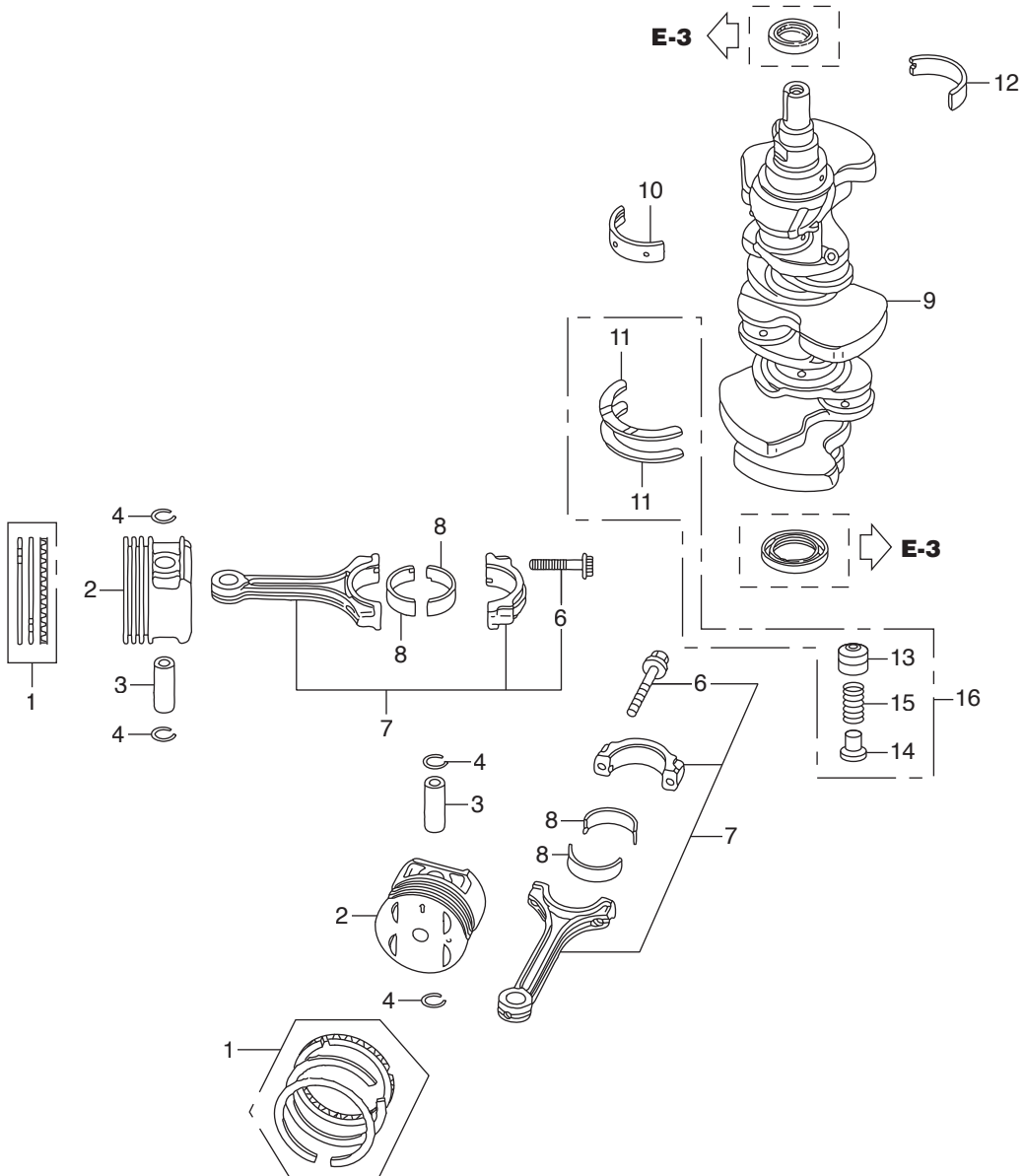




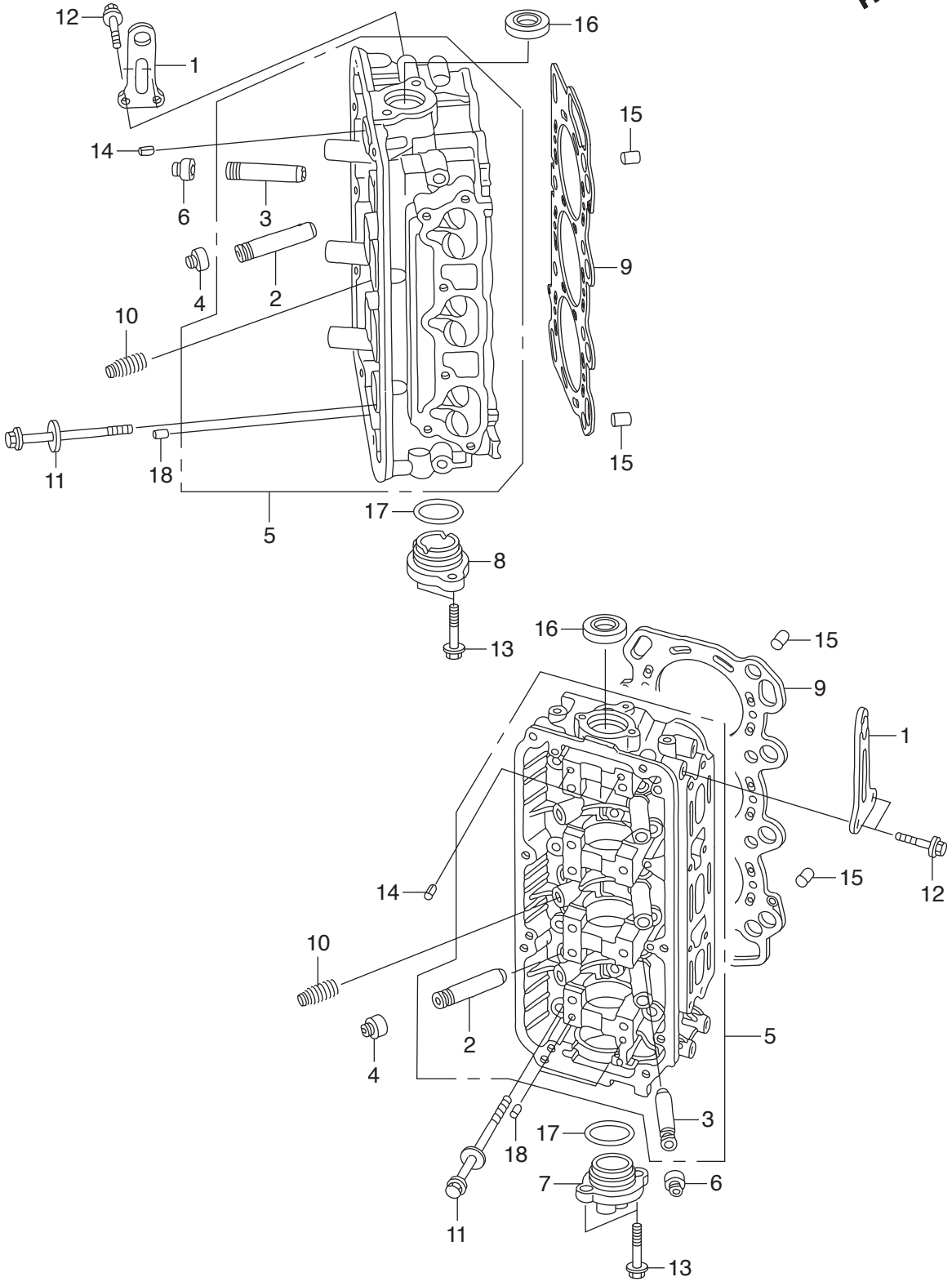
Ref.No.	Part No.	Description	Q' ty	Remarks	
			BFT250A		
E-6-20	1	HZY3-23172-003	GASKET, MOUNT CASE	1	
E-6-20	2	H371-90009-015	BOLT, FLANGE, 10X120(SATO)	1	
E-6-20	3	HZY3-90010-000	BOLT, HEX., 12X120	2	
E-6-20	4	HZY3-90011-000	BOLT, HEX., 12X65	1	
E-6-20	5	HZY3-90013-000	BOLT, HEX., 10X85	1	
E-6-20	6	HZY3-90015-000	BOLT, HEX., 10X60	2	
E-6-20	7	HZV5-90559-000	WASHER, PLAIN, 12MM	3	
E-6-20	8	HZV5-90563-000	WASHER, PLAIN, 10MM	3	
E-6-20	9	HPW5-90701-000	DOWEL PIN, 14X15	1	
E-6-20	10	HCO-94302-10160	PIN B, DOWEL, 10X16	1	
E-6-20	11	HCO-95701-10070-09	BOLT, FLANGE, 10X70	2	
E-6-20	12	HCO-95701-12120-09	BOLT, FLANGE, 12X120	2	



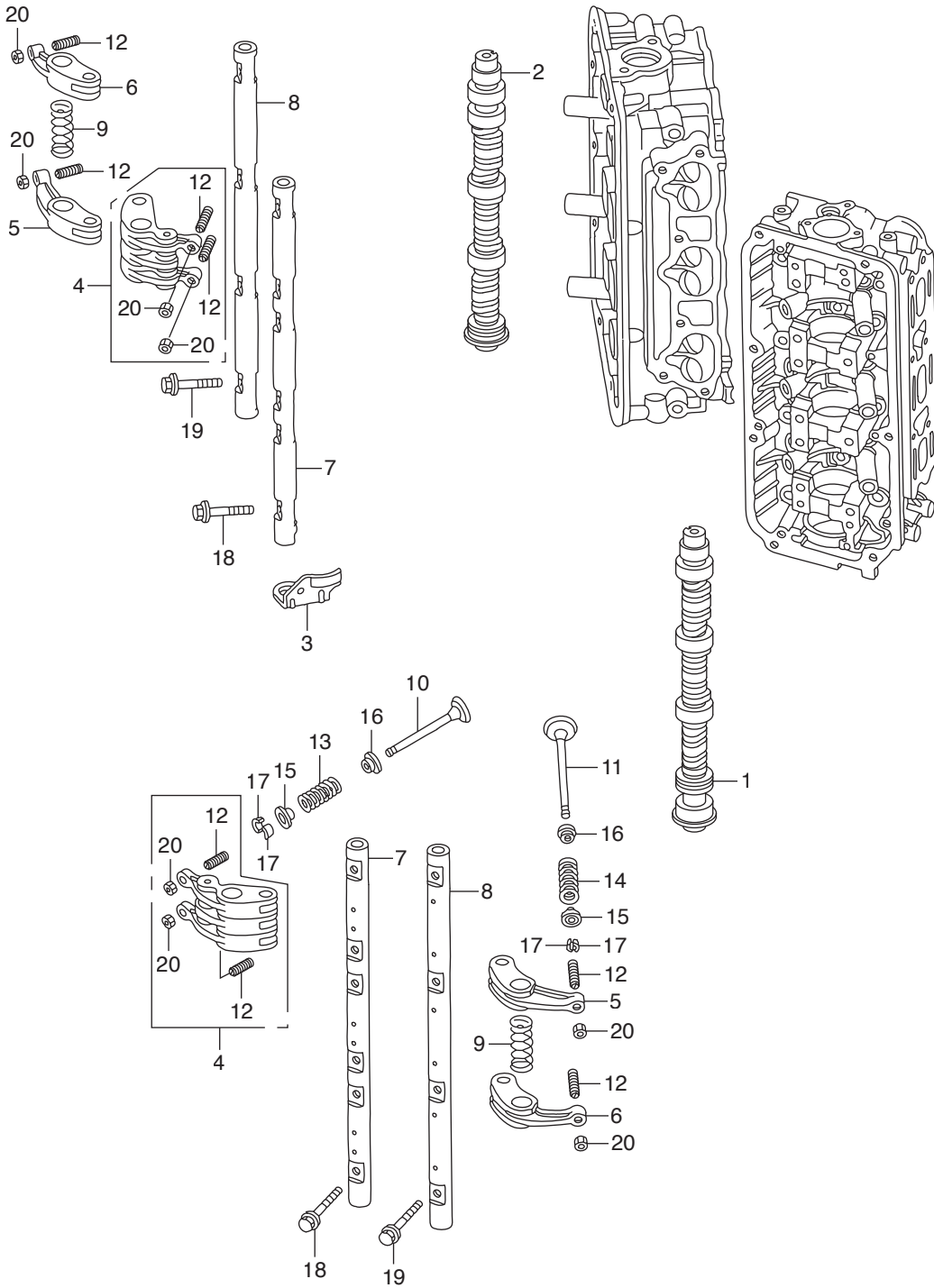
Ref.No.	Part No.	Description	Q' ty	Remarks	
			BFT250A		
E-7	1	HZX2-13010-000	RING SET, PISTON(STD.)(RIKEN)	6	
E-7	1	HZX2-13011-000	RING SET, PISTON(0.25)(RIKEN)	6	
E-7	2	HZX2-13101-000	PISTON	6	
E-7	2	HZX2-13102-000	PISTON(0.25)	6	
E-7	3	HPEA-13111-000	PIN, PISTON	6	
E-7	4	HP5A-13115-000	CLIP, PISTON PIN	12	
E-7	6	HP8A-13204-A01	BOLT, CONNECTING ROD	12	
E-7	7	HRKG-13210-000	ROD COMP., CONNECTING	6	
E-7	8	HRYE-13211-A01	BEARING A, CONNECTING ROD	12	(BLACK)(TAIHO)
E-7	8	HRYE-13212-A01	BEARING B, CONNECTING ROD	12	(BROWN)(TAIHO)
E-7	8	HRYE-13213-A01	BEARING C, CONNECTING ROD	12	(GREEN)(TAIHO)
E-7	8	HRYE-13214-A01	BEARING D, CONNECTING ROD	12	(YELLOW)(TAIHO)
E-7	8	HRYE-13215-A01	BEARING E, CONNECTING ROD	12	(PINK)(TAIHO)
E-7	9	HRKG-13310-000	CRANKSHAFT COMP.	1	
E-7	10	HZX2-13321-003	BEARING A, MAIN UPPER(BLACK)	4	(TAIHO)
E-7	10	HZX2-13322-003	BEARING B, MAIN UPPER(BROWN)	4	(TAIHO)
E-7	10	HZX2-13323-003	BEARING C, MAIN UPPER(GREEN)	4	(TAIHO)
E-7	10	HZX2-13324-003	BEARING D, MAIN UPPER(YELLOW)	4	(TAIHO)
E-7	10	HZX2-13325-003	BEARING E, MAIN UPPER(PINK)	4	(TAIHO)
E-7	10	HZX2-13326-003	BEARING F, MAIN UPPER(RED)	4	(TAIHO)
E-7	11	HZY3-13331-A04	WASHER, THRUST	2	XXA,XXCA
E-7	12	HZX2-13341-003	BEARING A, MAIN LOWER(BLACK)	4	(TAIHO)
E-7	12	HZX2-13342-003	BEARING B, MAIN LOWER(BROWN)	4	(TAIHO)
E-7	12	HZX2-13343-003	BEARING C, MAIN LOWER(GREEN)	4	(TAIHO)
E-7	12	HZX2-13344-003	BEARING D, MAIN LOWER(YELLOW)	4	(TAIHO)
E-7	12	HZX2-13345-003	BEARING E, MAIN LOWER(PINK)	4	(TAIHO)
E-7	12	HZX2-13346-003	BEARING F, MAIN LOWER(RED)	4	(TAIHO)
E-7	13	HZY3-13391-000	RETAINER, SPRING	1	XXA,XXCA
E-7	14	HZX2-13392-000	SEAT, SPRING(250)	1	XXA,XXCA



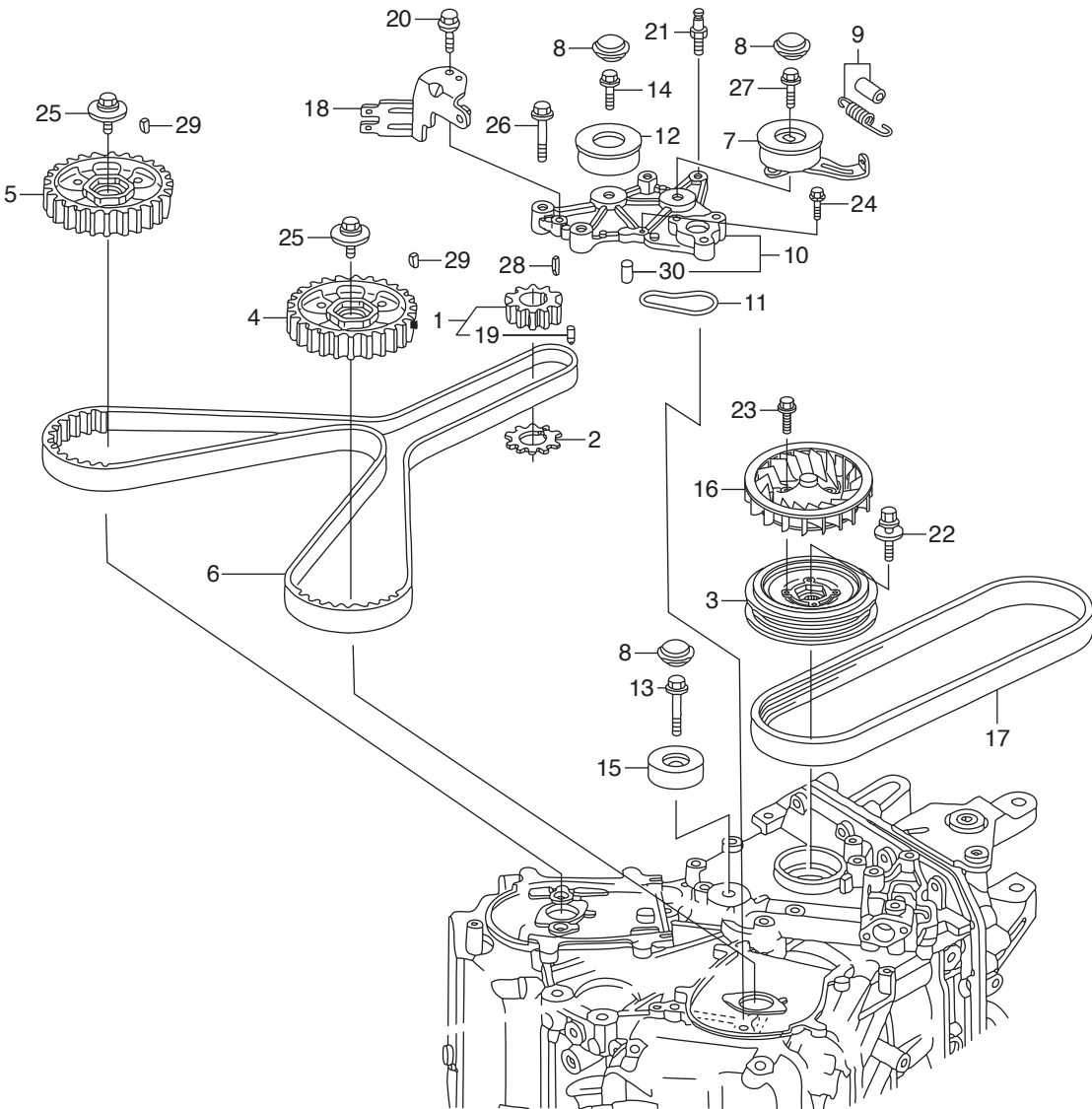
FR. 



FR. 

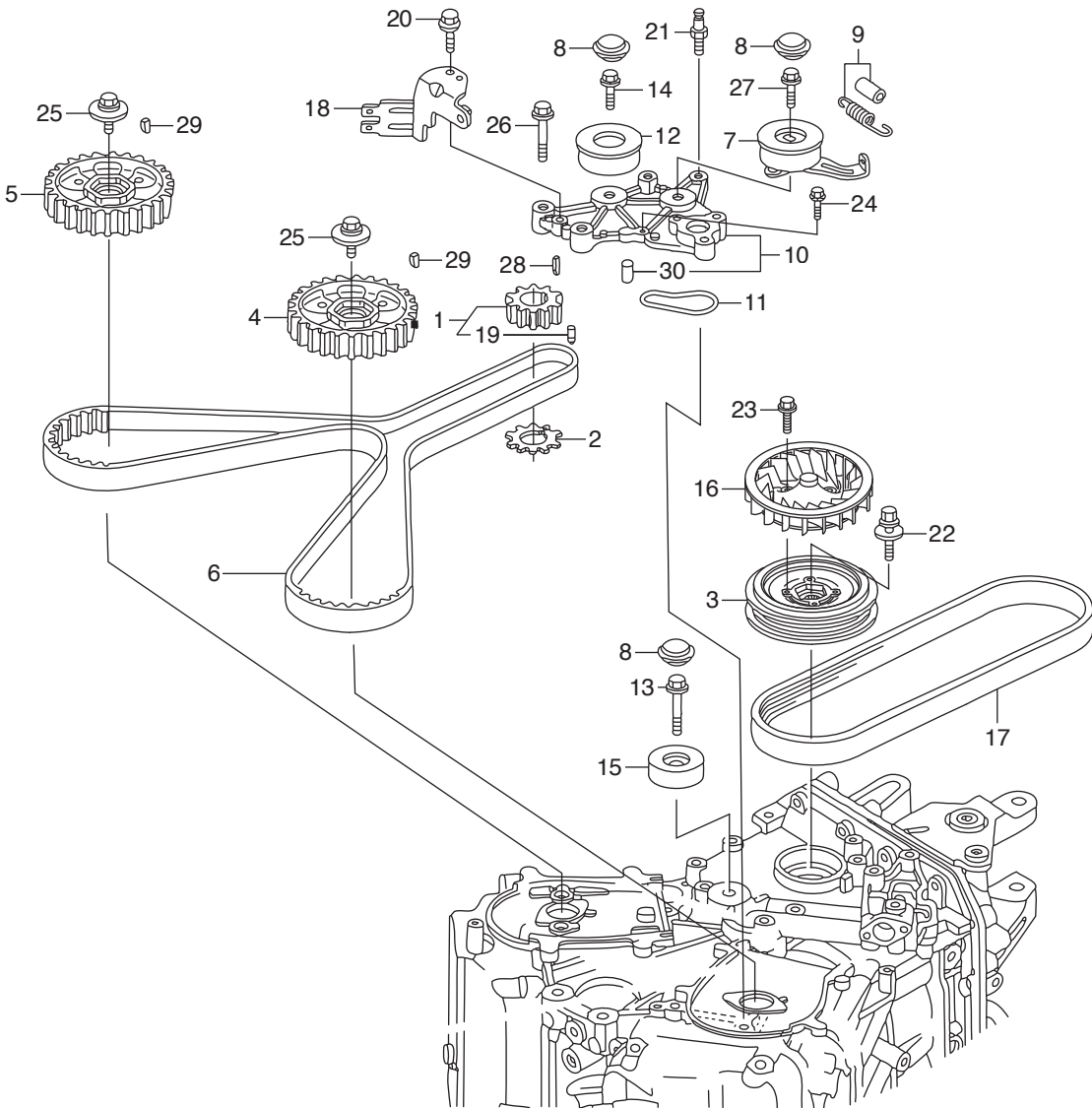


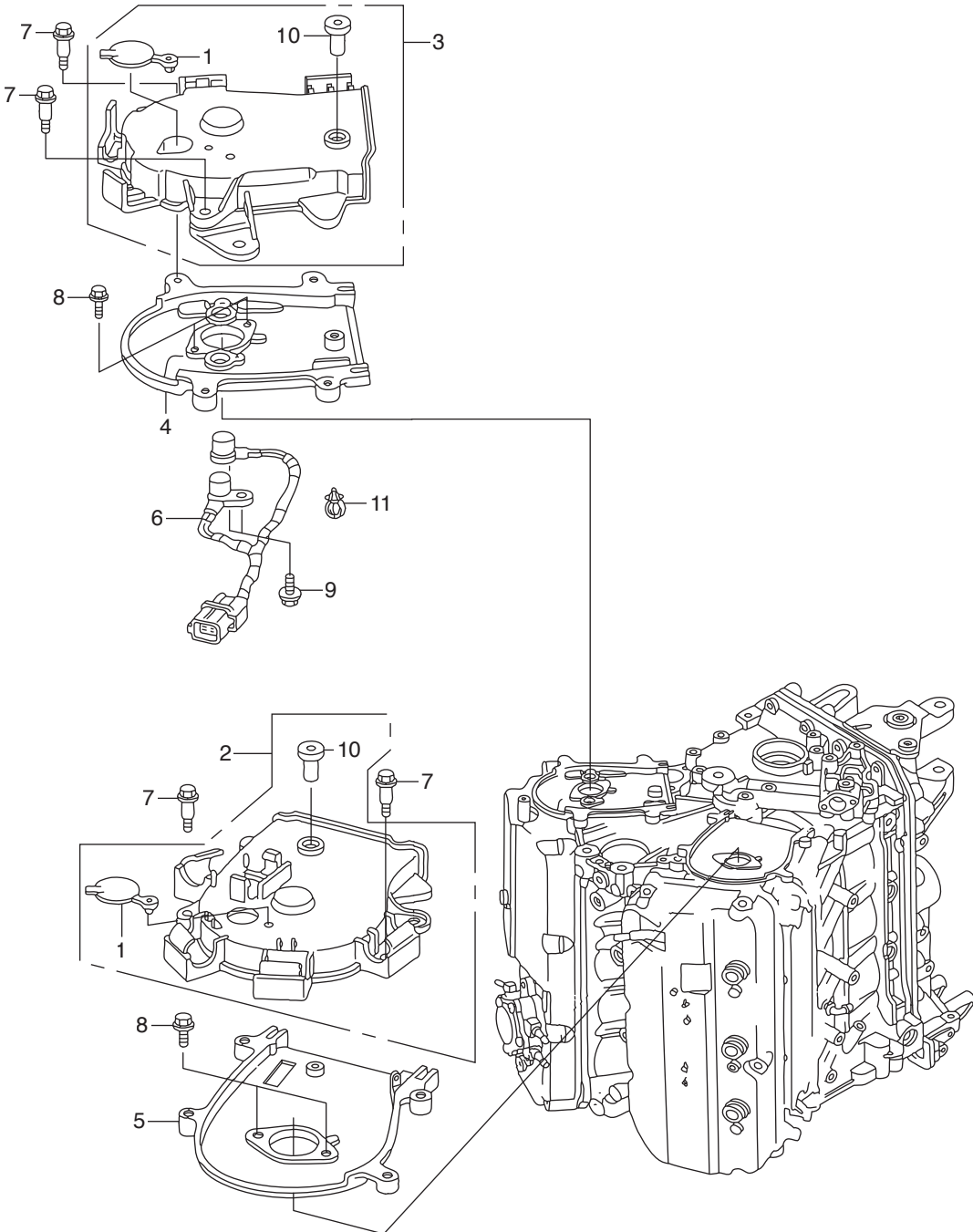
FR. 



Ref.No.	Part No.	Description	Q' ty	Remarks	
			BFT250A		
E-13	1	HZY3-13621-C01	PULLEY, TIMING BELT DRIVE	1	
E-13	2	HZY3-13622-C00	PLATE, TIMING BELT GUIDE	1	
E-13	3	HZX2-13811-000	PULLEY, CRANKSHAFT	1	
E-13	4	HZY3-14261-C00	PULLEY COMP., R. TIMING BELT	1	DRIVEN
E-13	5	HZY3-14270-C00	PULLEY COMP., L. TIMING BELT	1	DRIVEN
E-13	6	HP8A-14400-A01	BELT, TIMING(197YU26 B-333)	1	
E-13	7	HZY3-14510-003	TENSIONER COMP., TIMING BELT	1	
E-13	8	HZY3-14515-000	CAP, TIMING BELT TENSIONER	3	
E-13	9	HZY3-14520-000	SPRING COMP., TIMING BELT	1	ADJUSTING
E-13	10	HZX2-14526-405ZA	BASE COMP., TIMING BELT	1	*NH8*DARK GRAY TENSIONER
E-13	11	HZY3-14529-000	O-RING, TIMING BELT TENSIONER	1	BASE
E-13	12	HZY3-14550-003	IDLER, TIMING BELT(KOYO SEIKO)	1	
E-13	13	HP8A-14551-A01	BOLT, IDLER	1	
E-13	14	HZY3-14553-003	BOLT, TIMING BELT IDLER A	1	
E-13	15	HZY3-14555-003	IDLER B, TIMING BELT	1	
E-13	16	HZX2-19511-000	FAN, COOLING	1	
E-13	17	HZY3-31638-003	BELT, A.C. GENERATOR	1	(6PK745 M-180)
E-13	18	HZY3-32111-010	BRACKET, COUPLER D	1	
E-13	19	HZV0-41122-000	PIN, VERTICAL SHAFT	1	
E-13	20	HZW9-90011-000	BOLT, FLANGE, 6X14(CT200)	1	
E-13	21	HZV5-90012-013	BOLT, TIMING BELT ADJUSTING	1	SPRING
E-13	22	HRJA-90017-003	BOLT-WASHER, 16X49	1	
E-13	23	HZY3-90017-000	BOLT, FLANGE, 6X16	4	
E-13	24	HZY3-90030-000	BOLT, FLANGE, 6X22	1	
E-13	25	HP8A-90031-A01	BOLT-WASHER, 12X35	2	
E-13	26	HZY3-90039-000	BOLT, FLANGE, 10X40	3	
E-13	27	HZY3-90040-000	BOLT, FLANGE, 10X43	1	
E-13	28	HRCA-90704-A00	KEY, 4.5X24	1	
E-13	29	HZY3-90741-000	KEY, SPECIAL	2	

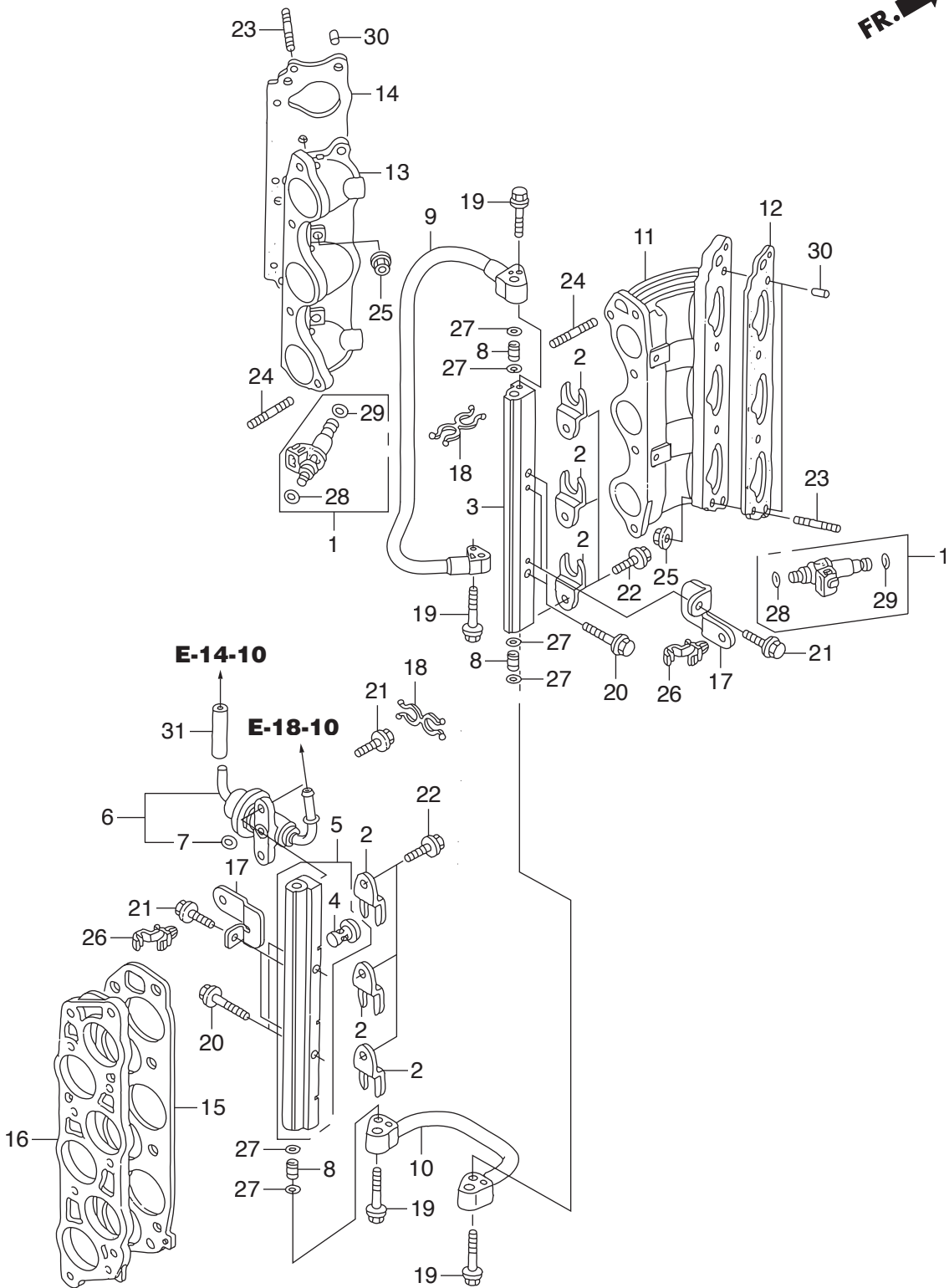
FR. →





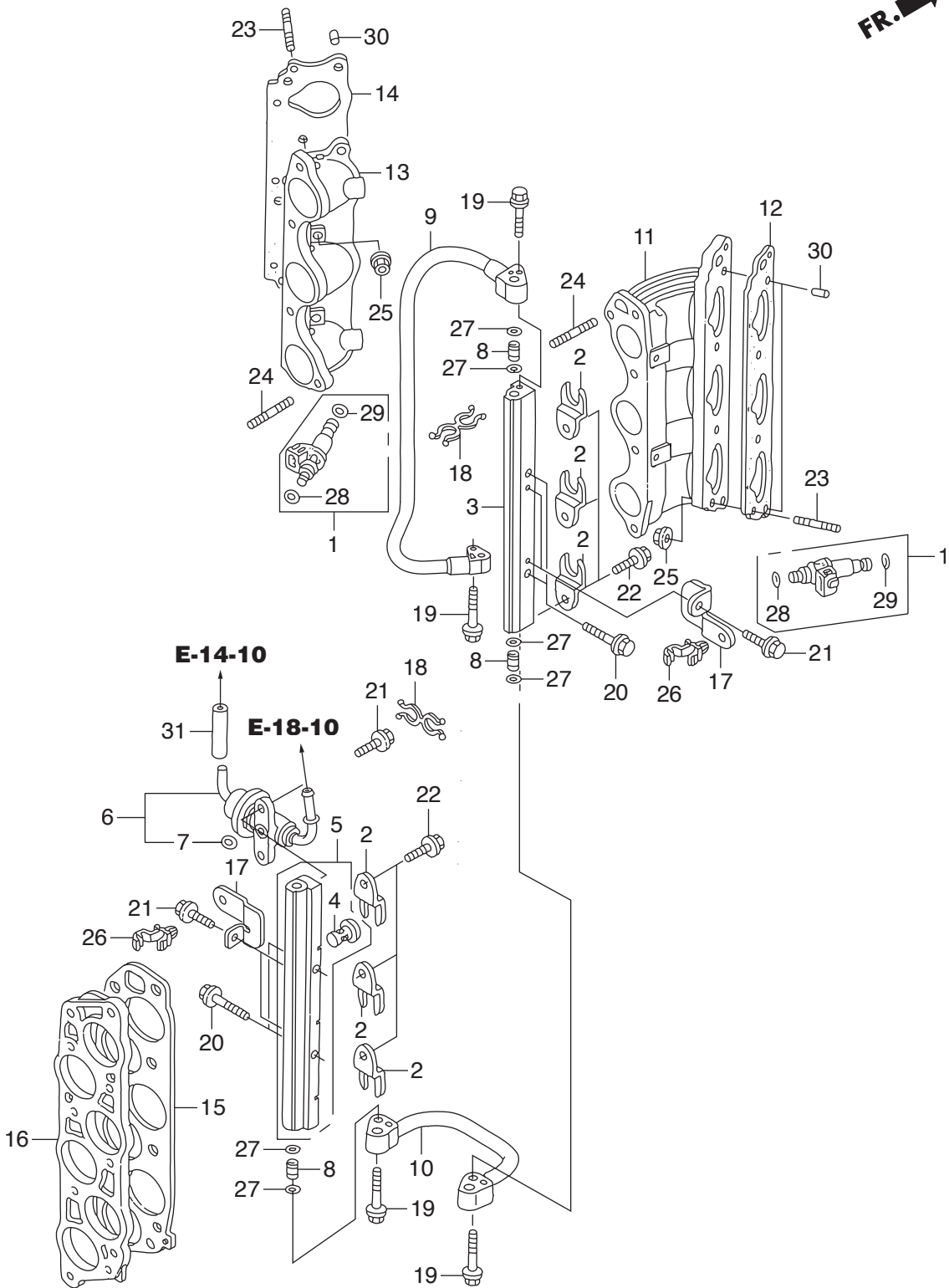
Ref.No.	Part No.	Description	Q' ty	Remarks	
			BFT250A		
E-13-10	1	HP8A-11812-A00	GROMMET, TIMING BELT COVER	2	
E-13-10	2	HZY3-11820-000	COVER ASSY., R. TIMING BELT	1	
E-13-10	3	HZY3-11840-010	COVER ASSY., L. TIMING BELT	1	
E-13-10	4	HZY3-11861-000	PLATE, L. TIMING BELT COVER	1	
E-13-10	5	HZY3-11871-000	PLATE, R. TIMING BELT COVER	1	
E-13-10	6	HZY3-35695-003	SENSOR COMP., TDC1-TDC2	1	
E-13-10	7	HZY3-90007-000	BOLT, TIMING BELT COVER	4	
E-13-10	8	HP8A-90017-A01	BOLT, SPECIAL, 8X29	4	
E-13-10	9	HZY3-90018-000	BOLT, FLANGE, 5X14	2	
E-13-10	10	HZY3-91508-000	COLLAR, TIMING BELT COVER	2	
E-13-10	11	HS0A-91541-003	CLIP, HARNESS BAND(BLACK)	1	(145MM)

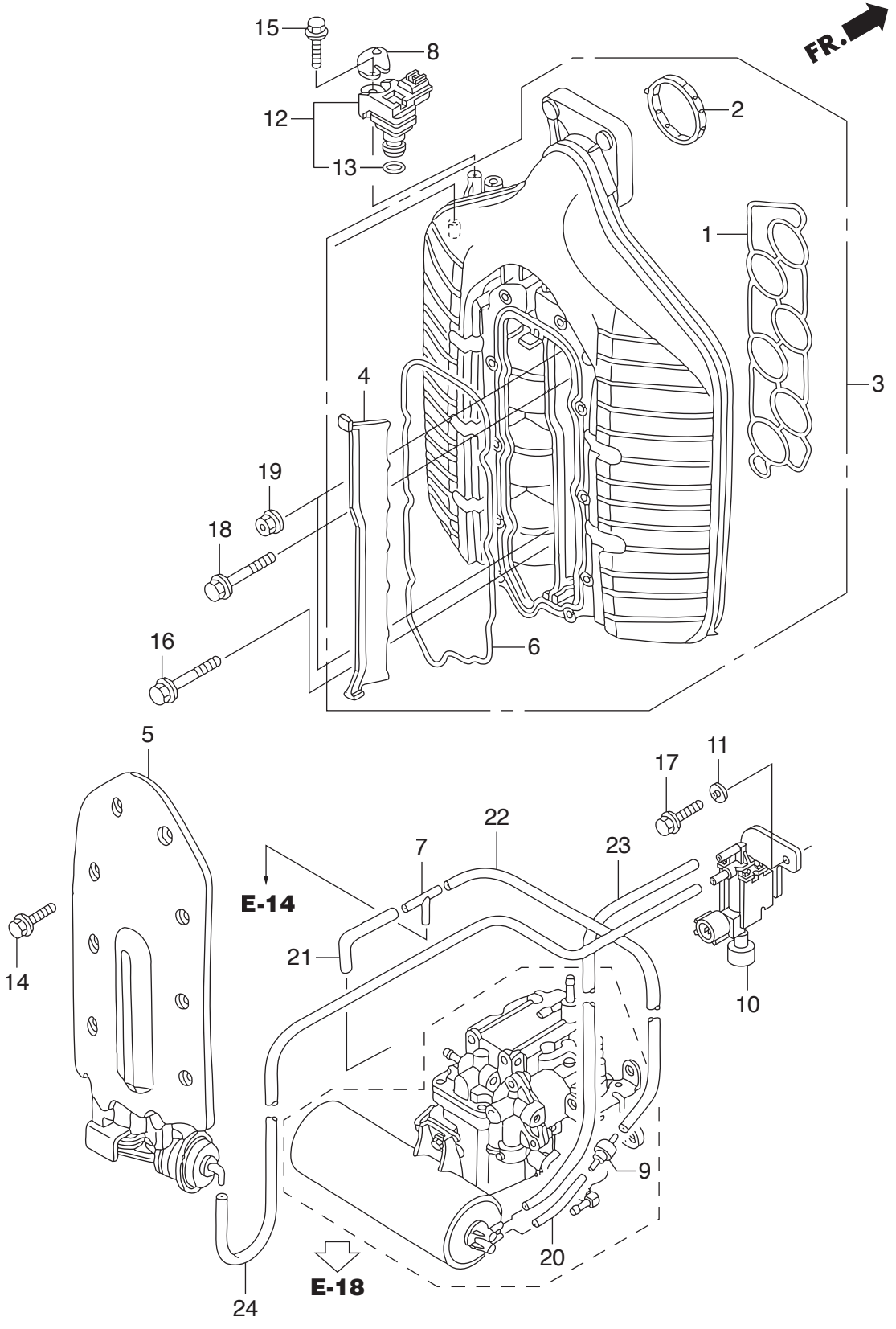
FR. 



Ref.No.	Part No.	Description	Q' ty	Remarks	
			BFT250A		
E-14	1	HZY6-16450-003	INJECTOR ASSY., FUEL	6	
E-14	2	HZY3-16451-000	CLIP, INJECTOR	6	
E-14	3	HZY3-16611-A00	PIPE, R. FUEL	1	
E-14	4	HP5G-16614-003	MESH, FUEL FILTER	1	
E-14	5	HZY3-16620-A00	PIPE COMP., L. FUEL	1	
E-14	6	HZY3-16740-A01	REGULATOR ASSY., PRESSURE	1	
E-14	7	HPG7-16741-005	O-RING, PRESSURE REGULATOR	1	
E-14	8	HZY3-16752-A00	JOINT, FUEL PIPE	3	
E-14	9	HZY3-16755-003	HOSE COMP., FUEL	1	
E-14	10	HZY3-16757-003	HOSE COMP., FUEL JOINT	1	
E-14	11	HZY3-17051-A00	BASE, R. INJECTOR	1	
E-14	12	HRCA-17055-A01	GASKET, FR. INJECTOR BASE	1	
E-14	13	HZY3-17061-A00	BASE, L. INJECTOR	1	
E-14	14	HRCA-17065-A01	GASKET, RR. INJECTOR BASE	1	
E-14	15	HP8E-17105-A01	GASKET, INTAKE MANIFOLD	1	
E-14	16	HZY3-17108-000	SPACER, INTAKE MANIFOLD	1	
E-14	17	HZY3-32112-000	BRACKET, HARNESS CLIP A	4	
E-14	18	HSJ6-78419-003	CLIP D, SPEEDOMETER CABLE	2	
E-14	19	HZW9-90016-000	BOLT, FLANGE, 6X25	4	
E-14	20	HZW9-90019-000	BOLT, FLANGE, 6X35	4	
E-14	21	HZY3-90021-000	BOLT, FLANGE, 6X14	6	
E-14	22	HZY3-90042-000	BOLT, FLANGE, 6X10	6	
E-14	23	HZY3-90043-000	BOLT, STUD, 8X28	8	
E-14	24	HZY3-90044-000	BOLT, STUD, 8X45	2	
E-14	25	HZY3-90205-000	NUT, FLANGE, 8MM	8	
E-14	26	HSB2-90650-003	CLIP, WIRE HARNESS, 10MM	4	
E-14	27	HMJ0-91301-003	O-RING, 7.8X1.9(ARAI)	6	
E-14	28	HPLC-91301-000	O-RING, 7.47X3.6	6	LA,XA,XCA
E-14	29	HPNA-91302-003	O-RING, 7.45X3.61(NOK)	6	LA,XA,XCA

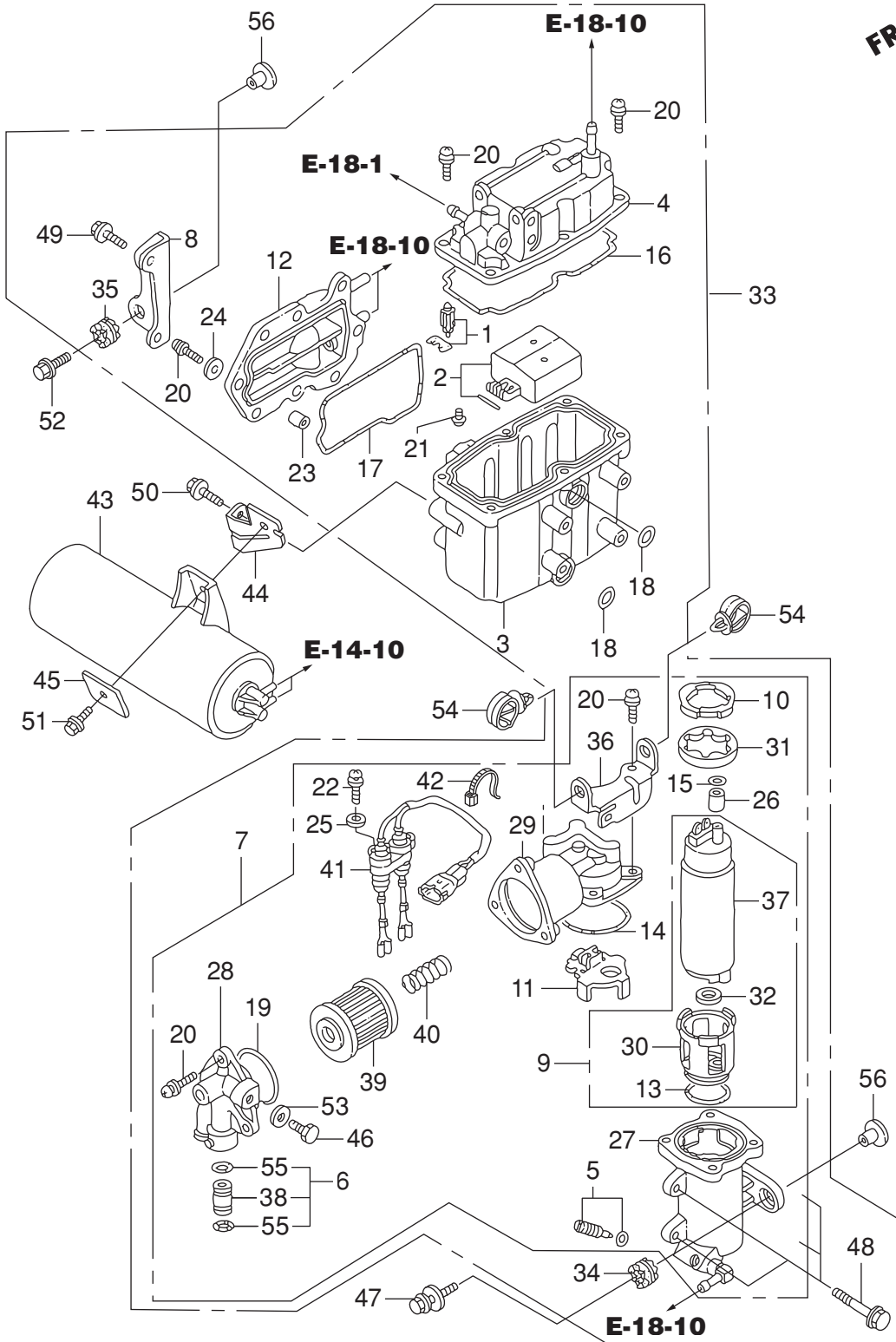
FR. →



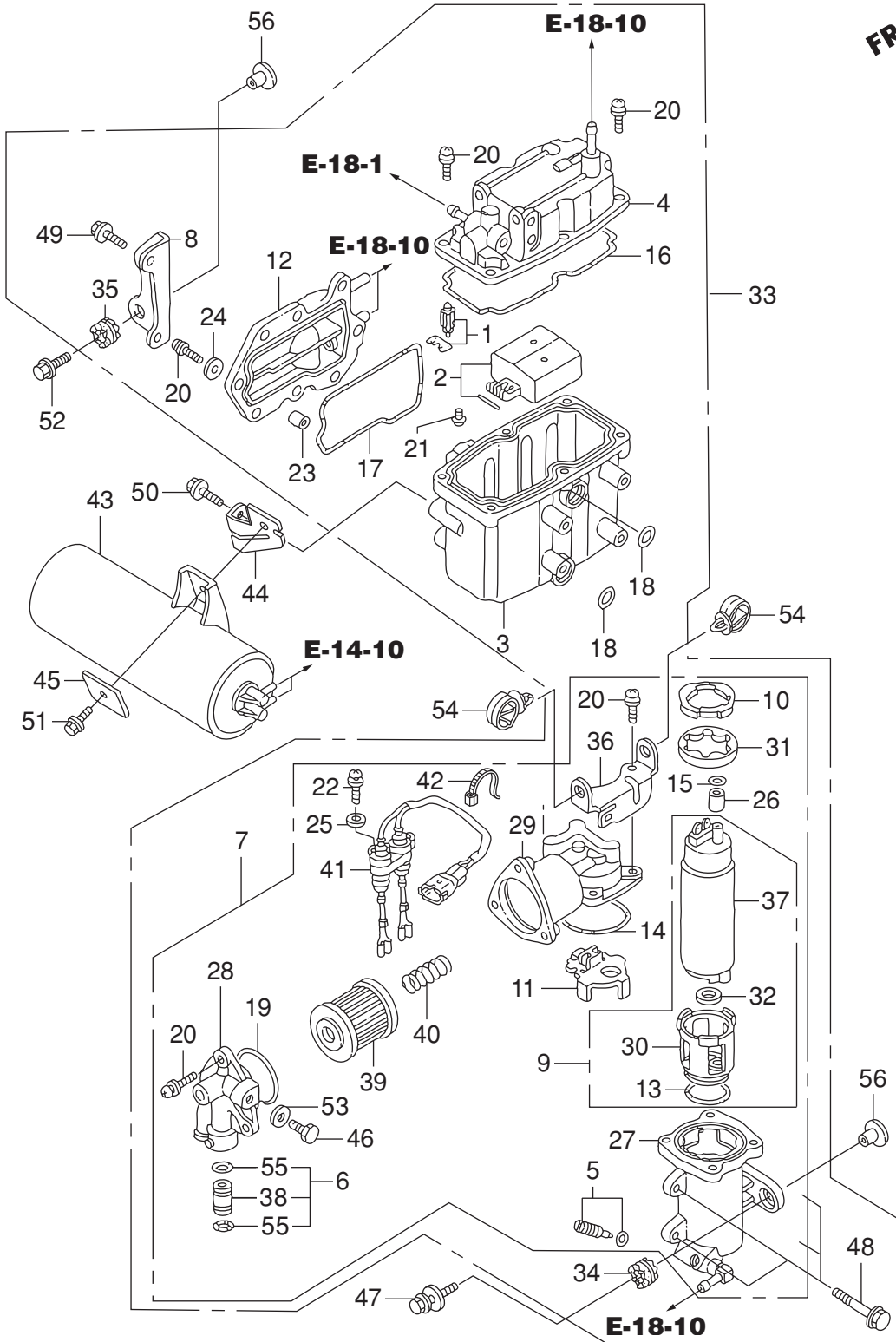


Ref.No.	Part No.	Description	Q' ty	Remarks	
			BFT250A		
E-14-10	1	HZY3-17105-004	GASKET, INTAKE MANIFOLD	1	
E-14-10	2	HZY3-17109-004	PACKING, THROTTLE BODY	1	
E-14-10	3	HZY3-17110-003	MANIFOLD COMP., INTAKE	1	
E-14-10	4	HZY3-17113-003	PLATE, INTAKE MANIFOLD CENTER	1	
E-14-10	5	HZY3-17130-003ZA	COVER COMP., INTAKE MANIFOLD	1	*NH8*DARK GRAY
E-14-10	6	HZY3-17138-004	PACKING, INTAKE MANIFOLD UP	1	COVER
E-14-10	7	HMG9-17201-000	JOINT A, VACUUM TUBE	1	
E-14-10	8	HZY3-32128-000	BRACKET, SENSOR CORD	1	
E-14-10	9	HPM4-36145-004	VALVE, CHECK	1	
E-14-10	10	HZY3-36163-003	VALVE ASSY., AIR BYPASS	1	
E-14-10	11	HP8D-36165-J00	WASHER, CONICAL SPRING(5)	1	
E-14-10	12	HRNA-37830-A01	SENSOR ASSY., MAP	1	
E-14-10	13	HPGK-37835-A01	O-RING	1	
E-14-10	14	HZY3-90023-000	BOLT, FLANGE, 6X22	10	
E-14-10	15	HZY3-90029-000	BOLT-WASHER, 5X18	1	
E-14-10	16	HZY3-90031-000	BOLT, FLANGE, 6X32	1	
E-14-10	17	HZY3-90058-000	BOLT, FLANGE, 5X10	1	
E-14-10	18	HZW4-90156-000	BOLT, FLANGE, 8X50	7	
E-14-10	19	HZY3-90205-000	NUT, FLANGE, 8MM	2	
E-14-10	20	HCO-95001-35040-40	TUBE, FUEL, 3.5X40	1	(HC-95001-35001-60M)
E-14-10	21	HCO-95001-35130-40	TUBE, FUEL, 3.5X130	1	(HC-95001-35001-60M)
E-14-10	22	HCO-95001-35540-40	TUBE, FUEL, 3.5X540	1	(HC-95001-35001-60M)
E-14-10	23	HCO-95001-35590-60	TUBE, FUEL, 3.5X590	1	(HC-95001-35001-60M)
E-14-10	24	HCO-95001-35600-40	TUBE, FUEL, 3.5X600	1	(HC-95001-35001-60M)

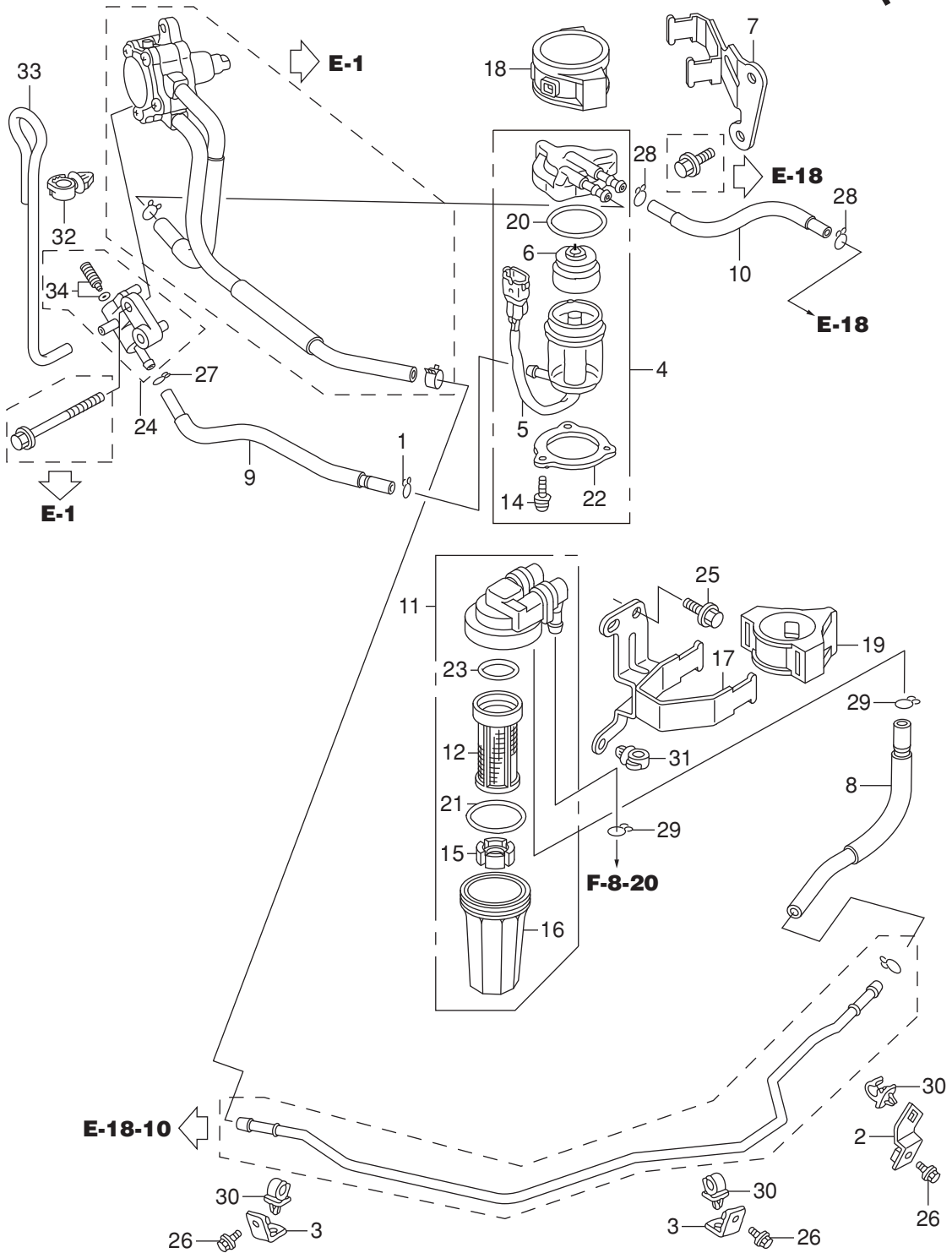
Ref.No.	Part No.	Description	Q' ty	Remarks	
			BFT250A		
E-15	1	HZY3-16016-003	SCREW SET	1	
E-15	2	HZY3-16176-000	GASKET, THROTTLE BODY	1	
E-15	3	HZY3-16400-A01	THROTTLE BODY ASSY.	1	
E-15	4	HZX2-16404-000	SPACER, THROTTLE BODY	1	
E-15	5	HZY3-16405-000	GASKET, EAC VALVE	1	
E-15	7	HPY3-17249-000	SPRING, AIR FLOW TUBE	1	
E-15	8	HZY9-17315-000	BAND, AIR FLOW	1	
E-15	9	HZX2-17374-000	GROMMET, SILENCER	1	
E-15	10	HZY3-17910-013	CABLE COMP., THROTTLE	2	
E-15	16	HZW5-35665-003	SENSOR ASSY., AIR TEMP	1	
E-15	17	HZY3-36550-003	VALVE ASSY., EAC	1	
E-15	18	HZV5-40102-000	GROMMET, UNDER CASE	4	
E-15	19	HZW1-90013-000	BOLT-WASHER, 6X25	2	
E-15	20	HZY9-90017-000	BOLT-WASHER, 5X30	1	
E-15	21	HZY3-90030-000	BOLT, FLANGE, 6X22	2	
E-15	22	HZY3-90034-000	BOLT, FLANGE, 6X60	2	
E-15	23	HZY3-90037-000	BOLT, FLANGE, 8X65	4	
E-15	24	HZY3-90508-000	WASHER, PLAIN, 6MM	2	
E-15	25	HP0A-91303-A02	O-RING	1	
E-15	26	HZV5-91553-010	COLLAR, C.D.I. UNIT CASE	4	
E-15	28	HCO-94301-06100	DOWEL PIN, 6X10	2	
E-15	29	HZX2-19540-010	COVER ASSY., COOLING FAN	1	



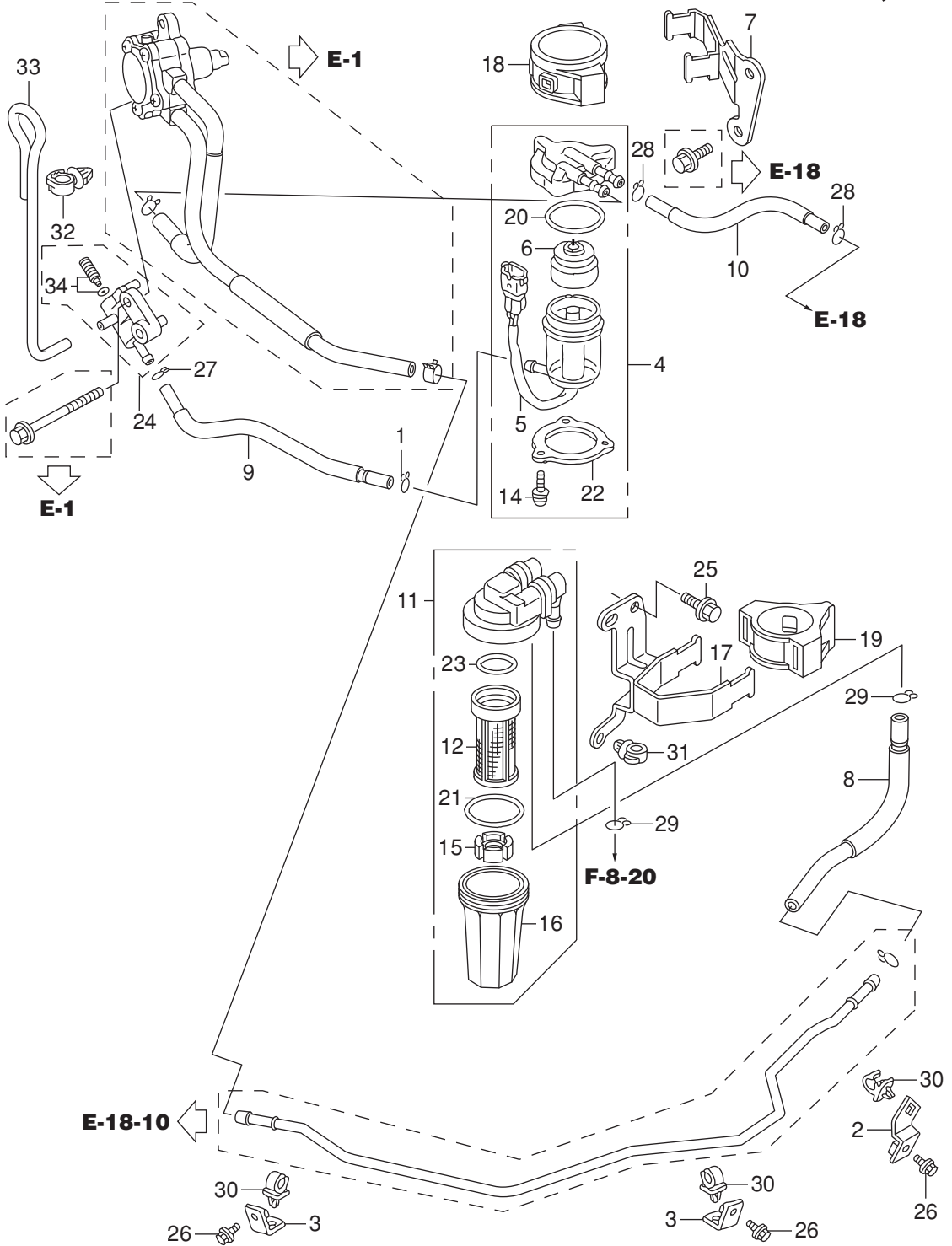
Ref.No.	Part No.	Description	Q' ty	Remarks	
			BFT250A		
E-18	1	HZY3-16011-A01	VALVE SET, FLOAT	1	
E-18	2	HZY3-16013-000	FLOAT SET	1	
E-18	3	HZY3-16015-000	BODY	1	
E-18	4	HZX2-16020-003	COVER COMP.	1	
E-18	5	HZY3-16024-000	SCREW SET, DRAIN	1	
E-18	6	HZY3-16026-000	JOINT SET	1	
E-18	7	HZX2-16030-003	PUMP UNIT SET A, FUEL	1	
E-18	8	HZY3-16031-010	STAY, PLATE	1	
E-18	9	HZY3-16036-003	PUMP UNIT SET B, FUEL	1	
E-18	10	HZY3-16041-000	PLATE	1	
E-18	11	HZY3-16042-000	HOLDER	1	
E-18	12	HZY3-16061-000	COVER, WATER JACKET	1	
E-18	13	HZY3-16072-000	O-RING	1	
E-18	14	HZY3-16073-000	O-RING	1	
E-18	15	HZY3-16074-000	O-RING	1	
E-18	16	HZY3-16075-000	O-RING	1	
E-18	17	HZY3-16076-000	O-RING	1	
E-18	18	HZY3-16077-000	O-RING	2	
E-18	19	HZY3-16078-000	O-RING	1	
E-18	20	HZW5-16081-010	SCREW-WASHER	21	
E-18	21	HZY3-16082-000	SCREW, PAN	2	
E-18	22	HZY3-16083-000	SCREW, WASHER	1	
E-18	23	HZW5-16086-000	COLLAR, SET	8	
E-18	24	HZW5-16087-000	WASHER, PLAIN	8	
E-18	25	HZY3-16087-000	WASHER, PLAIN	1	
E-18	26	HZY3-16088-000	COLLAR	1	
E-18	27	HZX2-16701-003	CASE COMP., PUMP	1	
E-18	28	HZY3-16708-000	COVER, PUMP	1	
E-18	29	HZW5-16715-023	COVER, PUMP(A)	1	



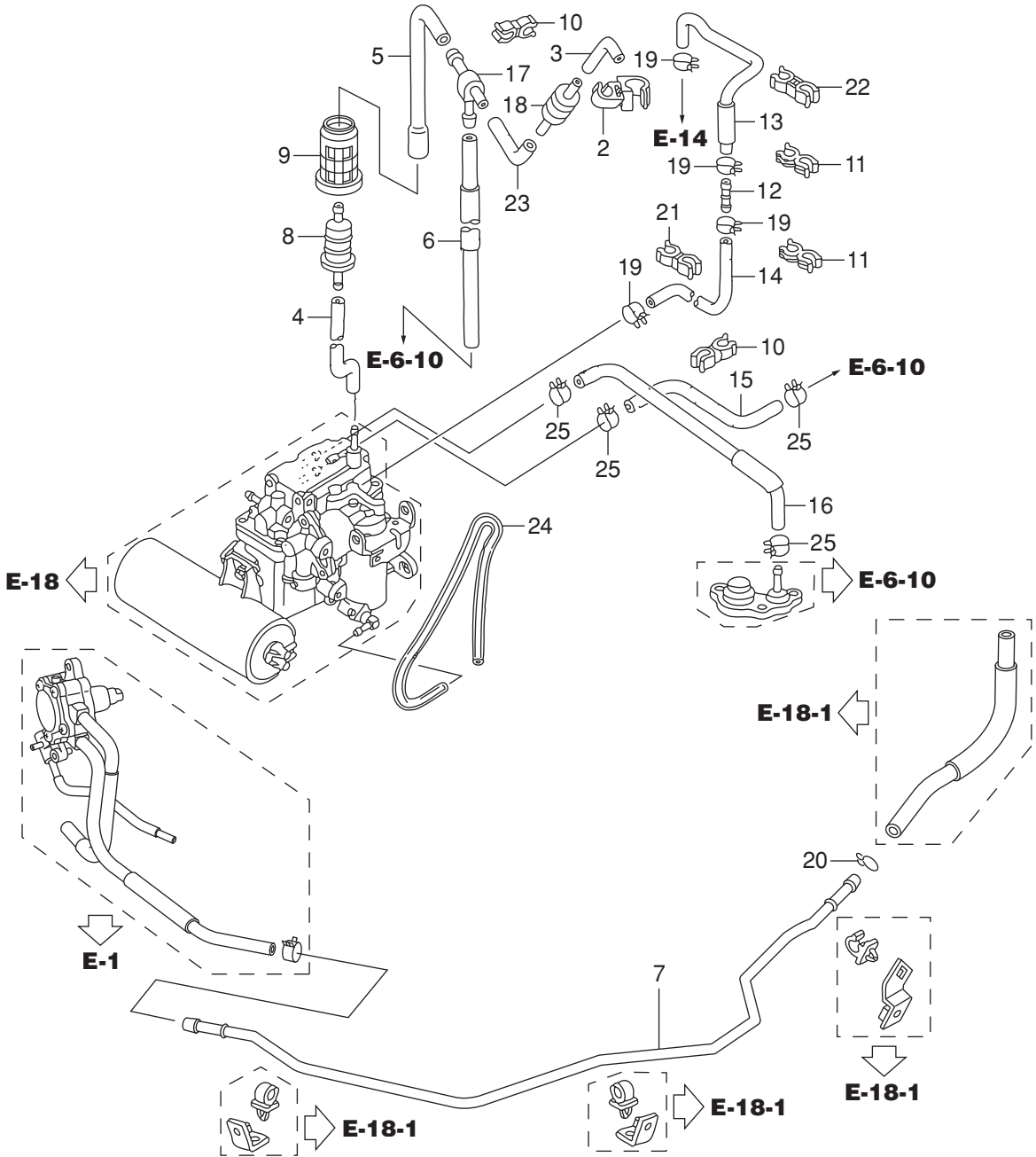
Ref.No.	Part No.	Description	Q' ty	Remarks	
			BFT250A		
E-18	30	HZY6-16718-013	INSULATOR COMP.	1	
E-18	31	HZY3-16721-000	INSULATOR	1	
E-18	32	HZY6-16723-003	RING	1	
E-18	33	HZX2-16730-003	SEPARATOR ASSY., VAPOR	1	
E-18	34	HZW5-16733-000	GROMMET, VAPOR SEPARATOR	1	
E-18	35	HZY3-16733-000	GROMMET, VAPOR SEPARATOR	2	
E-18	36	HZY3-16734-000	STAY, PLATE	1	
E-18	37	HZY3-16735-004	PUMP UNIT, FUEL	1	
E-18	38	HZY3-16752-000	JOINT, FUEL PIPE	1	
E-18	39	HZY3-16911-010	SCREEN COMP., FUEL STRAINER	1	
E-18	40	HZY3-16913-000	SPRING, SET	1	
E-18	41	HZX2-32166-003	HARNESS COMP.	1	
E-18	42	HZW5-32168-003	BAND	1	
E-18	43	HPR7-36361-A01	TANK COMP., VACUUM	1	
E-18	44	HZY3-36362-000	STAY, VACUUM TANK	1	
E-18	45	HZY3-36620-000	PLATE	1	
E-18	46	HPP4-90009-E01	BOLT, SEALING, 6MM	1	
E-18	47	HZW1-90014-000	BOLT-WASHER, 8X35	1	
E-18	48	HZW9-90016-000	BOLT, FLANGE, 6X25	4	
E-18	49	HZY3-90017-000	BOLT, FLANGE, 6X16	2	
E-18	50	HZY3-90021-000	BOLT, FLANGE, 6X14	2	
E-18	51	HZY3-90050-000	BOLT, FLANGE, 6X12	1	
E-18	52	HZY3-90054-000	BOLT, FLANGE, 8X35	2	
E-18	53	HPD6-90430-003	WASHER, SEALING, 6MM	1	
E-18	54	HZB7-90691-003	CLIP, HARNESS	2	
E-18	55	HMJ0-91301-003	O-RING, 7.8X1.9(ARAI)	2	
E-18	56	HZW1-91554-000	COLLAR, 8.5X14.5	3	



Ref.No.	Part No.	Description	Q' ty	Remarks	
			BFT250A		
E-18-1	1	HGHB-16163-600	CLIP, TUBE	1	
E-18-1	2	HZY3-16753-000	STAY, FUEL PIPE A	1	
E-18-1	3	HZY3-16754-000	STAY, FUEL PIPE B	2	
E-18-1	4	HZX2-16800-003	SEPARATOR ASSY., WATER	1	
E-18-1	5	HZX2-16805-003	CUP SET, WATER SEPARATOR	1	
E-18-1	6	HZY3-16807-003	BUFFER, PLATE	1	
E-18-1	7	HZX2-16814-000	STAY, WATER SEPARATOR	1	
E-18-1	8	HZX2-16860-C00	TUBE COMP. B, FUEL	1	
E-18-1	9	HZX2-16880-C00	TUBE COMP. D, FUEL	1	
E-18-1	10	HZX2-16890-C00	TUBE COMP. E, FUEL	1	
E-18-1	11	HZX2-16900-003	STRAINER ASSY., FUEL	1	
E-18-1	12	HZZ5-16901-003	FILTER	1	
E-18-1	14	HZY3-16904-003	SCREW, PAN, 5X12	3	
E-18-1	15	HZZ5-16906-003	FLOAT	1	
E-18-1	16	HZX2-16912-003	CUP	1	
E-18-1	17	HZX2-16914-000	STAY, FUEL STRAINER	1	
E-18-1	18	HZY3-16915-010	SUSPENSION, STRAINER	1	
E-18-1	19	HZZ5-16915-000	SUSPENSION, STRAINER	1	
E-18-1	20	HZY3-16918-003	O-RING	1	
E-18-1	21	HZZ5-16918-003	O-RING	1	
E-18-1	22	HZY3-16919-003	PLATE	1	
E-18-1	23	HZZ5-16919-003	O-RING	1	
E-18-1	24	HZX2-16940-003	COCK ASSY., FUEL DRAIN	1	
E-18-1	25	HZW9-90014-000	BOLT, FLANGE, 6X10	2	
E-18-1	26	HZY3-90056-000	BOLT, FLANGE, 6X12	3	
E-18-1	27	H921-90602-000	CLIP, TUBE(B8)	1	
E-18-1	28	HZV0-90604-000	CLIP, TUBE(B12)	2	
E-18-1	29	HZV4-90605-000	CLIP, TUBE(B12.5)	2	LA,XA,XCA
E-18-1	30	HKG4-90659-000	CLAMP, WIRE, 8MM	3	

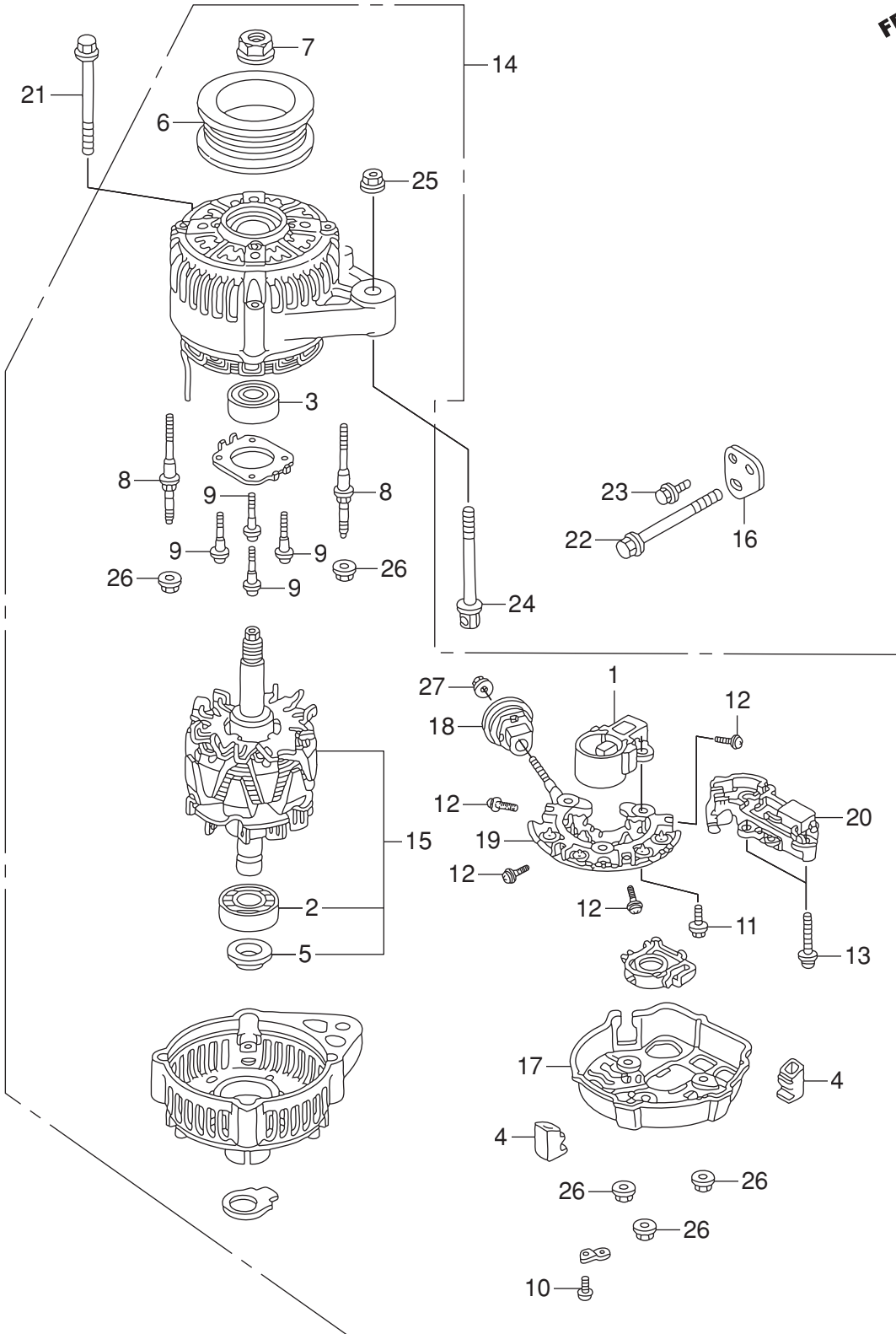


FR. 

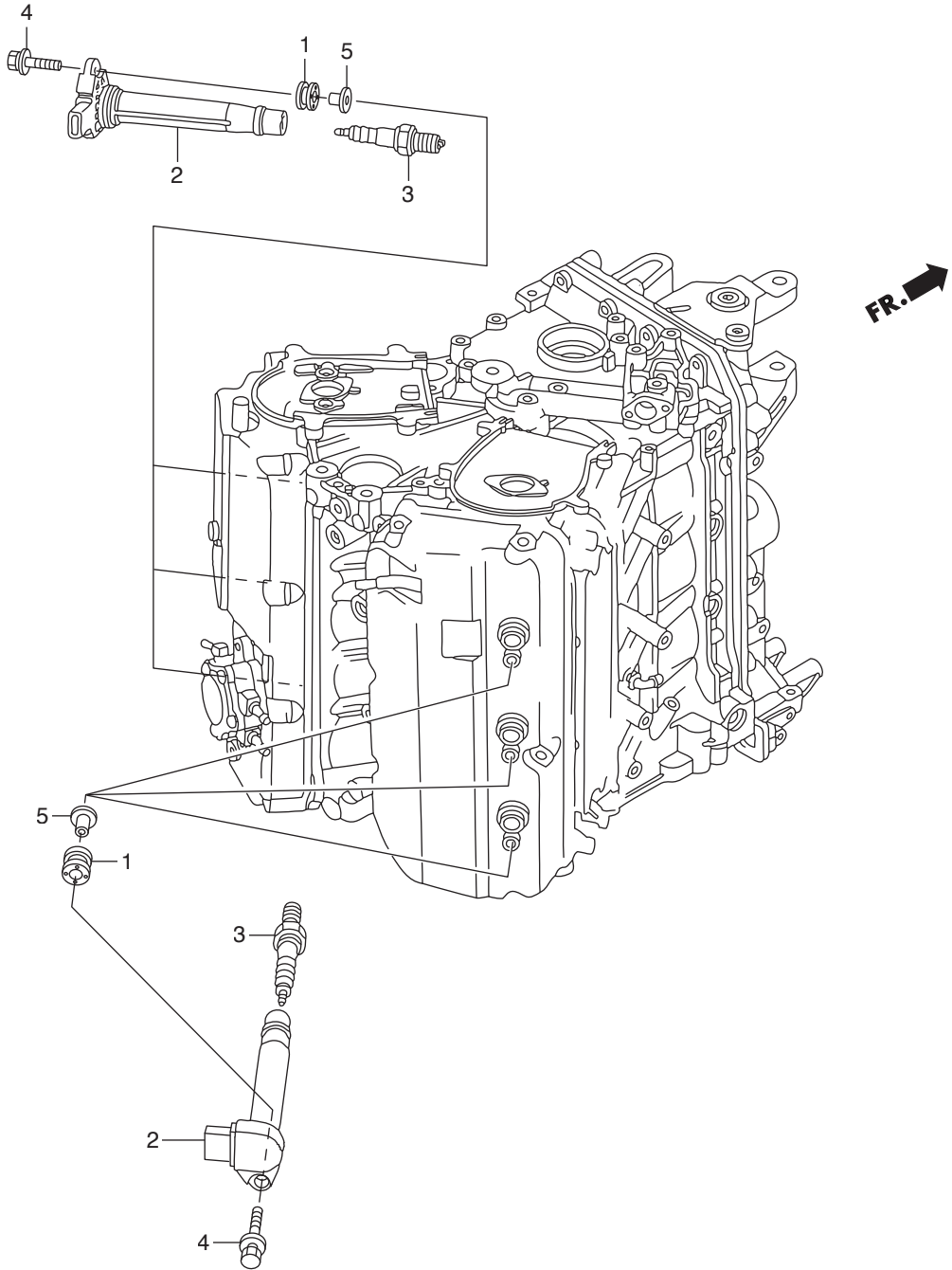


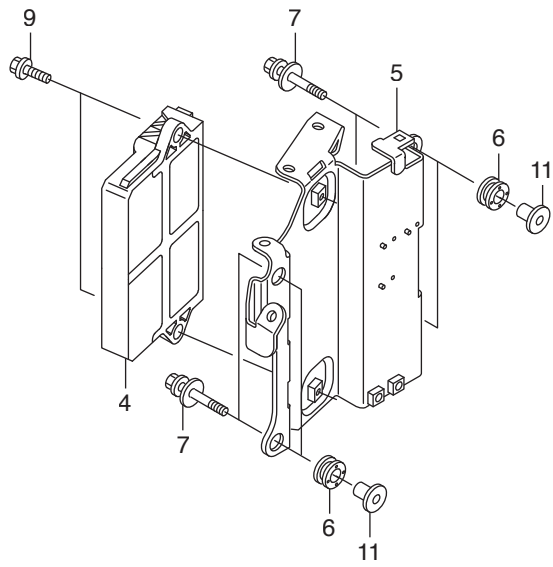
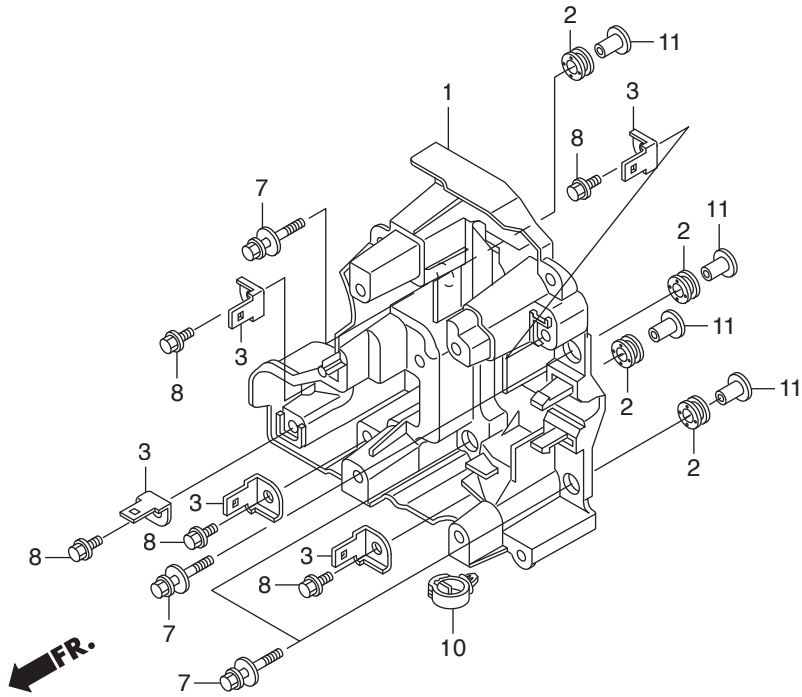
Ref.No.	Part No.	Description	Q' ty	Remarks	
			BFT250A		
E-18-10	2	HZY3-16193-A00	CLAMP, CHECK VALVE	1	
E-18-10	3	HZY3-16196-A00	TUBE, CHECK VALVE	1	
E-18-10	4	HZY3-16197-000	TUBE A, AIR VENT	1	
E-18-10	5	HZY3-16198-A00	TUBE B, AIR VENT	1	
E-18-10	6	HZY3-16199-A00	TUBE COMP., AIR VENT	1	
E-18-10	7	HZY3-16751-000	PIPE, FUEL	1	
E-18-10	8	H759-16911-003	STRAINER, FUEL PUMP	1	
E-18-10	9	HZW5-16915-000	SUSPENSION, STRAINER	1	
E-18-10	10	HVM0-16965-771	CLAMP, HOSE	2	
E-18-10	11	HKY7-17450-740	CLIP, TUBE	2	
E-18-10	12	HZY3-17721-000	JOINT, FUEL RETURN	1	
E-18-10	13	HZY3-17723-A01	HOSE A, PRESSURE REGULATOR	1	RETURN
E-18-10	14	HZY3-17724-010	HOSE B, PRESSURE REGULATOR	1	RETURN
E-18-10	15	HZY3-19258-010	TUBE, WATER IN.	1	
E-18-10	16	HZY3-19259-000	TUBE, WATER OUTLET	1	
E-18-10	17	HZY6-19269-000	T-JOINT	1	
E-18-10	18	HZY6-36135-003	VALVE, CHECK	1	
E-18-10	19	HZW5-90601-030	CLAMP, TUBE(D10.7)	4	
E-18-10	20	HZV0-90604-000	CLIP, TUBE(B12)	1	
E-18-10	21	HMB1-90655-921	CLIP, WIRE	1	
E-18-10	22	HSL0-91592-A51	CLAMP, FUEL TUBE	1	
E-18-10	23	HCO-95001-35055-40	TUBE, FUEL, 3.5X55	1	(HC-95001-35001-60M)
E-18-10	24	HCO-95003-05060-31	TUBE, VINYL, 3.5X6.5X600	1	(HC-95003-05001-60M)
E-18-10	25	HZY3-90601-030	CLAMP, TUBE(D10.5)	4	

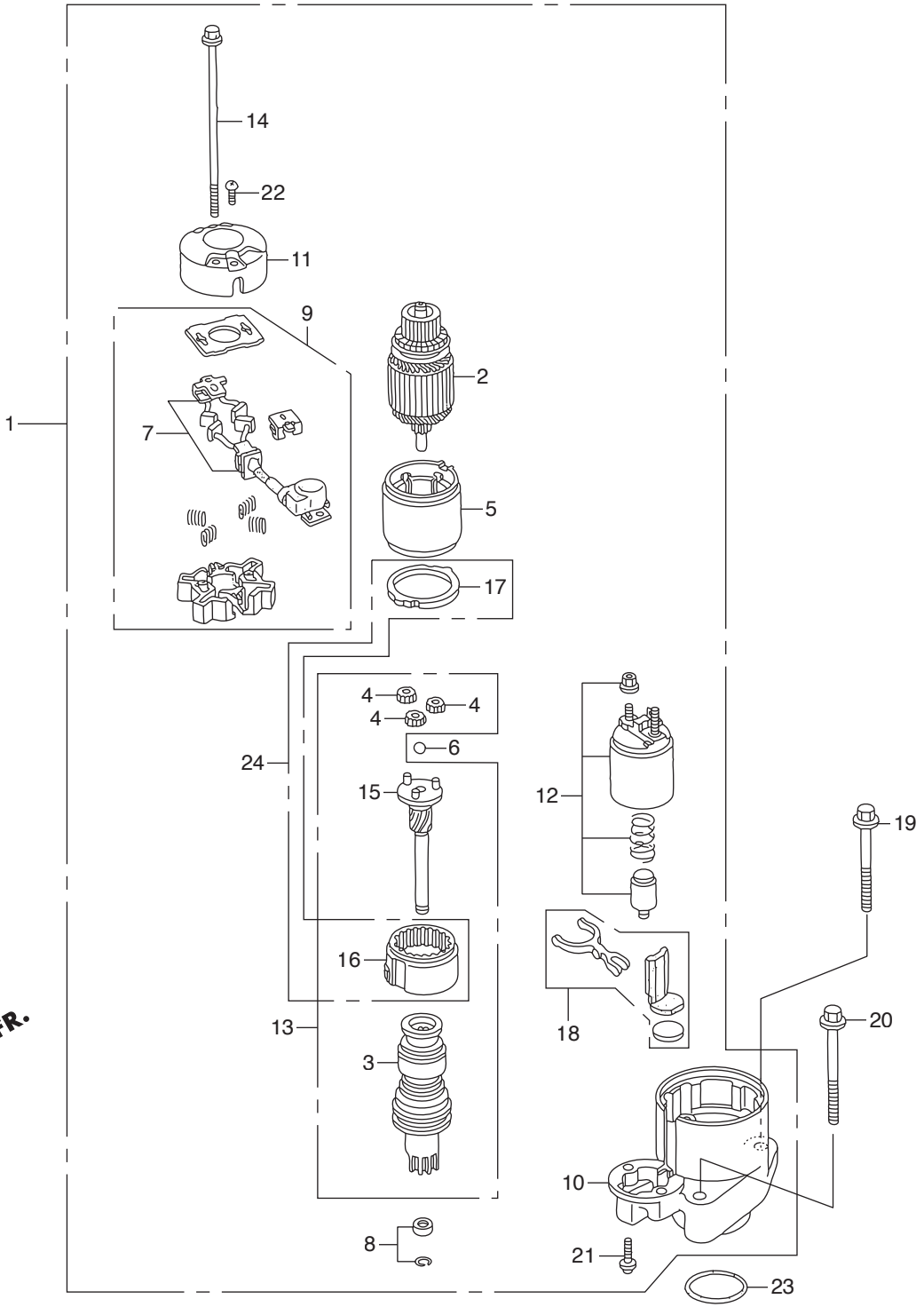
FR. 



Ref.No.	Part No.	Description	Q' ty	Remarks	
			BFT250A		
E-19	1	HPR7-31105-A01	HOLDER ASSY., BRUSH	1	
E-19	2	HPT0-31111-003	BEARING, RR. GENERATOR	1	
E-19	3	HPT0-31114-013	BEARING, FR. GENERATOR	1	
E-19	4	HPT0-31118-003	BUSH, INSULATION	4	
E-19	5	HPD1-31138-004	COVER, BEARING	1	
E-19	6	HP13-31141-003	PULLEY	1	
E-19	7	HPD1-31142-004	NUT, PULLEY LOCK	1	
E-19	8	HPD1-31145-004	BOLT, STUD, 6X68	4	
E-19	9	HPT0-31146-003	SCREW	4	
E-19	10	HP13-31147-003	SCREW	1	
E-19	11	HPT0-31147-003	SCREW-WASHER	3	
E-19	12	HP13-31148-003	SCREW, WAVE WASHER	4	
E-19	13	HPT0-31148-003	SCREW, WAVE WASHER	2	
E-19	14	HZY3-31630-003	GENERATOR ASSY., A.C.	1	LA,XA,XCA
E-19	14	HZY3-31630-013	GENERATOR ASSY., A.C.	1	XXA,XXCA
E-19	15	HZY3-31631-003	ROTOR ASSY.	1	
E-19	16	HZY3-31637-000	STAY, A.C. GENERATOR	1	
E-19	17	HZY3-31639-003	END COVER, RR.	1	
E-19	18	HZY3-31694-003	BUSH, INSULATION	1	
E-19	19	HZY3-31710-003	RECTIFIER ASSY.	1	
E-19	20	HZY3-31750-003	REGULATOR ASSY.	1	
E-19	21	HZX2-90002-000	BOLT, FLANGE, 10X90	1	
E-19	22	HZW5-90011-010	BOLT, SPECIAL ADJUSTER	1	
E-19	23	HZY3-90017-000	BOLT, FLANGE, 6X16	1	
E-19	24	HZY3-90055-000	BOLT, TENSIONER	1	
E-19	25	HZW5-90203-010	NUT, FLANGE, 8MM	1	
E-19	26	HPD1-90231-014	NUT-WASHER, 5MM	7	
E-19	27	HCO-94001-06080-0S	NUT, HEX., 6MM	1	

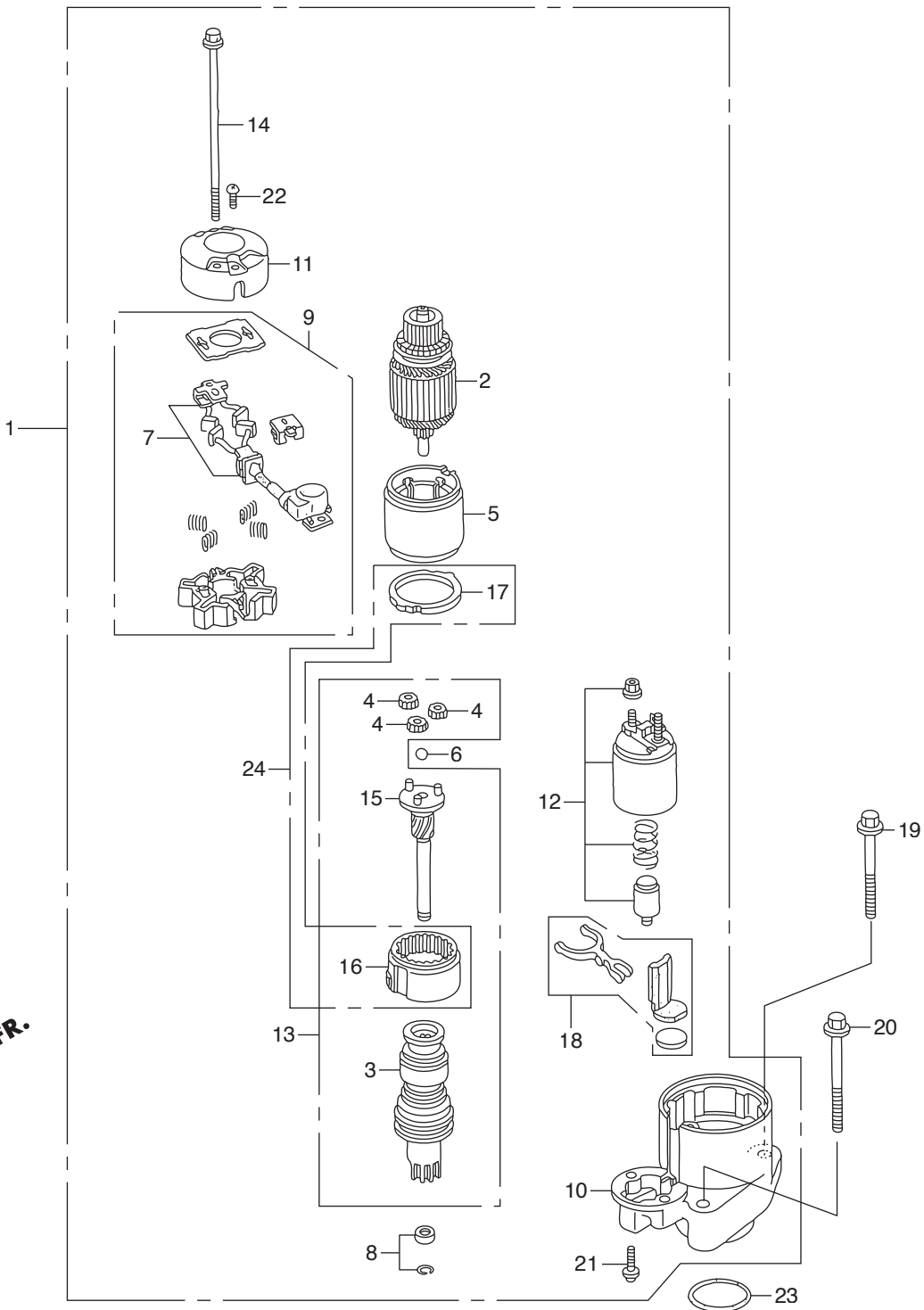


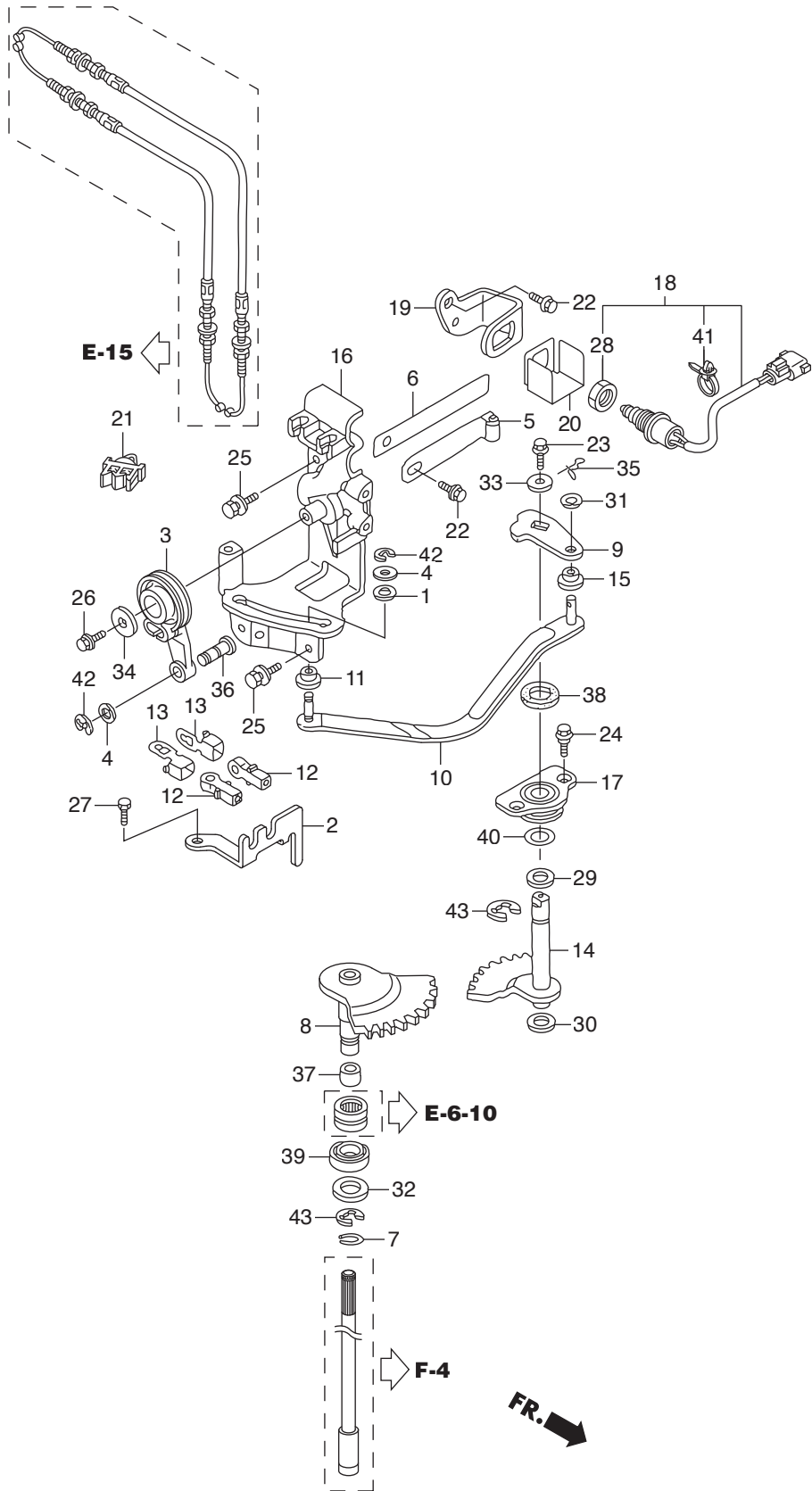




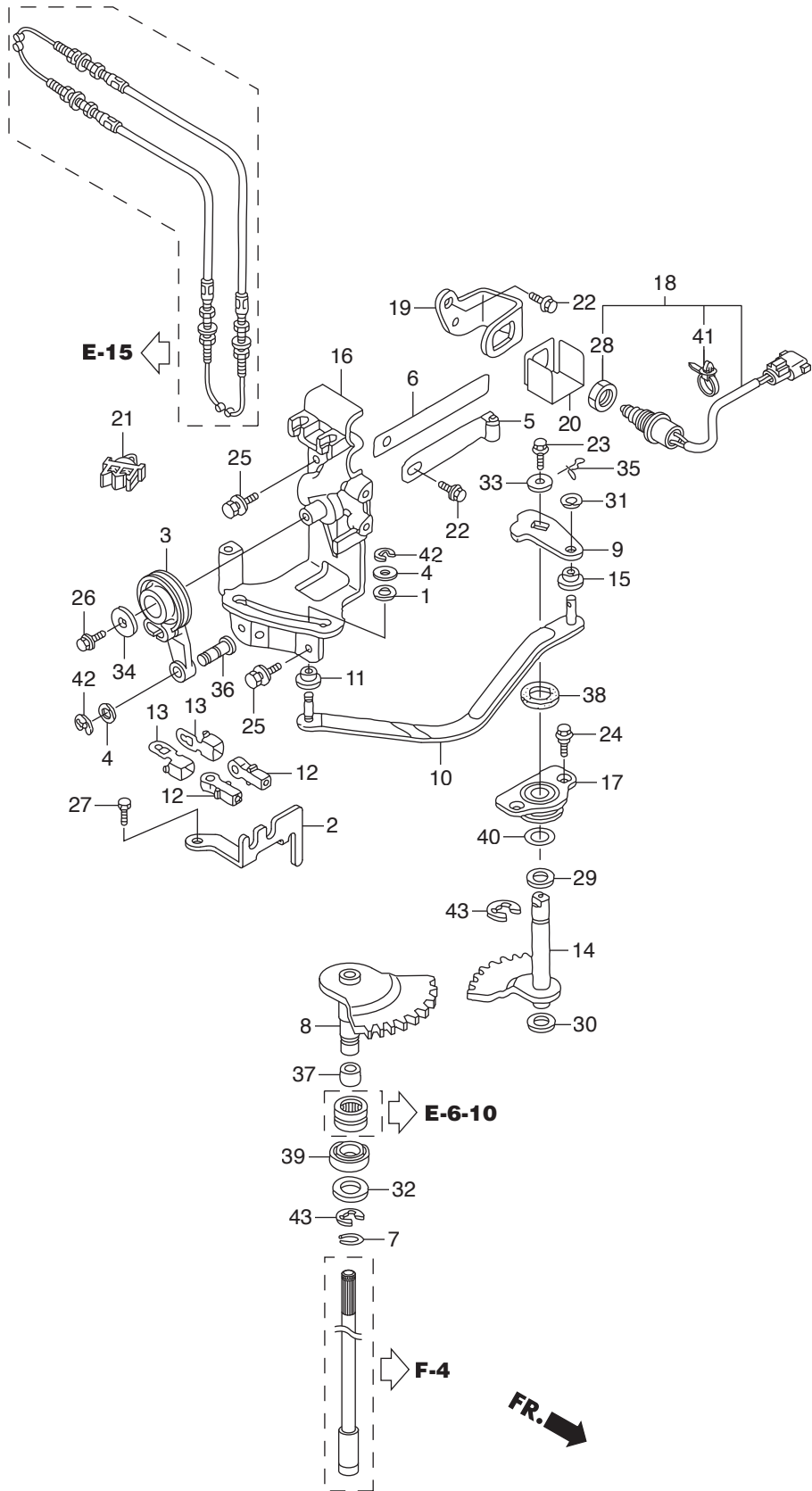
FR.

Ref.No.	Part No.	Description	Q' ty	Remarks	
			BFT250A		
E-21	1	HZY3-31200-003	MOTOR ASSY., STARTER	1	
E-21	2	HP5A-31201-005	ROTOR COMP.	1	
E-21	3	HZY3-31207-003	CLUTCH COMP., OVERRUNNING	1	LA,XA,XCA #~1003981
E-21	3	HZY9-31207-H01	CLUTCH COMP., OVERRUNNING	1	LA,XA,XCA #1003982~ XXA,XXCA
E-21	4	HPY3-31215-004	GEAR ASSY., PLANETARY	3	
E-21	5	HZY3-31216-003	YOKE COMP.	1	
E-21	6	HPY3-31218-004	BALL, STEEL	1	
E-21	7	HZW1-31226-004	BRUSH SET	1	LA,XA,XCA #~1003981
E-21	7	HZY3-31226-003	BRUSH SET	1	LA,XA,XCA #1003982~ XXA,XXCA
E-21	8	HZW1-31229-004	STOPPER SET, SLEEVE	1	LA,XA,XCA #~1003981
E-21	8	HZY9-31229-H01	STOPPER SET, SLEEVE	1	LA,XA,XCA #1003982~ XXA,XXCA
E-21	9	HZW1-31231-004	HOLDER COMP., BRUSH	1	LA,XA,XCA #~1003981
E-21	9	HZY3-31232-003	HOLDER COMP., BRUSH	1	LA,XA,XCA #1003982~ XXA,XXCA #1003982~
E-21	10	HZY3-31235-003	BRACKET, FR.	1	
E-21	11	HZY3-31236-003	BRACKET, RR.	1	
E-21	12	HZY3-31240-003	SWITCH ASSY., MAGNET	1	LA,XA,XCA #~1003981
E-21	12	HZY3-31241-003	SWITCH ASSY., MAGNET	1	LA,XA,XCA #1003982~ XXA,XXCA #1003982~
E-21	13	HZY3-31242-003	SHAFT ASSY., CLUTCH	1	LA,XA,XCA #~1003981
E-21	13	HZY3-31243-003	SHAFT ASSY., CLUTCH	1	LA,XA,XCA #1003982~ XXA,XXCA
E-21	14	HP5A-31243-005	BOLT A, THROUGH	2	
E-21	15	HZY3-31246-003	SHAFT ASSY., GEAR	1	LA,XA,XCA #~1003981
E-21	15	HZY9-31246-H01	SHAFT ASSY., GEAR	1	LA,XA,XCA #1003982~ XXA,XXCA

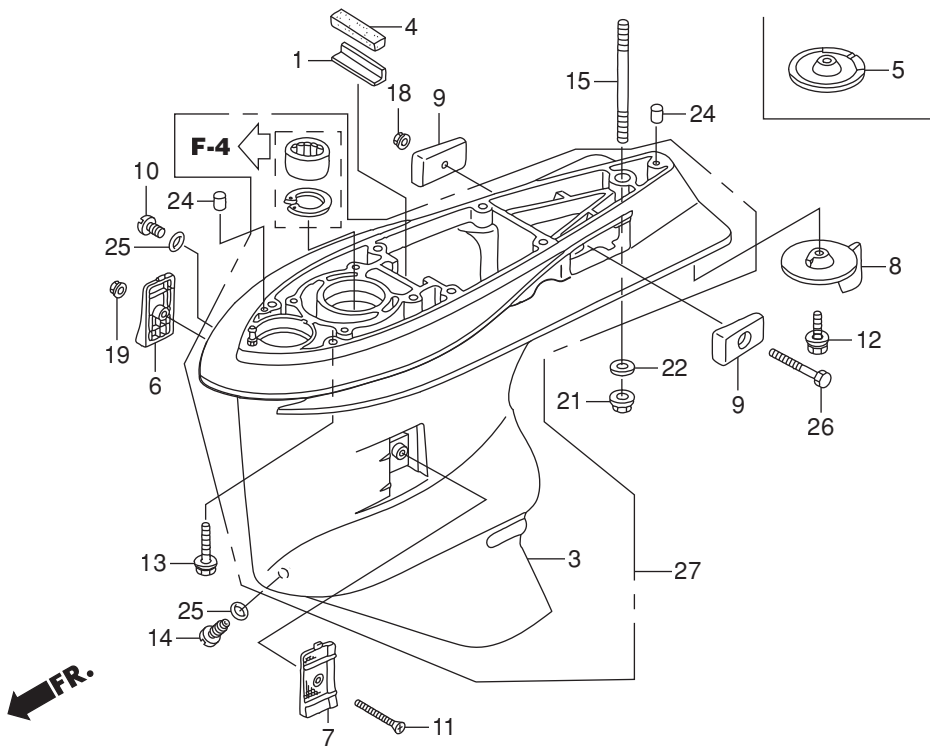
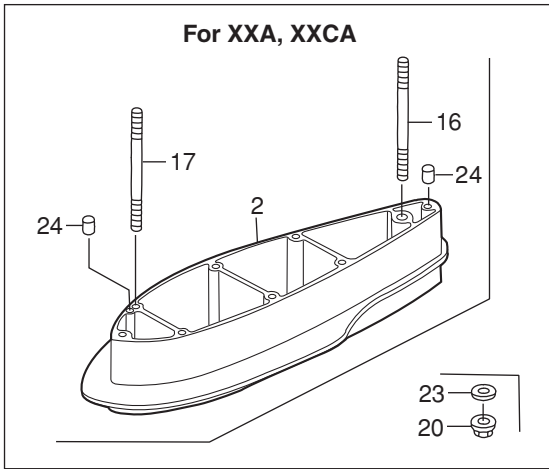




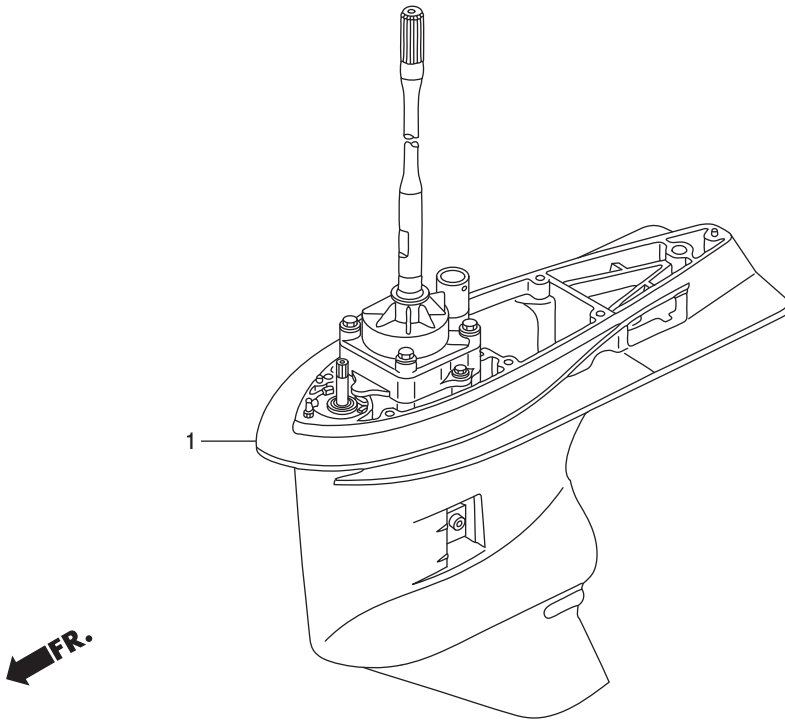
Ref.No.	Part No.	Description	Q' ty	Remarks	
			BFT250A		
F-2	1	HKN5-17224-670	WASHER, AIR CLEANER COVER	1	SETTING
F-2	2	HZY3-17877-000	PLATE, REMOTE CONTROL CABLE	1	
F-2	3	HZY3-17931-000	ARM, THROTTLE	1	
F-2	4	H921-17936-000	WASHER, PIVOT	2	
F-2	5	HZW1-24210-010	SPRING COMP., CLICK	1	
F-2	6	HZY3-24221-000	SPRING, CLICK ASSIST	1	
F-2	7	HZW1-24327-000	RING, STOPPER	1	
F-2	8	HZY3-24610-A00	SHAFT COMP., SHIFT(A)	1	
F-2	9	HZY3-24612-010	ARM, SHIFT	1	
F-2	10	HZY3-24613-000	ROD, LINK	1	
F-2	11	HZY3-24617-000	COLLAR, SHIFT SLIDER	1	
F-2	12	HZY3-24618-000	PIVOT, SHIFT	2	
F-2	13	HZY3-24619-000	PLATE, LOCK	2	
F-2	14	HZY3-24620-000	SHAFT COMP., SHIFT(B)	1	
F-2	15	HZY3-24623-000	BUSH, SHIFT ARM	1	
F-2	16	HZY3-24628-000	BRACKET, SHIFT LINK	1	
F-2	17	HZW1-24629-000	HOLDER, SEAL	1	
F-2	18	HZX2-35470-013	SWITCH ASSY., NEUTRAL	1	
F-2	19	HZY3-35476-010	BRACKET, NEUTRAL SWITCH	1	
F-2	20	HZY3-35477-000	COVER, NEUTRAL SWITCH	1	
F-2	21	HS0X-46392-A01	CLIP, BRAKE PIPE	1	
F-2	22	HZW9-90011-000	BOLT, FLANGE, 6X14(CT200)	2	
F-2	23	HZY3-90017-000	BOLT, FLANGE, 6X16	1	
F-2	24	HZW5-90023-000	BOLT, FLANGE, 6X11	2	
F-2	25	HZX2-90101-C00	BOLT-WASHER, 6X16	3	
F-2	26	HZW9-90102-000	BOLT, FLANGE, 6X12	1	
F-2	27	HZV4-90127-000	BOLT, HEX., 6X16	1	
F-2	28	HZV5-90302-003	NUT, HEX., 20MM	1	
F-2	29	HHA0-90402-000	WASHER, THRUST, 14MM	1	



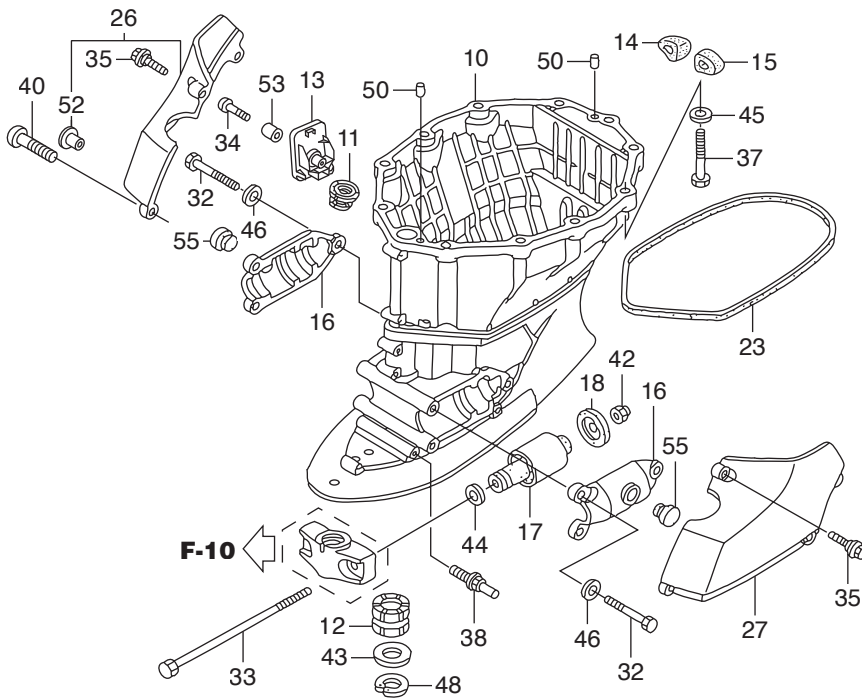
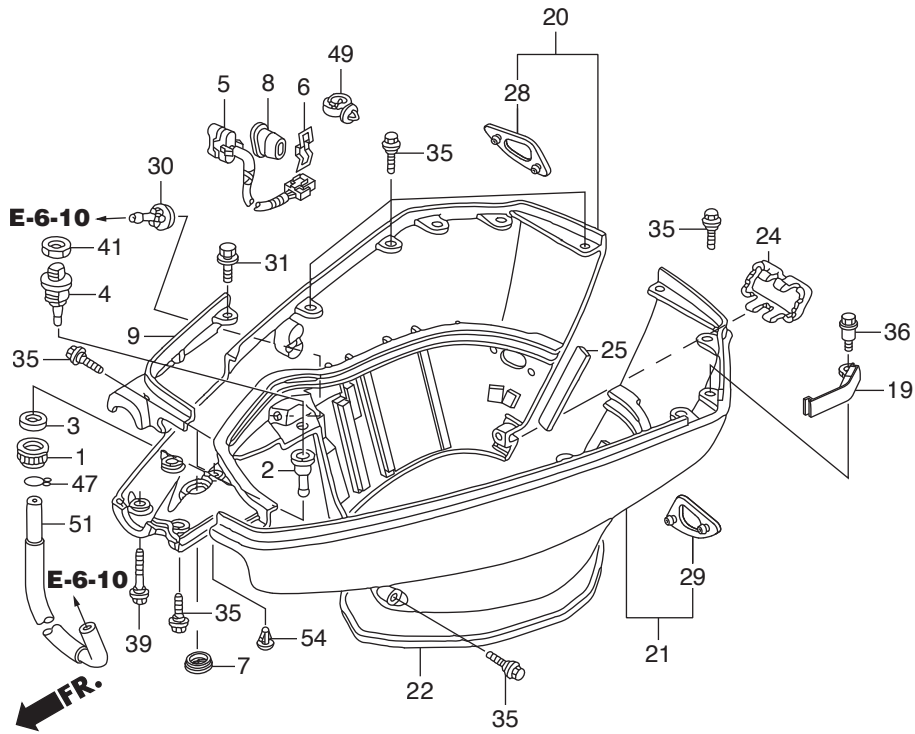
Ref.No.	Part No.	Description	Q' ty	Remarks	
			BFT250A		
F-2	30	H958-90428-000	WASHER B, THRUST, 14MM	1	
F-2	31	HZV4-90506-000	WASHER, PLAIN, 6MM	1	
F-2	32	HZV7-90508-000	WASHER	1	
F-2	33	HZY3-90508-000	WASHER, PLAIN, 6MM	1	
F-2	34	HZV4-90512-000	WASHER, PLAIN, 6MM	1	
F-2	35	HSD2-90705-931	PIN, SNAP, 6MM	1	
F-2	36	HZY3-90751-000	PIN, LINK	1	
F-2	37	HZY3-91152-003	RING, INNER(15X20X23)	1	
F-2	38	HZW5-91251-003	OIL SEAL, 14X26X6	1	
F-2	39	HZY3-91255-003	SEAL, WATER(14X26X8)	1	
F-2	40	HPF0-91302-003	O-RING, 26.9X2.4(NOK)	1	
F-2	41	HS0A-91541-003	CLIP, HARNESS BAND(BLACK)	1	(145MM)
F-2	42	HCO-94540-04029	E-RING, 4MM	2	
F-2	43	HCO-94540-12029	E-RING, 12MM	2	



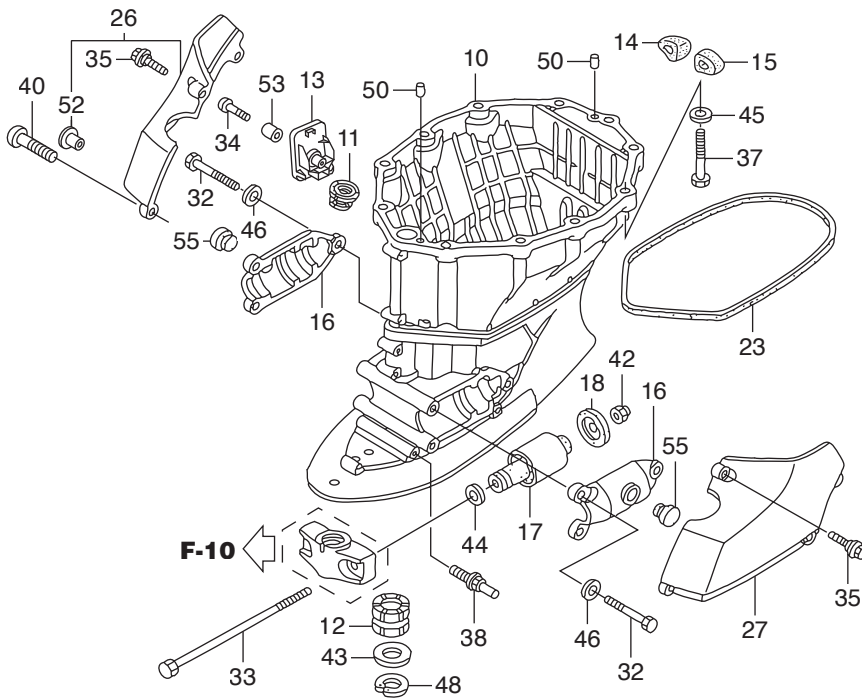
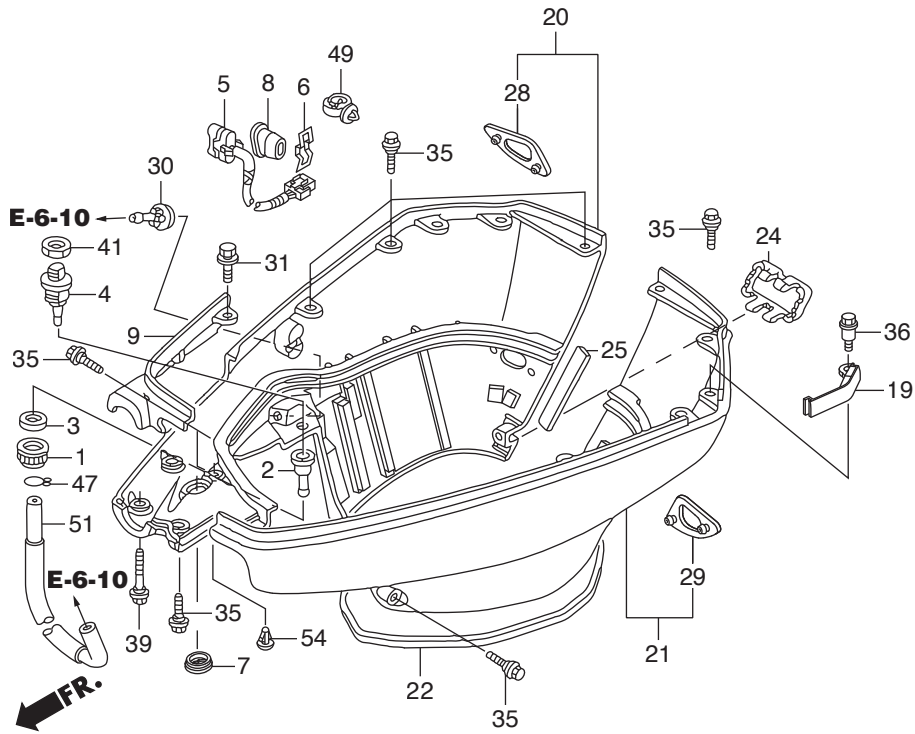
Ref.No.	Part No.	Description	Q' ty	Remarks	
			BFT250A		
F-3	1	HZW1-19286-B00	PLATE, RUBBER SETTING	1	
F-3	2	HZY3-40202-621ZC	SEPARATOR, EXTENSION	1	*T107*BAY BLUE XXA,XXCA
F-3	3	HZX2-41101-C01ZC	CASE, GEAR	1	*T107*BAY BLUE
F-3	4	HZW1-41102-B00	GROMMET, GEAR CASE	1	
F-3	5	HZX2-41102-E00ZC	COVER, GEAR CASE	1	*T107*BAY BLUE XCA,XXCA
F-3	6	HZY3-41104-C01	SCREEN, R. WATER	1	
F-3	7	HZY3-41105-C01	SCREEN, L. WATER	1	
F-3	8	HZX2-41107-C00ZC	TAB, TRIM	1	*T107*BAY BLUE LA,XA,XXA
F-3	9	HZW1-41109-B00	METAL COMP., ANODE	2	
F-3	10	HZW9-90101-003	BOLT, OIL CHECK	1	
F-3	11	HZZ0-90101-000	SCREW, FLAT, 5X55	1	
F-3	12	HZY6-90103-000	BOLT-WASHER, 10X32	1	
F-3	13	HZX2-90107-C00	BOLT-WASHER, 10X47	6	LA,XA,XCA
F-3	14	HZY3-90120-000	BOLT, DRAIN PLUG	1	
F-3	15	HZY3-90124-000	BOLT, STUD, 12X40	1	LA,XA,XCA
F-3	16	HZY3-90130-620	BOLT, STUD, 12X170	1	XXA,XXCA
F-3	17	HZY3-90131-620	BOLT, STUD, 10X170	6	XXA,XXCA
F-3	18	HZY1-90205-000	NUT, SELF-LOCK, 6MM	1	
F-3	19	HZV4-90302-000	NUT, SELF-LOCK, 5MM	1	
F-3	20	HZV5-90306-003	NUT, SELF-LOCK, 10MM	6	XXA,XXCA
F-3	21	HZW1-90308-003	NUT, SELF-LOCK, 12MM	1	
F-3	22	HZV5-90559-000	WASHER, PLAIN, 12MM	1	
F-3	23	HZV5-90563-000	WASHER, PLAIN, 10MM	6	XXA,XXCA
F-3	24	HZV5-90756-000	DOWEL PIN, 6X10	2	LA,XA,XCA
F-3	24	HZV5-90756-000	DOWEL PIN, 6X10	4	XXA,XXCA
F-3	25	HZW4-91301-003	O-RING, 6.9X1.45	2	
F-3	26	HCO-92101-06055-4J	BOLT, HEX., 6X55	1	
F-3	27	HZX2-41110-305ZB	CASE COMP., GEAR	1	*T107*BAY BLUE



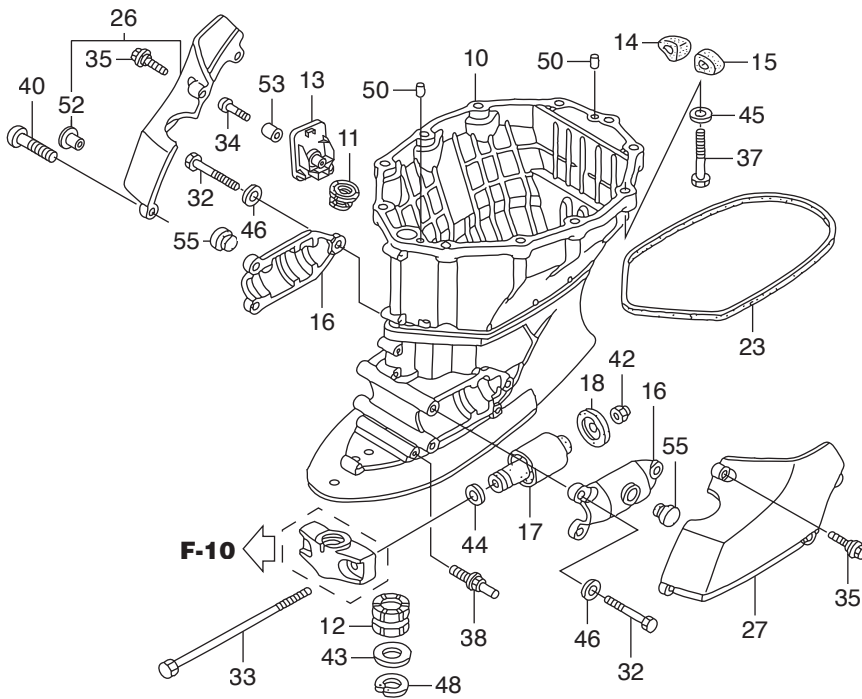
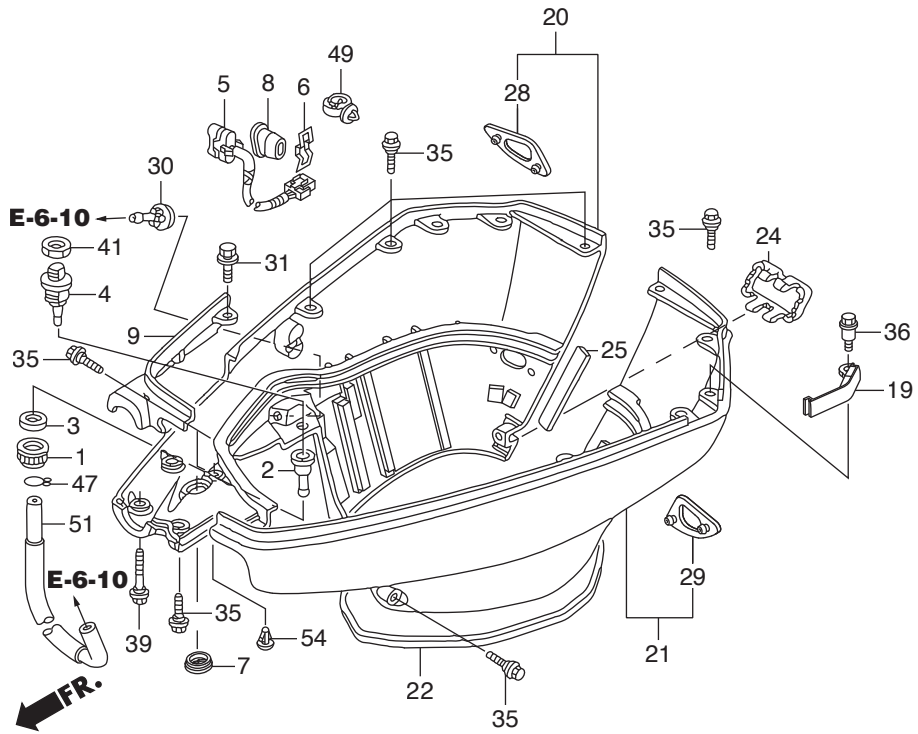
Ref.No.	Part No.	Description	Q' ty	Remarks	
			BFT250A		
F-3-10	1	HZX2-41100-C01ZC	CASE ASSY., GEAR(L)	1	*T107*BAY BLUE LA
F-3-10	1	HZX2-41100-C11ZC	CASE ASSY., GEAR(XL)	1	*T107*BAY BLUE XA
F-3-10	1	HZX2-41100-E01ZC	CASE ASSY., GEAR(XL)	1	*T107* BAY BLUE (COUNTER ROTATION) XCA
F-3-10	1	HZX2-41100-C21ZC	CASE ASSY., GEAR(XXL)	1	*T107* BAY BLUE XXA
F-3-10	1	HZX2-41100-E11ZC	CASE ASSY., GEAR(XXL)	1	*T107* BAY BLUE (COUNTER ROTATION) XXCA

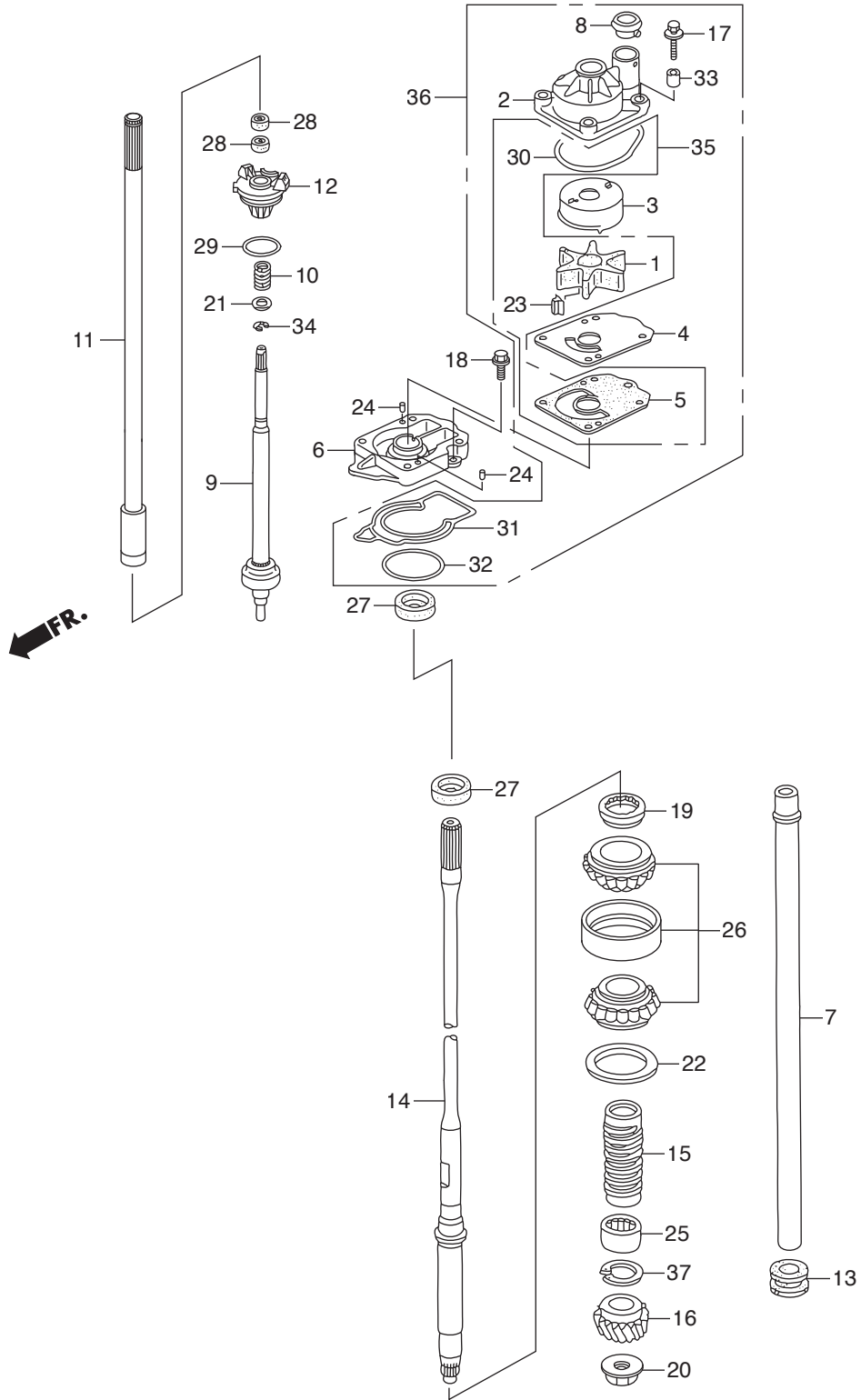


Ref.No.	Part No.	Description	Q' ty	Remarks	
			BFT250A		
F-3-20	1	HZY3-19270-000	NUT, WATER MOUTH	1	
F-3-20	2	HZY3-19271-000	JOINT, WATER HOSE	1	
F-3-20	3	HZY3-19272-000	SEAT, WATER MOUTH	1	
F-3-20	4	HZY3-19289-000	CAP, WATER JOINT	1	
F-3-20	5	HZY3-35640-013	SWITCH ASSY., POWER TILT	1	
F-3-20	6	HZY3-35645-000	STAY, POWER TILT SWITCH	1	
F-3-20	7	HZV5-40107-000	GROMMET, UNDER CASE(C)	1	
F-3-20	8	HZY3-40114-010	GROMMET, POWER TILT SWITCH	1	
F-3-20	9	HZY3-40151-000ZC	COVER, FR. SEPARATE	1	*T107*BAY BLUE
F-3-20	10	HZY3-40201-020ZC	CASE, EXTENSION	1	*T107*BAY BLUE LA
F-3-20	10	HZY3-40201-612ZC	CASE, EXTENSION	1	*T107*BAY BLUE XA,XCA,XXA,XXCA
F-3-20	11	HZW1-40209-000	RUBBER, DRAIN PLUG	1	
F-3-20	12	HZY3-40210-610	BUSH COMP., VERTICAL SHAFT	1	XA,XCA,XXA,XXCA
F-3-20	13	HZY3-40212-010ZC	COVER, DRAIN PLUG(L)	1	*T107*BAY BLUE LA
F-3-20	13	HZY3-40212-611ZC	COVER, DRAIN PLUG(XL)	1	*T107*BAY BLUE XA,XCA,XXA,XXCA
F-3-20	14	HZY3-40225-010	SEAL, R. IDOL PORT	1	
F-3-20	15	HZY3-40226-010	SEAL, L. IDOL PORT	1	
F-3-20	16	HZY3-50111-020	HOUSING, LOWER MOUNTING	2	
F-3-20	17	HZY3-50155-000	MOUNT COMP., LOWER RUBBER	2	
F-3-20	18	HZY3-50157-010	STOPPER, LOWER MOUNT	2	
F-3-20	19	HZY3-63347-C00	COVER, PLUG MAINTENANCE	1	
F-3-20	20	HZX2-63710-C00ZB	COVER COMP., R. UNDER ENGINE	1	*T107*BAY BLUE
F-3-20	21	HZX2-63715-C00ZB	COVER COMP., L. UNDER ENGINE	1	*T107*BAY BLUE
F-3-20	22	HZY3-63718-000	SEAL A, COVER UNDER	1	
F-3-20	23	HZX2-63719-C00	SEAL B, COVER UNDER	1	
F-3-20	24	HZY3-63722-010ZC	CAP, UNDER COVER	1	*T107*BAY BLUE
F-3-20	25	HZY3-63728-000	SEAL C, UNDER COVER	1	
F-3-20	26	HZY3-63731-A03ZC	COVER, R. LOWER MOUNTING(L)	1	*T107*BAY BLUE LA
F-3-20	26	HZY3-63731-A12ZC	COVER, R. LOWER MOUNTING(XL)	1	*T107*BAY BLUE XA,XCA,XXA,XXCA

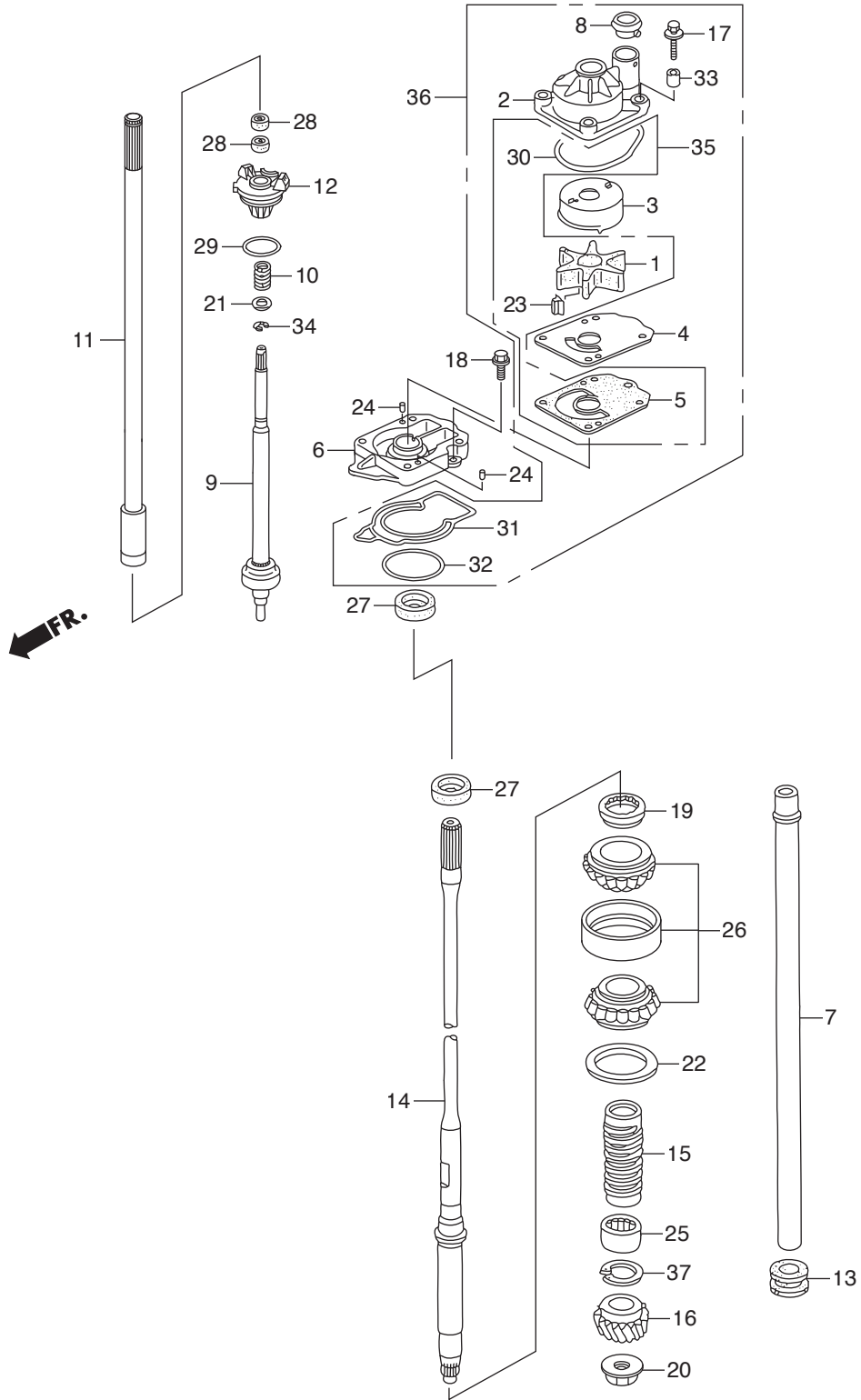


Ref.No.	Part No.	Description	Q' ty	Remarks	
			BFT250A		
F-3-20	27	HZY3-63736-A03ZC	COVER, L. LOWER MOUNTING(L)	1	*T107*BAY BLUE LA
F-3-20	27	HZY3-63736-A12ZC	COVER, L. LOWER MOUNTING(XL)	1	*T107*BAY BLUE XA,XCA,XXA,XXCA
F-3-20	28	HZY3-63751-C00	GROMMET, R. IDLE PORT	1	
F-3-20	29	HZY3-63756-C00	GROMMET, L. IDLE PORT	1	
F-3-20	30	HZV5-82873-003	GROMMET, WATER CHECK	1	
F-3-20	31	HZX2-90102-C00	BOLT-WASHER, 6X25	2	
F-3-20	32	HZY3-90102-A00	BOLT, HEX., 10X35	6	
F-3-20	33	HZY3-90105-010	BOLT, HEX., 14X180	2	
F-3-20	34	HZV5-90110-000	SCREW, SPECIAL, 6X35	1	
F-3-20	35	HZY3-90111-000	BOLT, SPECIAL, 6X17	26	
F-3-20	36	HZY3-90113-C00	BOLT, SPECIAL, 6X22	1	
F-3-20	37	HZY3-90122-000	BOLT, HEX., 12X50	11	
F-3-20	38	HZY3-90129-A00	BOLT, SPECIAL, 6X12	2	
F-3-20	39	HZY3-90132-000	BOLT, SPECIAL, 6X37	2	
F-3-20	40	HZY3-90134-000	SCREW-WASHER, 6X40	1	LA
F-3-20	40	HCO-93500-06025-4J	SCREW, PAN, 6X25	1	XA,XCA,XXA,XXCA
F-3-20	41	H921-90302-000	NUT, HEX., 16MM	1	
F-3-20	42	HZY3-90302-000	NUT, SELF-LOCK, 14MM	2	
F-3-20	43	HZY3-90503-610	WASHER, 30MM	1	XA,XCA,XXA,XXCA
F-3-20	44	HZY3-90511-000	WASHER, PLAIN, 14MM	2	
F-3-20	45	HZV5-90559-000	WASHER, PLAIN, 12MM	11	
F-3-20	46	HZV5-90563-000	WASHER, PLAIN, 10MM	6	
F-3-20	47	HZV4-90605-000	CLIP, TUBE(B12.5)	1	
F-3-20	48	HZY3-90652-000	CIRCLIP, INTERNAL, 43	1	XA,XCA,XXA,XXCA
F-3-20	49	HSA0-90683-003	CLIP, WIRE HARNESS, 25MM	1	
F-3-20	50	HZV5-90756-000	DOWEL PIN, 6X10	2	
F-3-20	51	HZY3-91451-000	TUBE, WATER JOINT	1	
F-3-20	52	HZY3-91552-000	COLLAR, 6.2X10X25.5	1	LA
F-3-20	52	HZY6-91553-000	COLLAR, DISTANCE, 6.5X9X5	1	XA,XCA,XXA,XXCA

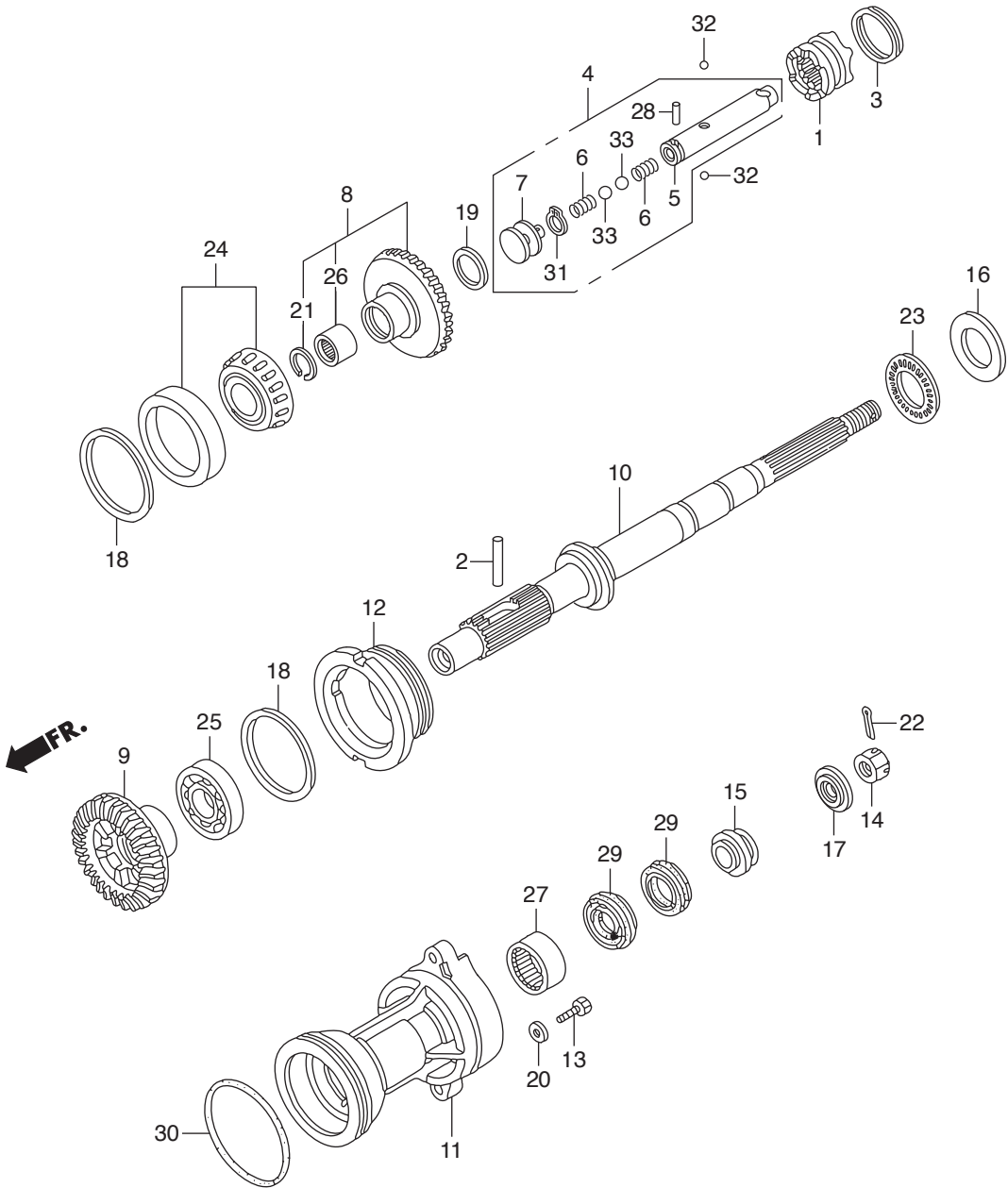




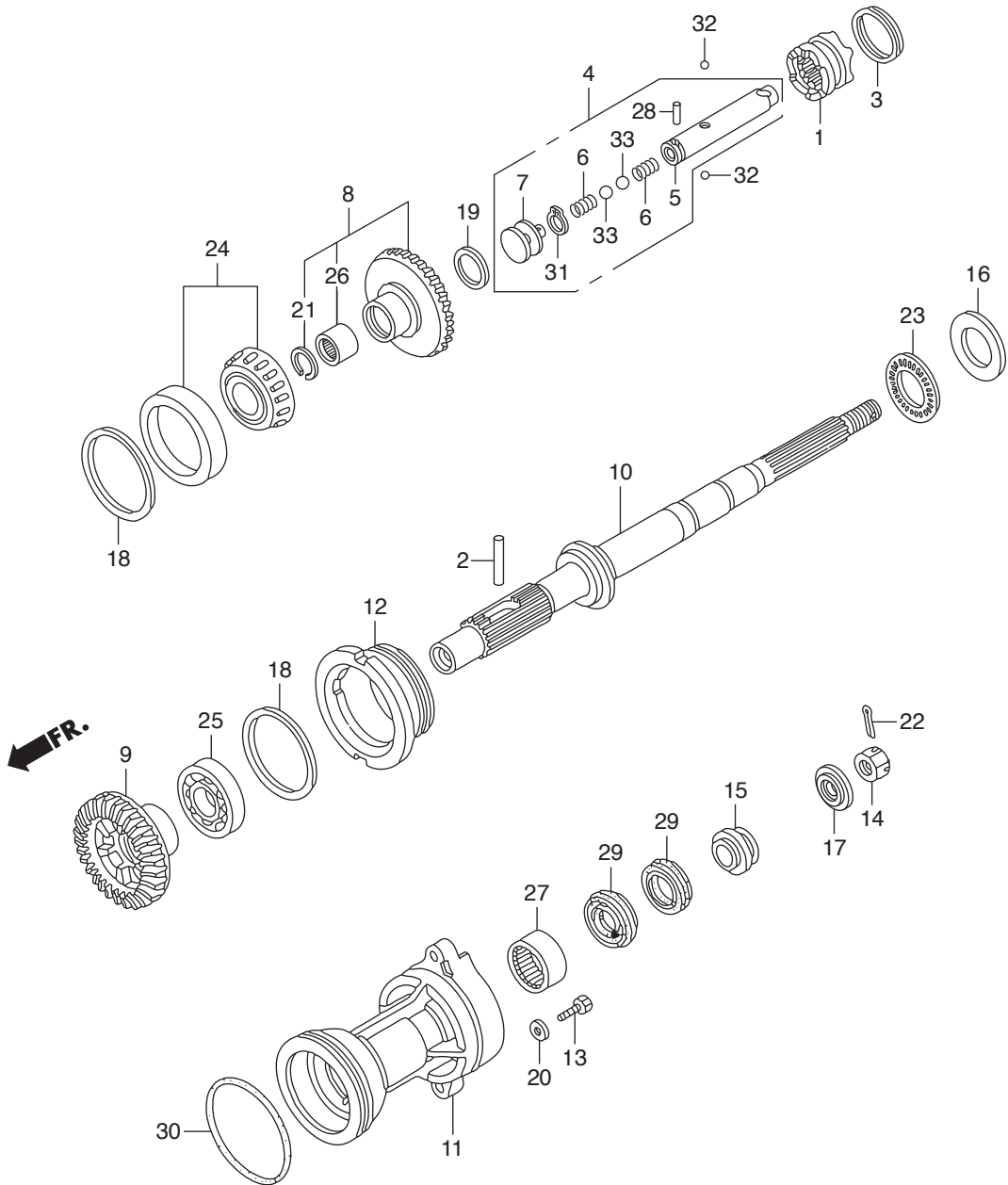
Ref.No.	Part No.	Description	Q' ty	Remarks	
			BFT250A		
F-4	1	HZY3-19210-003	IMPELLER, PUMP	1	
F-4	2	HZY3-19221-010	HOUSING, IMPELLER	1	
F-4	3	HZY3-19223-000	LINER, PUMP	1	
F-4	4	HZY3-19231-000	COVER, IMPELLER	1	
F-4	5	HZX2-19234-C00	GASKET B, IMPELLER	1	
F-4	6	HZX2-19241-C00	HOUSING, WATER PUMP	1	
F-4	7	HZY3-19251-000	TUBE, WATER(L)	1	LA
F-4	7	HZY3-19251-611	TUBE, WATER(XL)	1	XA,XCA
F-4	7	HZY3-19251-621	TUBE, WATER(XXL)	1	XXA,XXCA
F-4	8	HZY3-19253-000	RING, WATER TUBE SEAL	1	
F-4	9	HZY3-24310-C00	ROD COMP., SHIFT	1	LA,XA,XXA
F-4	9	HZY3-24310-E00	ROD COMP., SHIFT	1	(COUNTER ROTATION) XCA,XXCA
F-4	10	HZY3-24318-000	SPRING, SHIFT ROD	1	
F-4	11	HZY6-24320-000	ROD COMP. A, SHIFT(L)	1	LA
F-4	11	HZY6-24320-610	ROD COMP. A, SHIFT(XL)	1	XA,XCA
F-4	11	HZY3-24320-A20	ROD COMP. A, SHIFT(XXL)	1	XXA,XXCA
F-4	12	HZW1-24343-B02	HOLDER, SHIFT ROD	1	
F-4	13	HZY3-40204-000	GROMMET, EXTENSION CASE	1	
F-4	14	HZX2-41112-C00	SHAFT, VERTICAL(L)	1	LA
F-4	14	HZX2-41112-C10	SHAFT, VERTICAL(XL)	1	XA,XCA
F-4	14	HZX2-41112-C20	SHAFT, VERTICAL(XXL)	1	XXA,XXCA
F-4	15	HZY3-41116-000	SLINGER, OIL	1	
F-4	16	HZX2-41131-C00	GEAR, PINION	1	LA,XA,XXA
F-4	16	HZX2-41131-E00	GEAR, PINION(COUNTER ROTATION)	1	XCA,XXCA
F-4	17	HZX2-90105-C00	BOLT, WASHER, 8X60	4	
F-4	18	HHW1-90215-671	BOLT, FLANGE, 6X16	1	
F-4	19	HZX2-90301-C00	NUT, LOCK, 68MM	1	
F-4	20	HZX2-90303-C00	NUT, HEX., 18MM	1	
F-4	21	H723-90472-000	WASHER, PLAIN, 12MM	1	



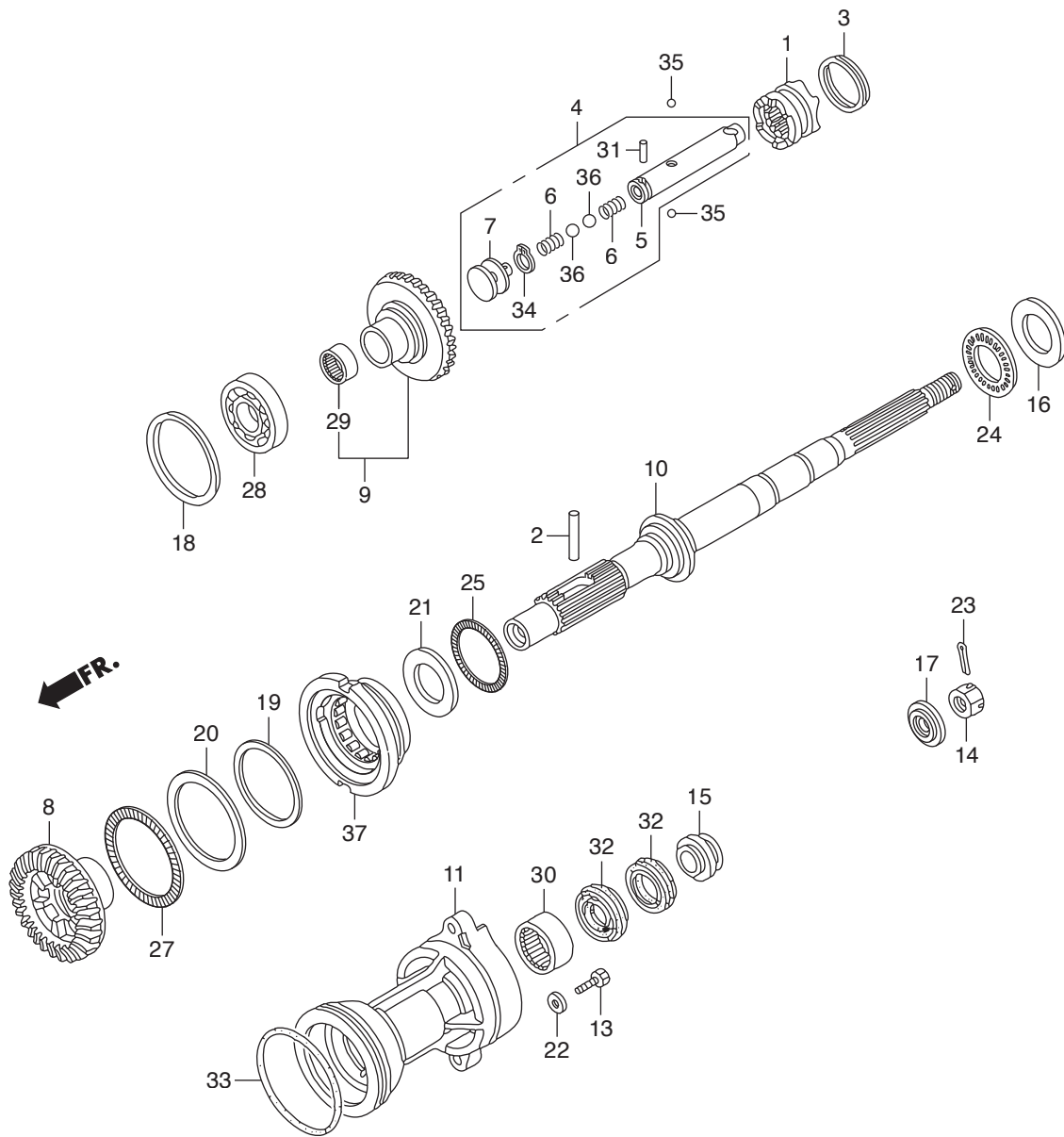
Ref.No.	Part No.	Description	Q' ty	Remarks	
			BFT250A		
F-4	22	HZX2-90518-C00	SHIM A, GEAR(0.10)	1	
F-4	22	HZX2-90519-C00	SHIM B, GEAR(0.15)	1	
F-4	22	HZX2-90520-C00	SHIM C, GEAR(0.30)	1	
F-4	22	HZX2-90521-C00	SHIM D, GEAR(0.50)	1	
F-4	23	HZY3-90752-003	KEY, WOODRUFF	1	
F-4	24	HZV5-90756-000	DOWEL PIN, 6X10	2	
F-4	25	HZX2-91053-C01	BEARING, NEEDLE, 30.5X47X37	1	
F-4	26	HZX2-91056-C01	BEARING, TAPER ROLLER,	1	32X66X49
F-4	27	HZY3-91251-C01	SEAL, WATER, 26X42X7	2	
F-4	28	HZY3-91254-003	SEAL, WATER, 12X21X6	2	
F-4	29	HMJ0-91308-003	O-RING	1	
F-4	30	HZY3-91356-003	O-RING, WATER PUMP	1	
F-4	31	HZX2-91358-C00	O-RING, WATER PUMP HOUSING	1	
F-4	32	HZX2-91359-C00	O-RING, 65.4X2.4	1	
F-4	33	HZY3-91551-000	COLLAR, DISTANCE	4	
F-4	34	HCO-94540-10019	E-RING, 10MM	1	
F-4	35	HZX2-06192-C00	PUMP KIT, IMPELLER	1	
F-4	36	HZX2-06193-C00	PUMP KIT, IMPELLER	1	
F-4	37	HCO-94520-47000	CIRCLIP, INTERNAL, 47MM	1	



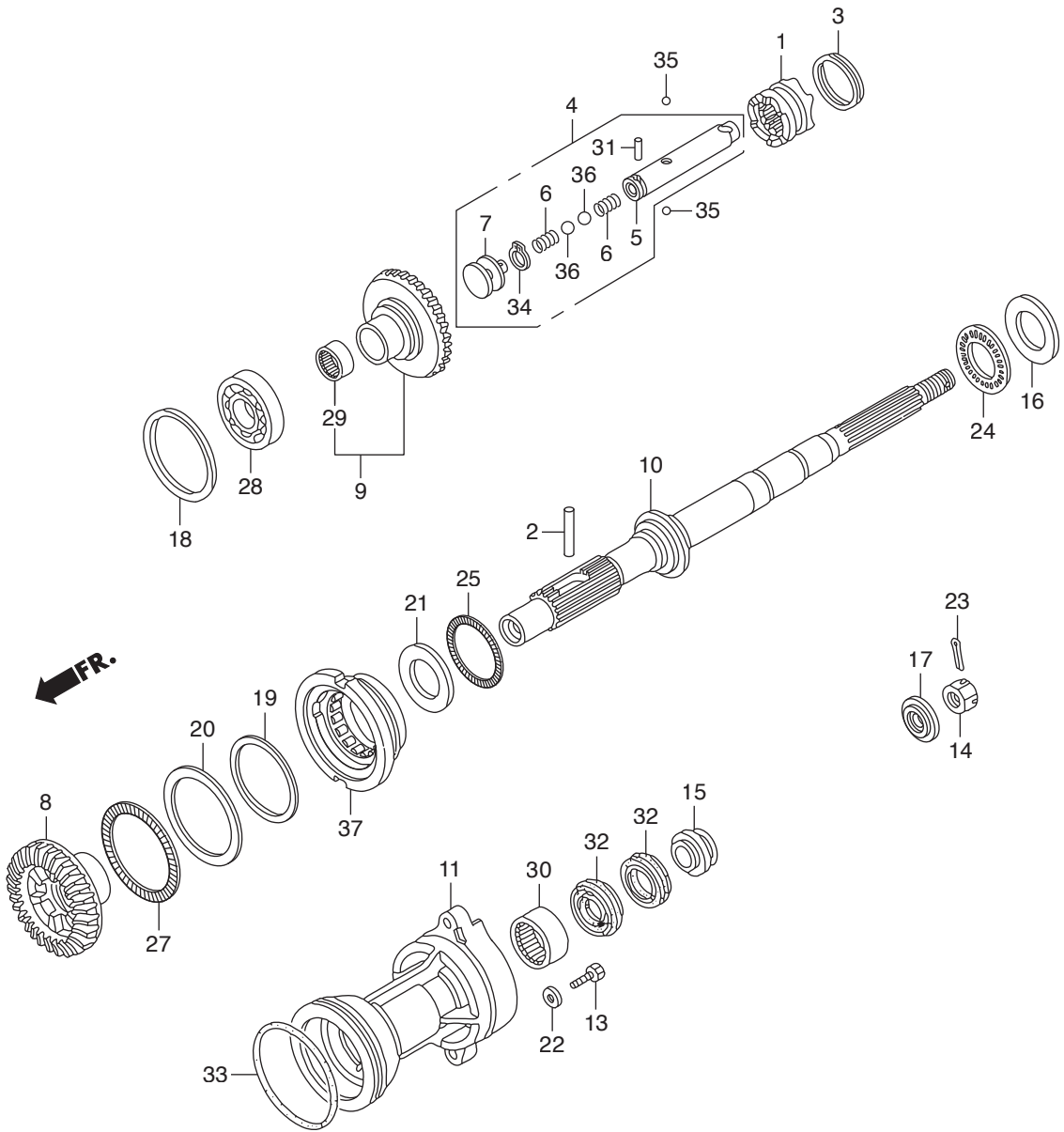
Ref.No.	Part No.	Description	Q' ty	Remarks	
			BFT250A		
F-5	1	HZX2-24101-C00	SHIFTER, CLUTCH	1	LA,XA,XXA
F-5	2	HZY3-24102-000	PIN, SHIFTER, 8X50	1	LA,XA,XXA
F-5	3	HZY3-24103-000	RING, CROSS PIN	1	LA,XA,XXA
F-5	4	HZY3-24113-A01	SLIDER COMP., SHIFT	1	LA,XA,XXA
F-5	5	HZY3-24122-A01	SLIDER, SHIFT	1	LA,XA,XXA
F-5	6	HZY3-24123-000	SPRING, SHIFT	2	LA,XA,XXA
F-5	7	HZY3-24124-310	PLATE, SHIFT	1	LA,XA,XXA
F-5	8	HZX2-41140-C00	GEAR COMP., BEVEL(FORWARD)	1	(24T) LA,XA,XXA
F-5	9	HZX2-41151-C00	GEAR, BEVEL(REVERSE)(24T)	1	LA,XA,XXA
F-5	10	HZX2-41161-C00	SHAFT, PROPELLER	1	LA,XA,XXA
F-5	11	HZX2-41201-C00ZC	HOLDER, PROPELLER SHAFT	1	*T107*BAY BLUE LA,XA,XXA
F-5	12	HZX2-41202-C00	HOLDER, BEARING	1	LA,XA,XXA
F-5	13	HZY3-90123-000	BOLT, HEX., 12X45	2	LA,XA,XXA
F-5	14	HZW1-90301-B00	NUT, CASTLE, 18MM	1	LA,XA,XXA,XXCA
F-5	15	HZY3-90506-000	WASHER, PROPELLER THRUST	1	LA,XA
F-5	15	HZX2-90506-C00	WASHER, PROPELLER THRUST	1	LA,XA #6000072~ XXA,XXCA
F-5	16	HZW5-90509-711	WASHER, THRUST BEARING	1	LA,XA,XXA
F-5	17	HZY3-90512-000	WASHER, PROPELLER	1	LA,XA
F-5	17	HZX2-90512-C00	WASHER, PROPELLER	1	LA,XA #6000072~ XXA,XXCA
F-5	18	HZX2-90528-C00	SHIM A, BEVEL(0.10)	2	LA,XA,XXA
F-5	18	HZX2-90529-C00	SHIM B, BEVEL(0.15)	2	LA,XA,XXA
F-5	18	HZX2-90530-C00	SHIM C, BEVEL(0.30)	2	LA,XA,XXA
F-5	18	HZX2-90531-C00	SHIM D, BEVEL(0.50)	2	LA,XA,XXA
F-5	19	HZY3-90548-000	SHIM A, THRUST(2.75)	1	LA,XA,XXA
F-5	19	HZY3-90549-000	SHIM B, THRUST(2.80)	1	LA,XA,XXA
F-5	19	HZY3-90550-000	SHIM C, THRUST(2.85)	1	LA,XA,XXA
F-5	19	HZY3-90551-000	SHIM D, THRUST(2.90)	1	LA,XA,XXA



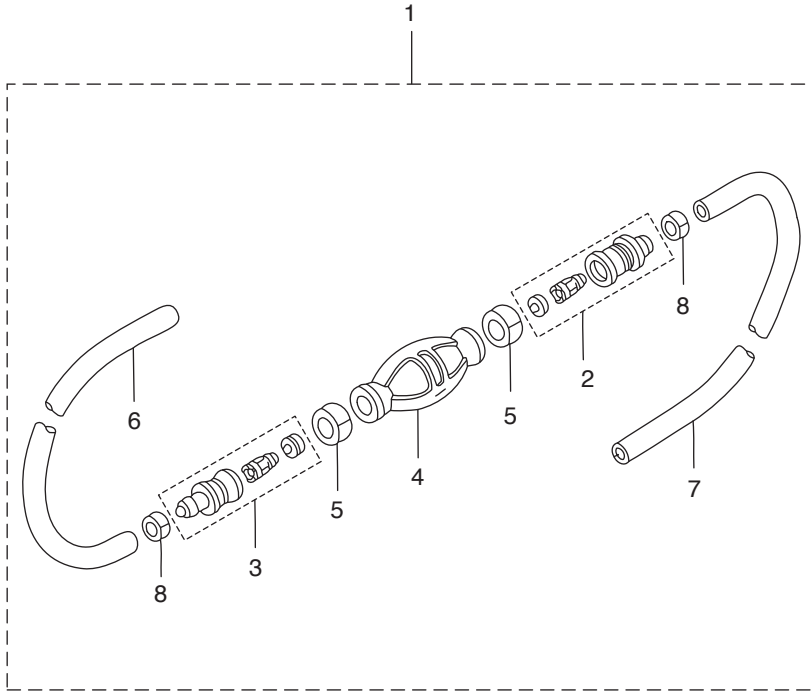
Ref.No.	Part No.	Description	Q' ty	Remarks	
			BFT250A		
F-5	19	HZY3-90552-000	SHIM E, THRUST(2.95)	1	LA,XA,XXA
F-5	19	HZY3-90553-000	SHIM F, THRUST(3.00)	1	LA,XA,XXA
F-5	19	HZY3-90554-000	SHIM G, THRUST(3.05)	1	LA,XA,XXA
F-5	19	HZY3-90555-000	SHIM H, THRUST(3.10)	1	LA,XA,XXA
F-5	19	HZY3-90556-000	SHIM I, THRUST(2.70)	1	LA,XA,XXA
F-5	19	HZY3-90557-000	SHIM J, THRUST(2.65)	1	LA,XA,XXA
F-5	19	HZY3-90558-000	SHIM K, THRUST(2.60)	1	LA,XA,XXA
F-5	19	HZY3-90559-000	SHIM L, THRUST(2.55)	1	LA,XA,XXA
F-5	19	HZY3-90560-000	SHIM M, THRUST(2.50)	1	LA,XA,XXA
F-5	20	HZV5-90559-000	WASHER, PLAIN, 12MM	2	LA,XA,XXA
F-5	21	HZX2-90651-C00	RING, SETTING(39)	1	LA,XA,XXA
F-5	22	HZW1-90758-B00	PIN, SPLIT, 4.0	1	LA,XA,XXA,XXCA
F-5	23	HPT2-91005-N01	BEARING, THRUST(F)	1	LA,XA,XXA
F-5	24	HZX2-91051-C01	BEARING, TAPER ROLLER,	1	60X100X30 LA,XA,XXA
F-5	25	HZX2-91055-C01	BEARING, RADIAL BALL,	1	55X100X21 LA,XA,XXA
F-5	26	HZY3-91056-711	BEARING, NEEDLE, 28X39X30	1	LA,XA,XXA
F-5	27	HZY3-91057-003	BEARING, NEEDLE, 32X42X30	1	LA,XA,XXA
F-5	28	HZY3-91151-000	ROLLER, 3X13.8	1	LA,XA,XXA
F-5	29	HZZ3-91252-003	SEAL, WATER, 30X45X7	2	LA,XA,XXA
F-5	30	HZX2-91351-C00	O-RING, 121X3.1	1	LA,XA,XXA
F-5	31	HCO-94510-15000	CIRCLIP, EXTERNAL, 15MM	1	LA,XA,XXA
F-5	32	HCO-96211-07000	BALL, STEEL, #7(7/32)	2	LA,XA,XXA
F-5	33	HCO-96211-12000	BALL, STEEL, #12(3/8)	2	LA,XA,XXA

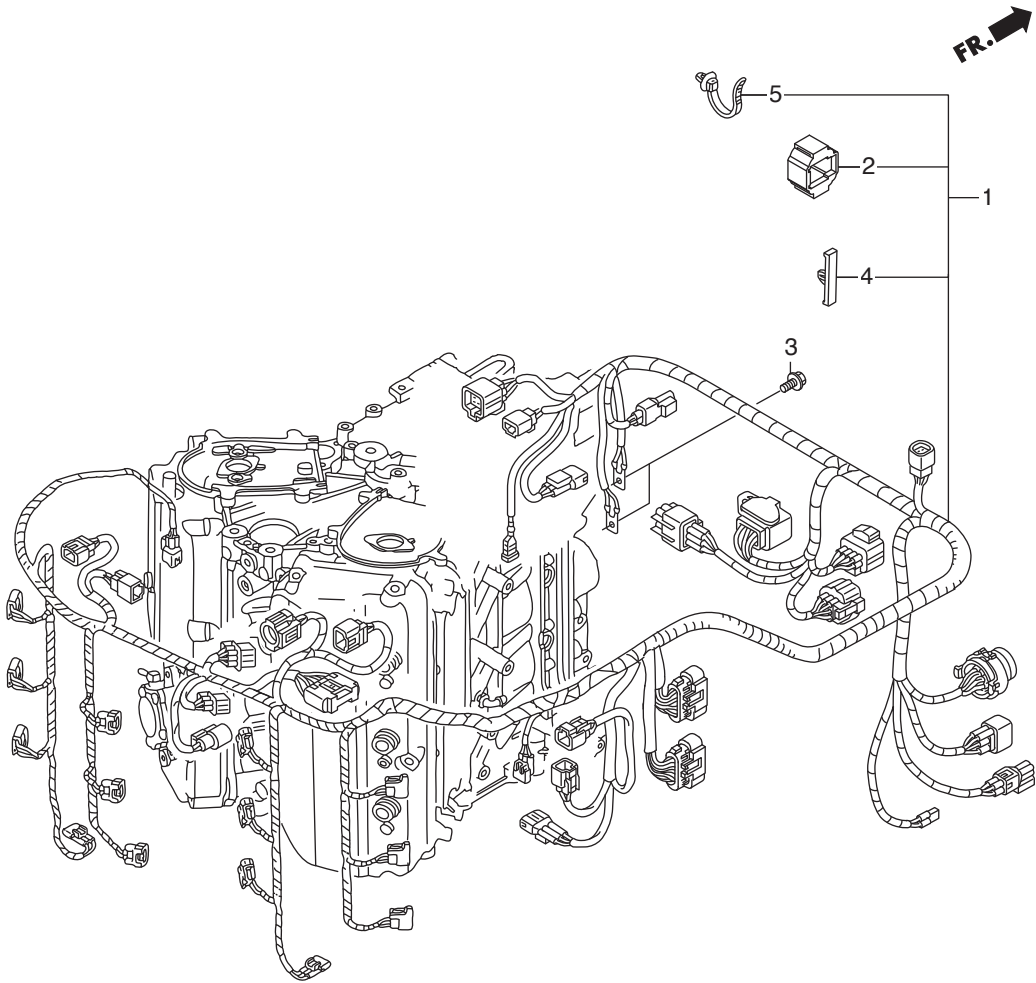


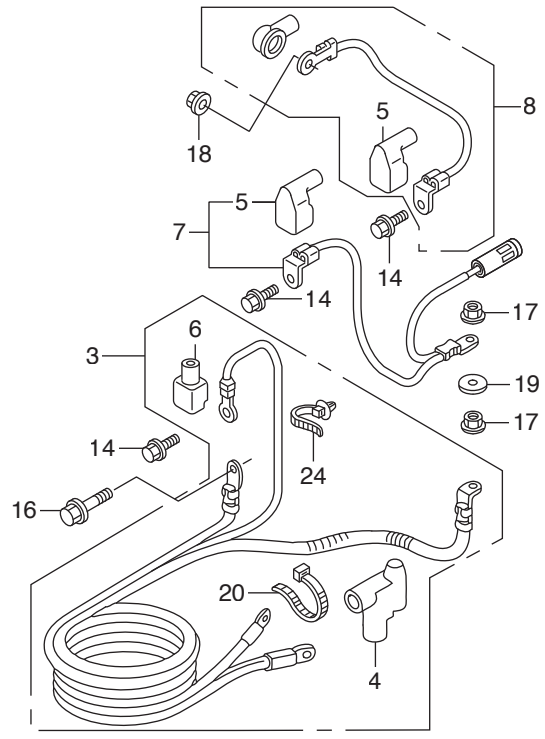
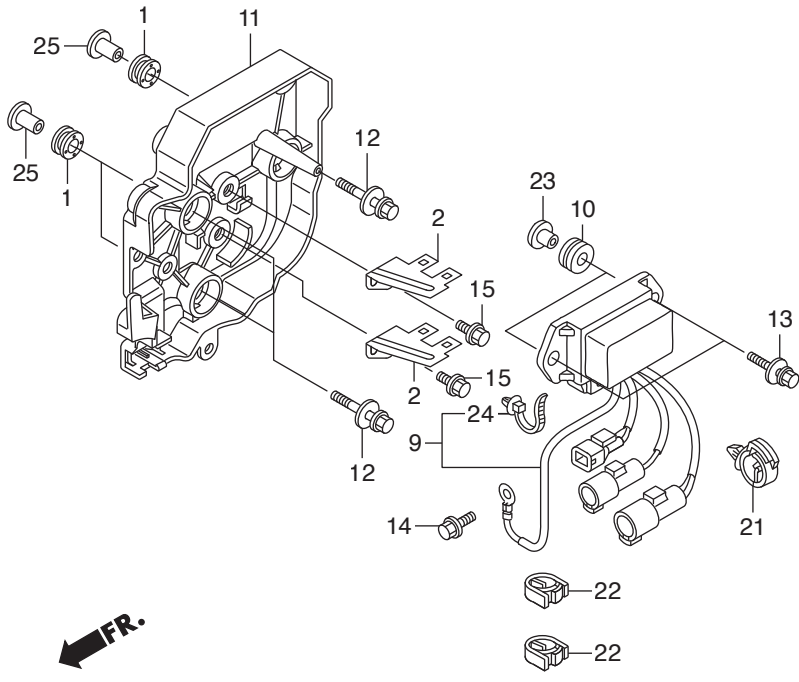
Ref.No.	Part No.	Description	Q' ty	Remarks	
			BFT250A		
F-5-1	1	HZX2-24101-C00	SHIFTER, CLUTCH	1	XCA,XXCA
F-5-1	2	HZY3-24102-000	PIN, SHIFTER, 8X50	1	XCA,XXCA
F-5-1	3	HZY3-24103-000	RING, CROSS PIN	1	XCA,XXCA
F-5-1	4	HZY3-24113-A01	SLIDER COMP., SHIFT	1	XCA,XXCA
F-5-1	5	HZY3-24122-A01	SLIDER, SHIFT	1	XCA,XXCA
F-5-1	6	HZY3-24123-000	SPRING, SHIFT	2	XCA,XXCA
F-5-1	7	HZY3-24124-310	PLATE, SHIFT	1	XCA,XXCA
F-5-1	8	HZX2-41141-E00	GEAR, BEVEL(FORWARD)(24T)	1	(COUNTER ROTATION) XCA,XXCA
F-5-1	9	HZX2-41150-E00	GEAR COMP., BEVEL(REVERSE)	1	(24T)(COUNTER ROTATION) XCA,XXCA
F-5-1	10	HZX2-41161-E00	SHAFT, PROPELLER	1	XCA,XXCA
F-5-1	11	HZX2-41201-C00ZC	HOLDER, PROPELLER SHAFT	1	*T107*BAY BLUE XCA,XXCA
F-5-1	13	HZY3-90123-000	BOLT, HEX., 12X45	2	XCA,XXCA
F-5-1	14	HZW1-90301-B00	NUT, CASTLE, 18MM	1	XCA
F-5-1	15	HZY3-90506-000	WASHER, PROPELLER THRUST	1	XCA
F-5-1	15	HZX2-90506-C00	WASHER, PROPELLER THRUST	1	XCA #7000011~
F-5-1	16	HZW5-90509-711	WASHER, THRUST BEARING	1	XCA,XXCA
F-5-1	17	HZY3-90512-000	WASHER, PROPELLER	1	XCA
F-5-1	17	HZX2-90512-C00	WASHER, PROPELLER	1	XCA #7000011~
F-5-1	18	HZX2-90528-C00	SHIM A, BEVEL(0.10)	1	XCA,XXCA
F-5-1	18	HZX2-90529-C00	SHIM B, BEVEL(0.15)	1	XCA,XXCA
F-5-1	18	HZX2-90530-C00	SHIM C, BEVEL(0.30)	1	XCA,XXCA
F-5-1	18	HZX2-90531-C00	SHIM D, BEVEL(0.50)	1	XCA,XXCA
F-5-1	19	HZX2-90528-E00	SHIM A, BEVEL(0.10)	1	(COUNTER ROTATION) XCA,XXCA
F-5-1	19	HZX2-90529-E00	SHIM B, BEVEL(0.15)	1	(COUNTER ROTATION) XCA,XXCA
F-5-1	19	HZX2-90530-E00	SHIM C, BEVEL(0.30)	1	(COUNTER ROTATION) XCA,XXCA
F-5-1	19	HZX2-90531-E00	SHIM D, BEVEL(0.50)	1	(COUNTER ROTATION) XCA,XXCA
F-5-1	20	HZX2-90541-E01	WASHER, THRUST, 85X110X2	1	XCA,XXCA
F-5-1	21	HZX2-90542-E01	WASHER, THRUST, 48X74X3	1	(COUNTER ROTATION) XCA,XXCA
F-5-1	22	HZV5-90559-000	WASHER, PLAIN, 12MM	2	XCA,XXCA



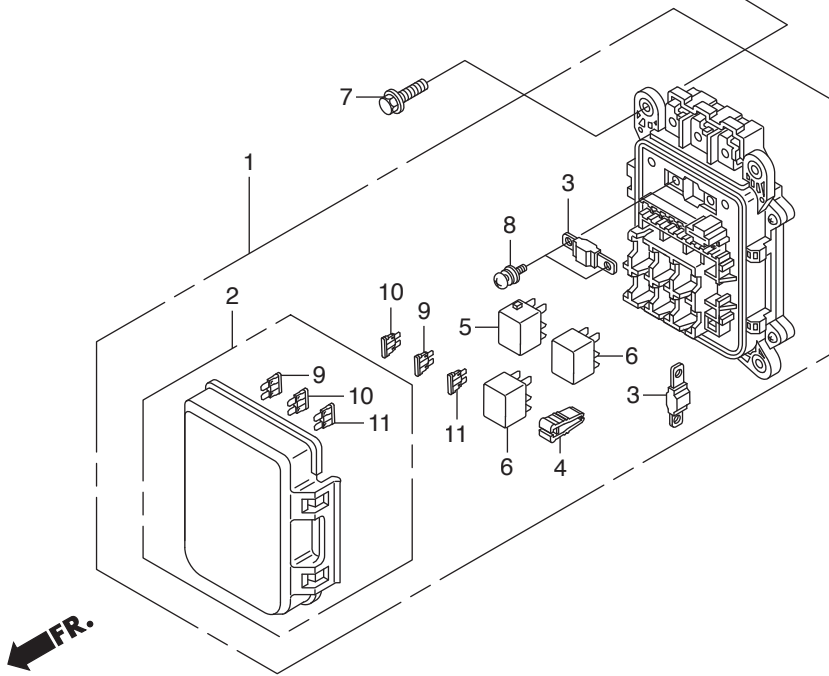
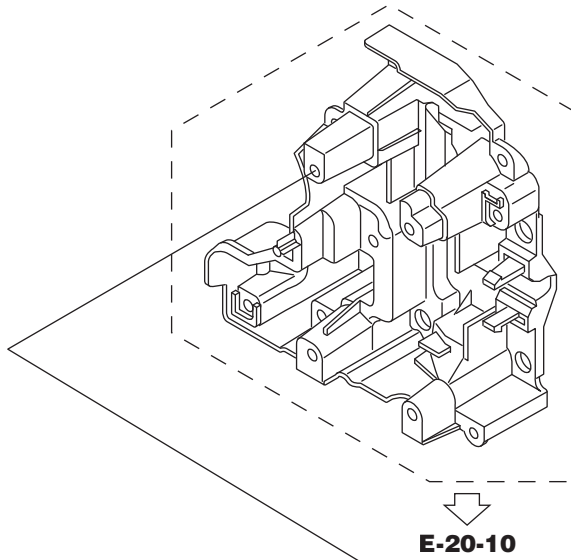
Ref.No.		Part No.	Description	Q' ty	Remarks
				BFT250A	
F-5-1	23	HZW1-90758-B00	PIN, SPLIT, 4.0	1	XCA
F-5-1	24	HPT2-91005-N01	BEARING, THRUST(F)	1	XCA,XXCA
F-5-1	25	HPG4-91033-013	BEARING, NEEDLE, 50X72X4.5	1	XCA,XXCA
F-5-1	27	HZX2-91054-E01	BEARING, THRUST NEEDLE,	1	85X110X4 XCA,XXCA
F-5-1	28	HZX2-91055-C01	BEARING, RADIAL BALL,	1	55X100X21 XCA,XXCA
F-5-1	29	HZY3-91056-711	BEARING, NEEDLE, 28X39X30	1	XCA,XXCA
F-5-1	30	HZY3-91057-003	BEARING, NEEDLE, 32X42X30	1	XCA,XXCA
F-5-1	31	HZY3-91151-000	ROLLER, 3X13.8	1	XCA,XXCA
F-5-1	32	HZZ3-91252-003	SEAL, WATER, 30X45X7	2	XCA,XXCA
F-5-1	33	HZX2-91351-C00	O-RING, 121X3.1	1	XCA,XXCA
F-5-1	34	HCO-94510-15000	CIRCLIP, EXTERNAL, 15MM	1	XCA,XXCA
F-5-1	35	HCO-96211-07000	BALL, STEEL, #7(7/32)	2	XCA,XXCA
F-5-1	36	HCO-96211-12000	BALL, STEEL, #12(3/8)	2	XCA,XXCA
F-5-1	37	HZX2-41200-E00	HOLDER ASSY., BEARING	1	(COUNTER ROTATION) XCA,XXCA

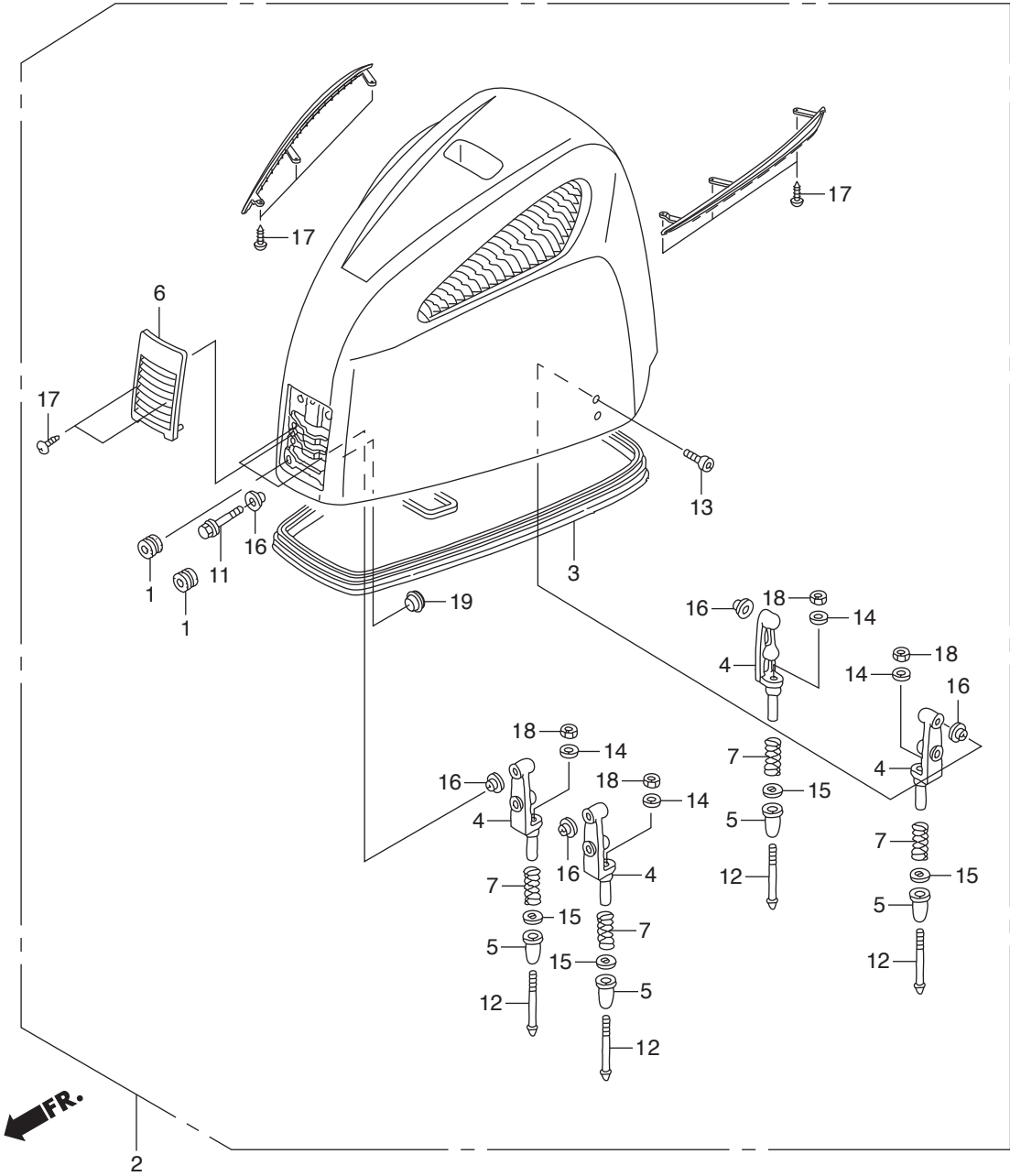


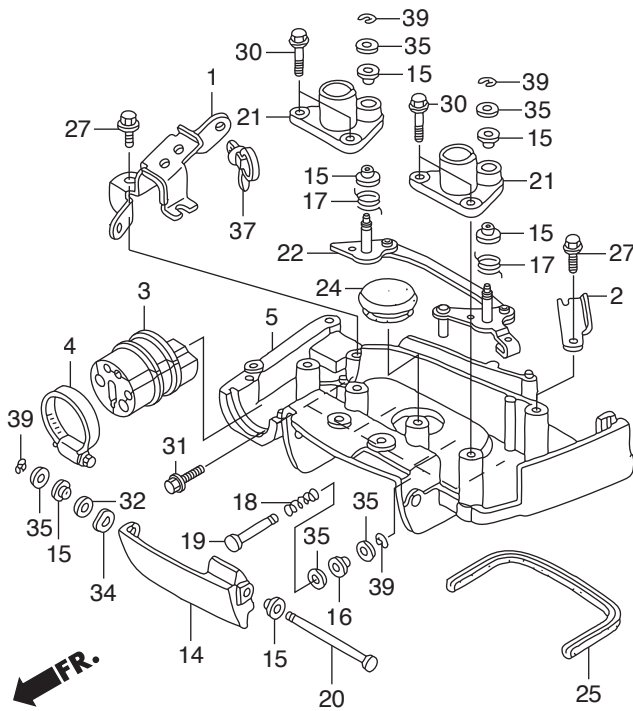
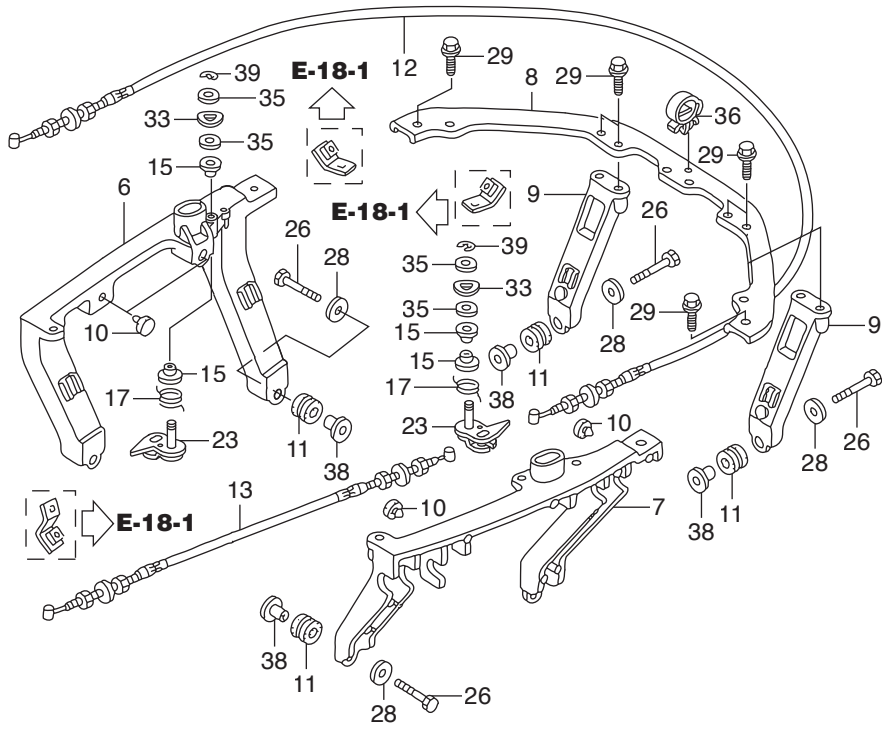




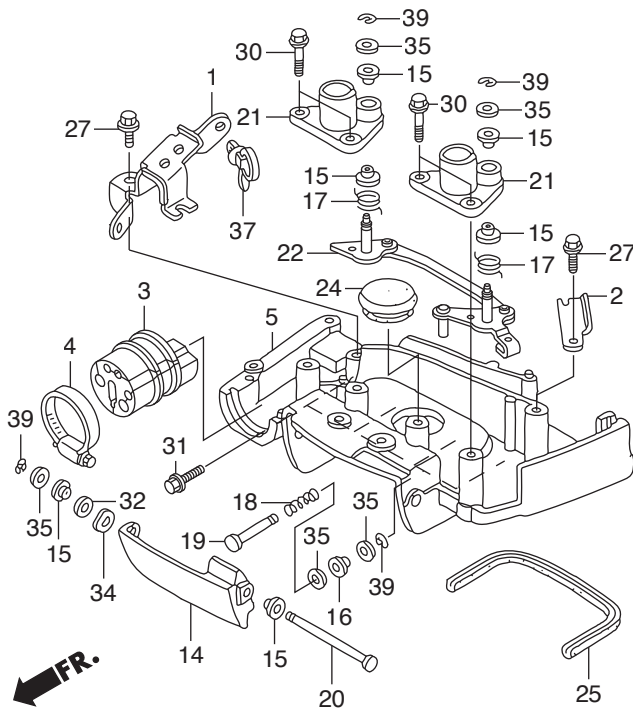
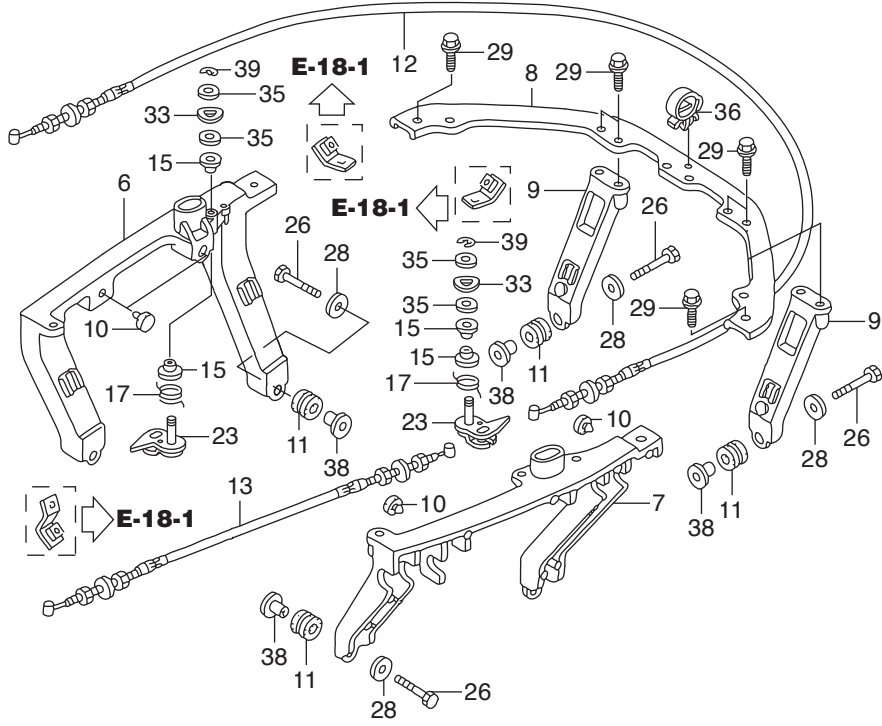
Ref.No.	Part No.	Description	Q' ty	Remarks	
			BFT250A		
F-7-10	1	HZY9-30419-003	GROMMET, ELECTRONIC PARTS CASE	3	
F-7-10	2	HZY9-32103-000	BRACKET C, COUPLER	2	
F-7-10	3	HZX2-32410-000	CABLE ASSY., STARTER	1	
F-7-10	4	HZY3-32411-003	COVER, STARTER TERMINAL	1	
F-7-10	5	HZX2-32414-300	COVER B, TERMINAL(L)	2	
F-7-10	6	HZY6-32414-640	COVER B, TERMINAL	1	
F-7-10	7	HZX2-32415-000	CABLE ASSY., POWER TILT RELAY	1	
F-7-10	8	HZX2-32435-000	CORD, A.C. GENERATOR	1	
F-7-10	9	HZX2-38550-003	RELAY ASSY., POWER TILT	1	
F-7-10	10	HZW1-38551-000	GROMMET, RELAY	2	
F-7-10	11	HZX2-38552-000	CASE, POWER TILT RELAY	1	
F-7-10	12	HZW2-90003-000	BOLT-WASHER, 6X27(CT200)	3	
F-7-10	13	HZW1-90013-000	BOLT-WASHER, 6X25	2	
F-7-10	14	HZW9-90013-000	BOLT, FLANGE, 6X12	4	
F-7-10	15	HZW9-90014-000	BOLT, FLANGE, 6X10	2	
F-7-10	16	HZY3-90107-000	BOLT, FLANGE, 8X18	1	
F-7-10	17	HZW1-90203-000	NUT-WASHER, 8MM	2	
F-7-10	18	HZY3-90304-000	NUT-WASHER, 6MM	1	
F-7-10	19	HZY3-90405-000	WASHER, PLAIN, 8MM	1	
F-7-10	20	HSB2-90620-003	BAND, WIRE HARNESS	1	LA,XA #~6000051
F-7-10	20	HSB2-90620-003	BAND, WIRE HARNESS	1	XCA #~7000006
F-7-10	20	HKV6-90651-003	BAND, WIRE, 165MM(BLACK)	1	LA,XA #6000052~ XCA #7000007~ XXA,XXCA
F-7-10	21	H763-90681-A01	CLIP, WIRE HARNESS	1	
F-7-10	22	HZX2-90683-003	CLIP, WIRE HARNESS	2	
F-7-10	23	HZZ5-91501-000	COLLAR, MOUNTING(6MM)	2	
F-7-10	24	HS0A-91541-003	CLIP, HARNESS BAND(BLACK)	4	(145MM)
F-7-10	25	HZV5-91553-010	COLLAR, C.D.I. UNIT CASE	3	

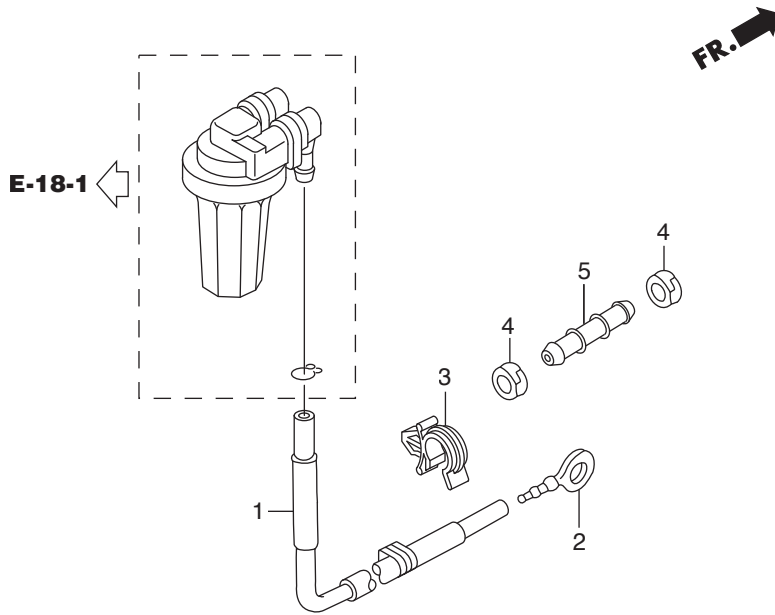


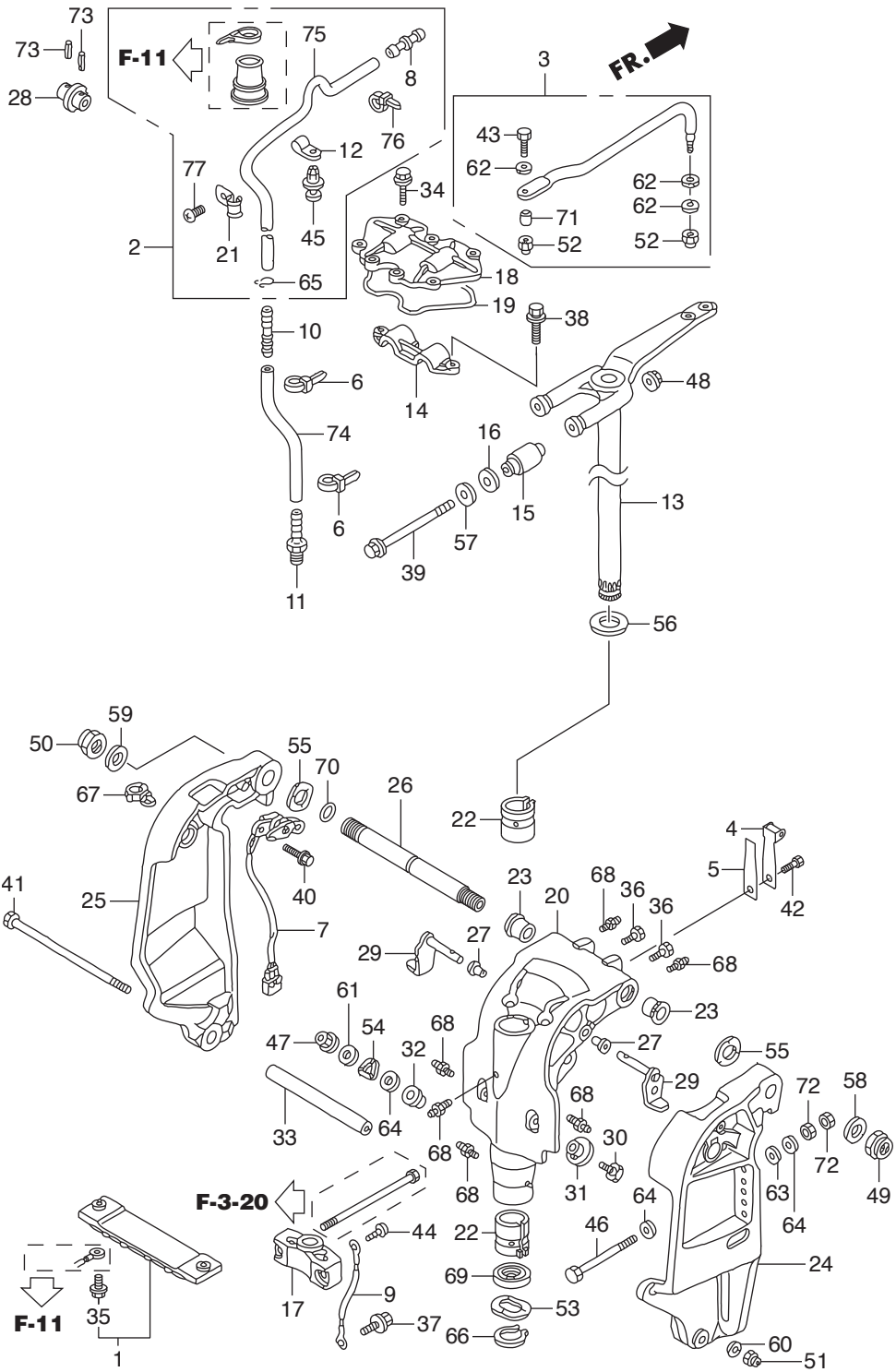




Ref.No.	Part No.	Description	Q' ty	Remarks	
			BFT250A		
F-8-10	1	HZY3-32419-A00	BRACKET, CABLE	1	
F-8-10	2	HZY3-32421-000	PLATE, STARTER CABLE	1	
F-8-10	3	HZY3-40105-C01	GROMMET A, UNDER CASE	1	
F-8-10	4	HZY3-40119-003	BAND, UNDER CASE GROMMET	1	
F-8-10	5	HZY3-40154-000ZA	BRACKET, FR. COVER	1	*NH8* DARK GRAY
F-8-10	6	HZY3-40155-000	BRACKET, R. SIDE COVER	1	
F-8-10	7	HZY3-40157-000	BRACKET, L. SIDE COVER	1	
F-8-10	8	HZY3-40158-000	BRACKET A, RR. COVER	1	
F-8-10	9	HZY3-40159-000	BRACKET B, RR. COVER	2	
F-8-10	10	H196-47117-000	RUBBER, STOPPER	4	
F-8-10	11	H121-51640-730	RUBBER, FR. CARRIER CUSHION	6	
F-8-10	12	HZY3-60180-C01	CABLE COMP. A, COVER LOCK	1	
F-8-10	13	HZY3-60185-C01	CABLE COMP. B, COVER LOCK	1	
F-8-10	14	HZY3-63201-000ZC	LEVER, COVER LOCK	1	*T107*BAY BLUE
F-8-10	15	HZY3-63205-000	BUSH A, COVER LOCK	10	
F-8-10	16	HZY3-63208-000	BUSH B, COVER LOCK	1	
F-8-10	17	HZY3-63212-000	SPRING, COVER LOCK HOOK	4	
F-8-10	18	HZY3-63223-000	SPRING, LOCK LEVER RETURN	1	
F-8-10	19	HZY3-63224-000	SHAFT, COVER OPEN	1	
F-8-10	20	HZY3-63225-000	SHAFT, FR. LOCK	1	
F-8-10	21	HZY3-63226-000	HOLDER, STRIKER	2	
F-8-10	22	HZY3-63230-C00	LOCK ASSY., FR.	1	
F-8-10	23	HZX2-63260-C00	LOCK COMP., SIDE	2	
F-8-10	24	HZC0-63515-700	CAP, L. SIDE COVER	1	
F-8-10	25	HZY3-63729-003	SEAL D, UNDER COVER	1	
F-8-10	26	HZV5-90009-000	BOLT, HEX., 8X35	6	
F-8-10	27	HZY3-90021-000	BOLT, FLANGE, 6X14	2	
F-8-10	28	HML0-90101-720	WASHER, PLAIN, 8MM	6	
F-8-10	29	HZW9-90102-000	BOLT, FLANGE, 6X12	6	

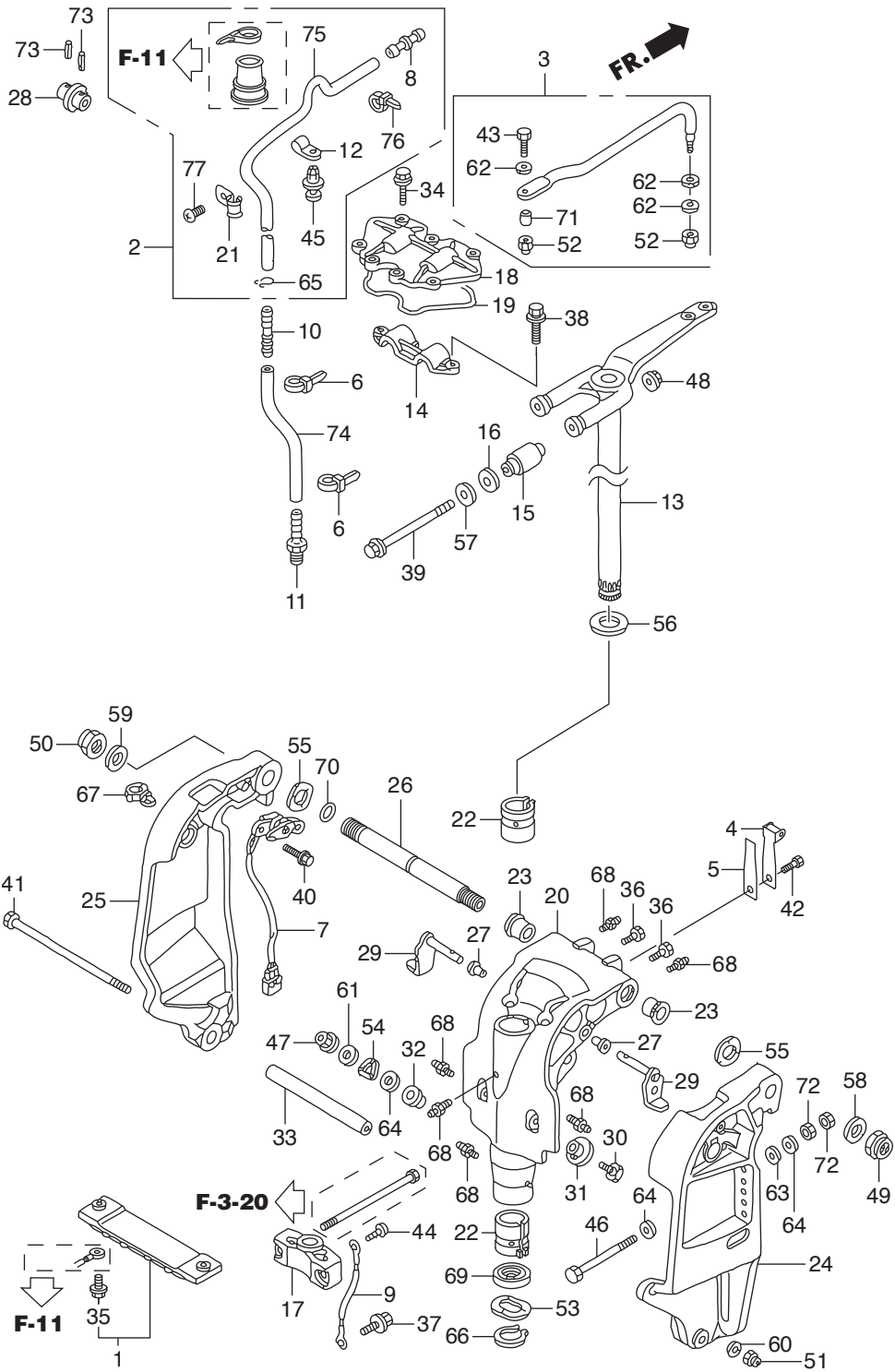






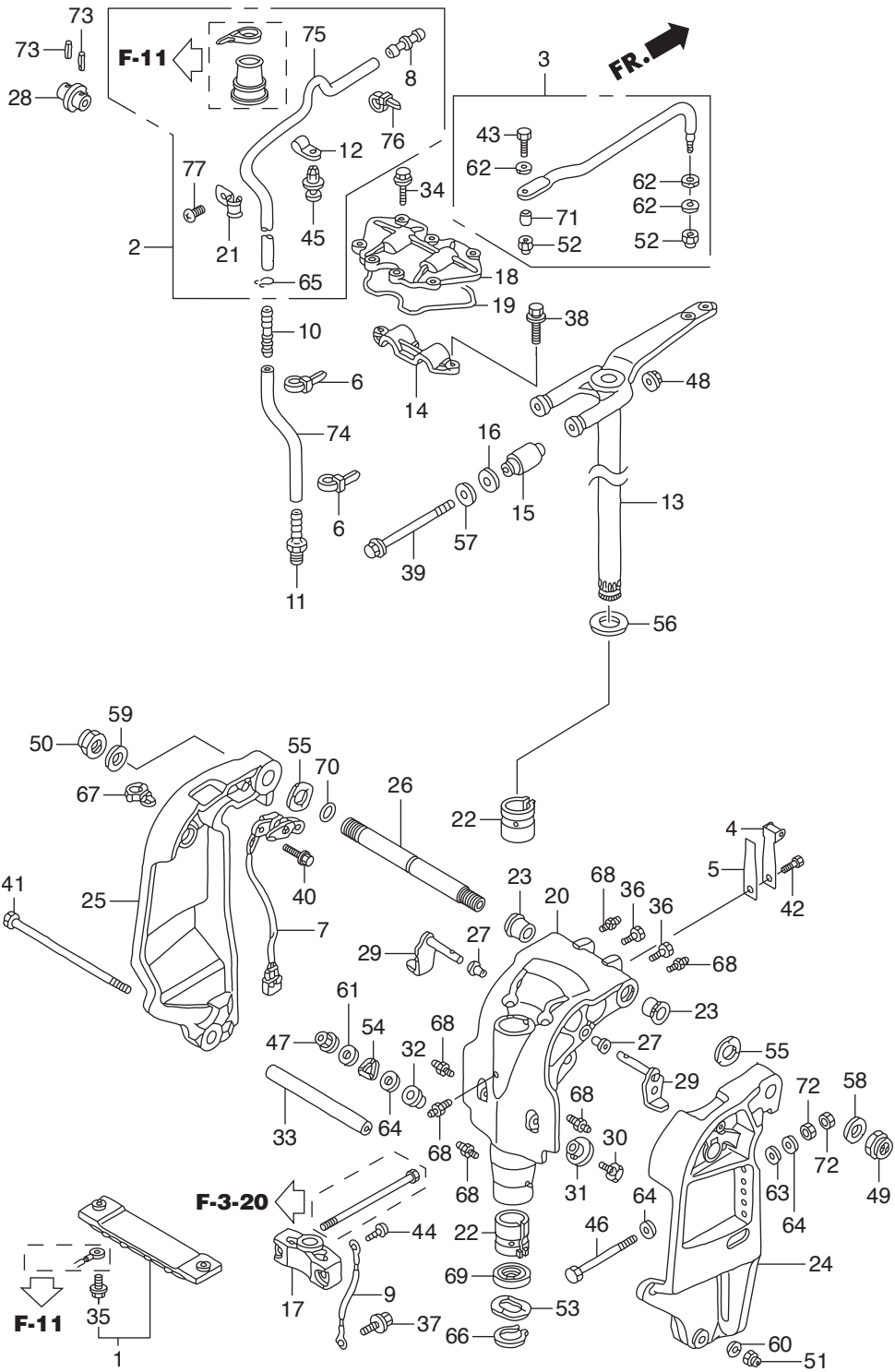
Ref.No.	Part No.	Description	Q' ty	Remarks	
			BFT250A		
F-10	1	HZW1-06411-020	METAL KIT, ANODE	1	
F-10	2	HZY3-06412-000	TUBE KIT, SPEED SENSOR	1	
F-10	3	HZY3-06532-U00	ROD KIT, STEERING	1	
F-10	4	HZV1-24210-010	SPRING COMP., CLICK	1	
F-10	5	HZV4-24221-010	SPRING, CLICK ASSIST	1	
F-10	6	HKM3-32161-003	BAND, WIRE	2	
F-10	7	HZY3-35660-003	SENSOR ASSY., TRIM ANGLE	1	
F-10	8	H663-38562-920	JOINT B, WASHER TUBE(MITSUBA)	1	
F-10	9	HZY3-40219-013	WIRE, LEAD(1.5X116MM)	1	
F-10	10	HZV5-41171-000	END, NIPPLE	1	
F-10	11	HZV5-41172-000	NIPPLE, SENSOR	1	
F-10	12	HZY3-41179-A00	CLAMPER, SENSOR TUBE	2	
F-10	13	HZY3-50100-A01	FRAME COMP., MOUNTING(L)	1	LA
F-10	13	HZY3-50100-A11	FRAME COMP., MOUNTING(XL)	1	XA,XCA,XXA,XXCA
F-10	14	HZY3-50109-000	HOUSING, UPPER MOUNTING	1	
F-10	15	HZY3-50151-000	MOUNT COMP., UPPER RUBBER	2	
F-10	16	HZY3-50153-000	RUBBER, UPPER MOUNT STOPPER	2	
F-10	17	HZY3-50161-000ZD	HOUSING, LOWER CENTER MOUNTING	1	*T107*BAY BLUE LA
F-10	17	HZY3-50161-610	HOUSING, LOWER CENTER MOUNTING	1	(XL) XA,XCA,XXA,XXCA
F-10	18	HZY3-50166-000	COVER, UPPER MOUNT	1	
F-10	19	HZY3-50168-000	SEAL, UPPER MOUNT COVER	1	
F-10	20	HZY3-50201-C01ZD	CASE, SWIVEL	1	*T107*BAY BLUE LA
F-10	20	HZY3-50201-C11ZC	CASE, SWIVEL	1	*T107*BAY BLUE XA,XCA,XXA,XXCA
F-10	21	HZY3-50209-A00	CLAMP, TUBE	2	
F-10	22	HZY3-50211-000	LINER, SWIVEL CASE	2	
F-10	23	HZY3-50214-000	BUSH, SWIVEL CASE	2	
F-10	24	HZY3-50301-030ZC	BRACKET, R. STERN	1	*T107*BAY BLUE
F-10	25	HZY3-50311-020ZC	BRACKET, L. STERN	1	*T107*BAY BLUE
F-10	26	HZY3-50381-000	SHAFT, TILTING	1	

F-10 STERN BRACKET/SWIVEL CASE

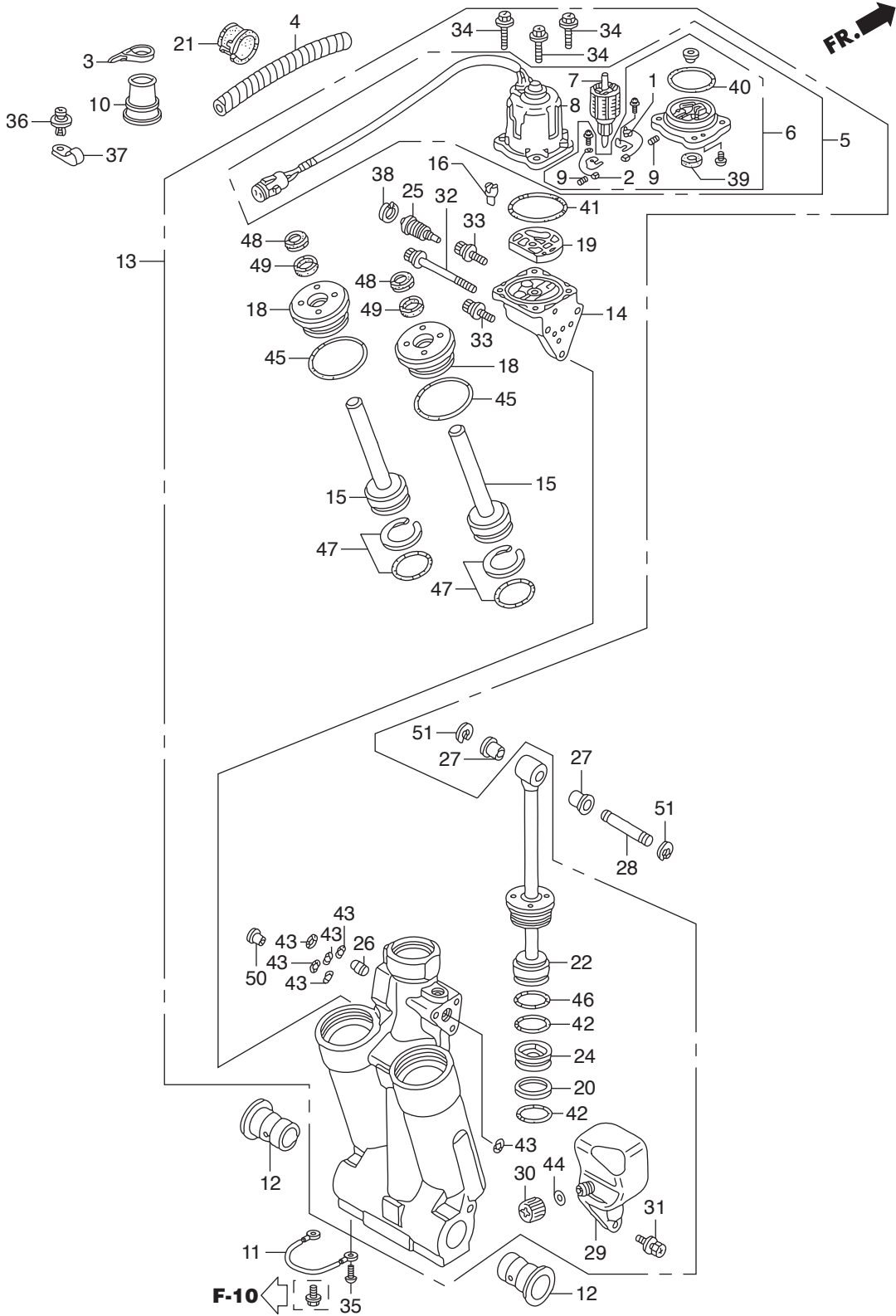


Ref.No.	Part No.	Description	Q' ty	Remarks	
			BFT250A		
F-10	27	HZY3-50522-000	BUSH, TILT ARM	2	
F-10	28	HZY3-50527-000	BRACKET, TILTING	1	
F-10	29	HZY3-50529-000	STOPPER, TILT	2	
F-10	30	HZY3-56516-A00	RECEIVER, THRUST	2	
F-10	31	HZY3-56518-A00	BUSH A, THRUST RECEIVE	2	
F-10	32	HZY3-56519-A00	BUSH B, THRUST RECEIVE	2	
F-10	33	HZW1-56539-000	COLLAR, LOWER CYLINDER	1	LA,XA #~6000063
F-10	33	HZW1-56539-000	COLLAR, LOWER CYLINDER	1	XCA #~7000008
F-10	33	HZZ0-56539-C00	COLLAR, LOWER CYLINDER	1	LA,XA #6000064~ XCA #7000009~ XXA,XXCA
F-10	34	HZW9-90005-000	BOLT, FLANGE, 6X20	7	
F-10	35	HZW9-90009-000	BOLT, FLANGE, 6X23	2	
F-10	36	HZW1-90102-000	BOLT, 1/4-28UNF	2	
F-10	37	HZW9-90103-010	BOLT, FLANGE, 6X12	1	
F-10	38	HZY6-90103-000	BOLT-WASHER, 10X32	3	
F-10	39	HZY3-90104-010	BOLT, HEX., 12X200	2	
F-10	40	HZW9-90105-000	BOLT, FLANGE, 6X20	2	
F-10	41	HZW1-90108-000	BOLT, HEX., 10X235	1	
F-10	42	H881-90110-000	BOLT, HEX., 6X14	1	
F-10	43	HZY3-90117-000	BOLT, 3/8-24UNF	1	
F-10	44	HZV5-90119-000	SCREW, PAN, 6X8	1	
F-10	45	HZV5-90127-003	SCREW, RIVET, 5X10	2	
F-10	46	HZX2-90129-000	BOLT, HEX., 12X130	6	
F-10	47	HZY1-90205-000	NUT, SELF-LOCK, 6MM	2	
F-10	48	HZW5-90302-003	NUT, FLANGE, 12MM	2	
F-10	49	HZV5-90304-013	NUT, SELF-LOCK(7/8-14UNF)	1	
F-10	50	HZW1-90304-013	NUT, SELF-LOCK(25X2.0)	1	
F-10	51	HZW4-90306-003	NUT, FLANGE, 10MM	1	

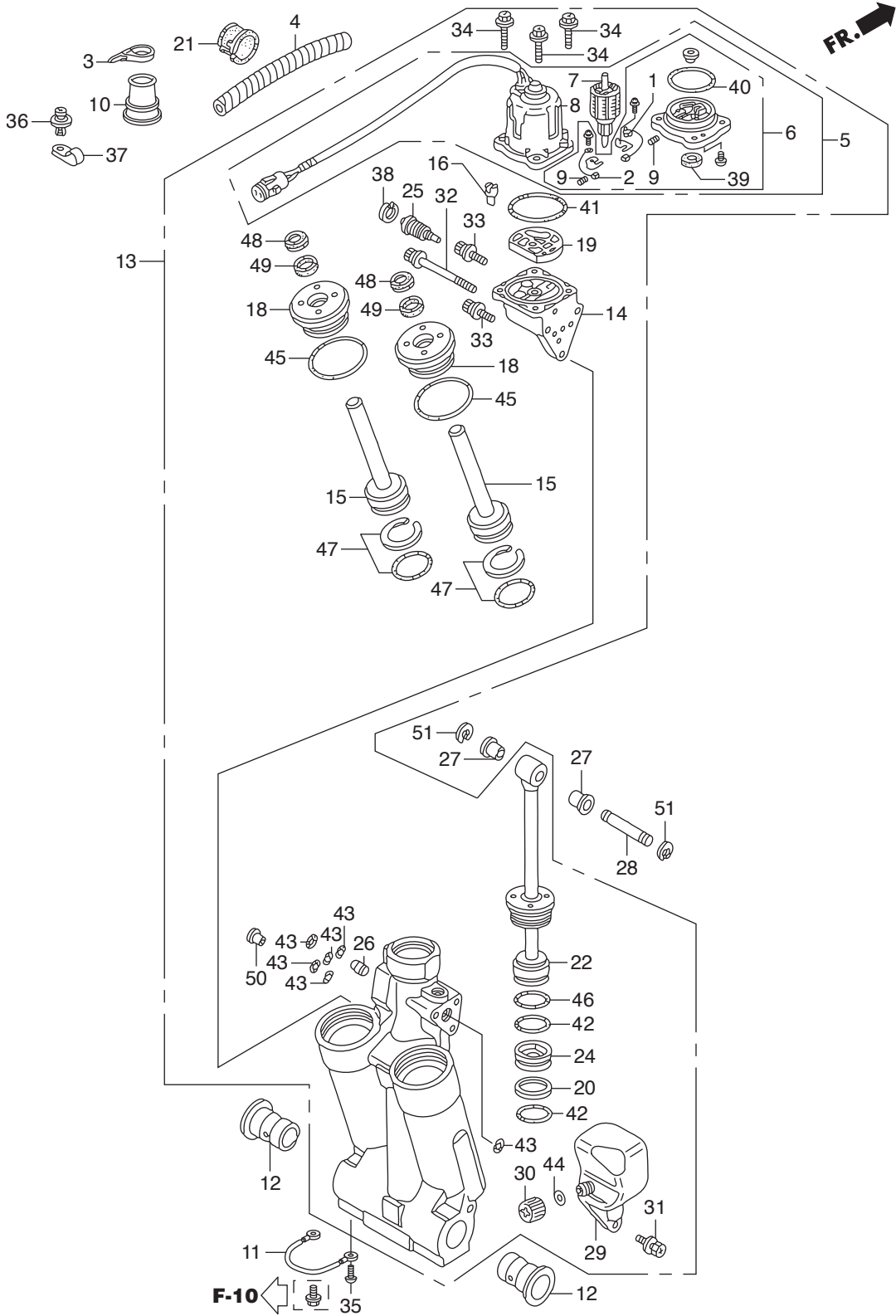
F-10 STERN BRACKET/SWIVEL CASE



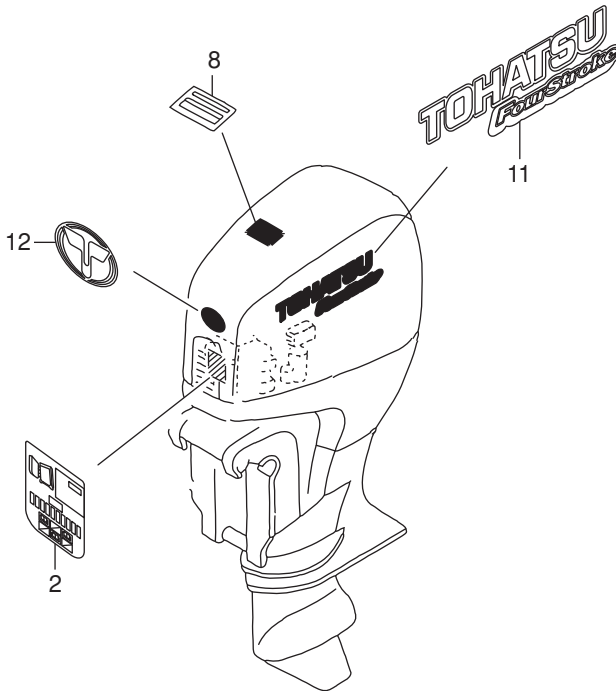
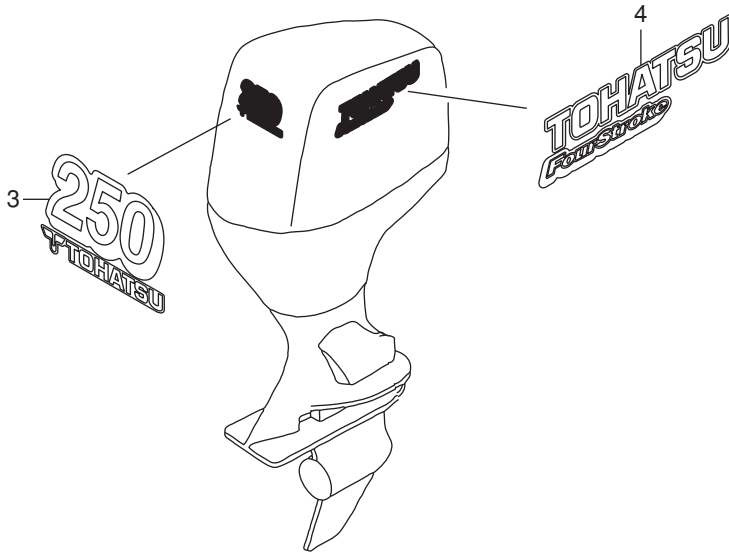
Ref.No.	Part No.	Description	Q' ty	Remarks	
			BFT250A		
F-10	52	HZV5-90307-003	NUT, SELF-LOCK(3/8-24UNF)	2	
F-10	53	HZV5-90501-000	WASHER, WAVE, 40MM	1	
F-10	54	HZY3-90501-A00	WASHER, WAVE, 12MM	2	
F-10	55	HZV5-90502-000	WASHER, WAVE, 26MM	2	
F-10	56	HZV5-90504-000	WASHER, THRUST, 34MM	1	
F-10	57	HZY3-90504-A00	WASHER, UPPER MOUNTING STOPPER	2	LA,XA,XCA
F-10	57	HZY3-90504-A00	WASHER, UPPER MOUNTING STOPPER	2	LA,XA #6000072~
F-10	57	HZX2-90504-C00	WASHER, UPPER MOUNTING STOPPER	2	XCA #7000011~ XXA,XXCA
F-10	58	HZY3-90509-000	WASHER, 7/8INCH	1	
F-10	59	HZY3-90510-000	WASHER, 25MM	1	
F-10	60	H921-90511-000	WASHER, PLAIN, 10MM	1	
F-10	61	HZV4-90512-000	WASHER, PLAIN, 6MM	2	
F-10	62	HZV4-90514-000	WASHER, 10MM	3	
F-10	63	HZV5-90552-000	WASHER, PLAIN, 12MM	6	
F-10	64	HZV5-90559-000	WASHER, PLAIN, 12MM	14	
F-10	65	H921-90602-000	CLIP, TUBE(B8)	1	
F-10	66	HZV5-90651-000	CIRCLIP, EXTERNAL, 39MM	1	
F-10	67	H763-90681-A01	CLIP, WIRE HARNESS	1	
F-10	68	HZV7-90951-010	NIPPLE, GREASE	6	
F-10	69	HZV5-91256-003	OIL SEAL, 39.5X52X6(ARAI)	1	
F-10	70	HZV5-91352-000	O-RING, 15.54X2.26	1	
F-10	71	HZY3-91560-000	COLLAR, STEERING ROD	1	
F-10	72	HCO-94001-12490-0S	NUT, HEX., 12MM	12	
F-10	73	HCO-94305-30203	PIN, SPRING, 3X20	2	
F-10	74	HCO-95005-50200-30	TUBE, 5X200	1	(HCO-95005-50001-30M)
F-10	75	HCO-95005-50950-30	TUBE, 5X950	1	(HCO-95005-50001-30M)
F-10	76	HKM3-32161-003	BAND, WIRE	1	
F-10	77	HZV5-90119-000	SCREW, PAN, 6X8	2	

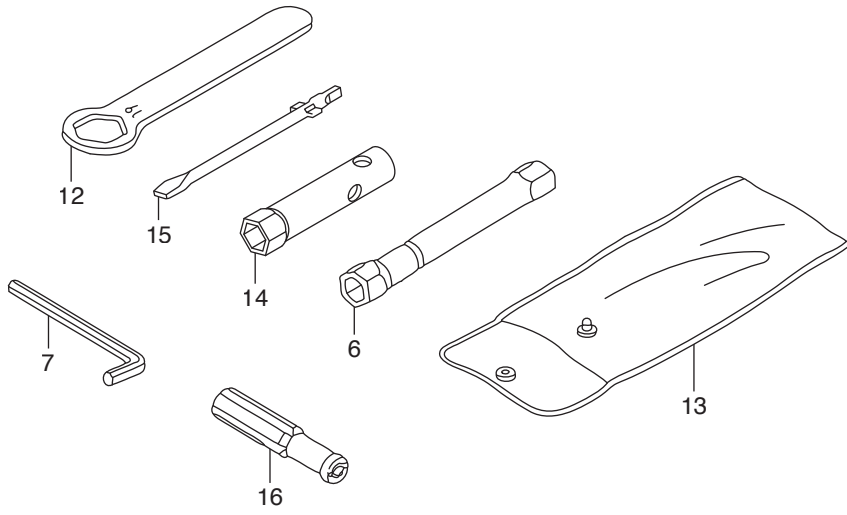


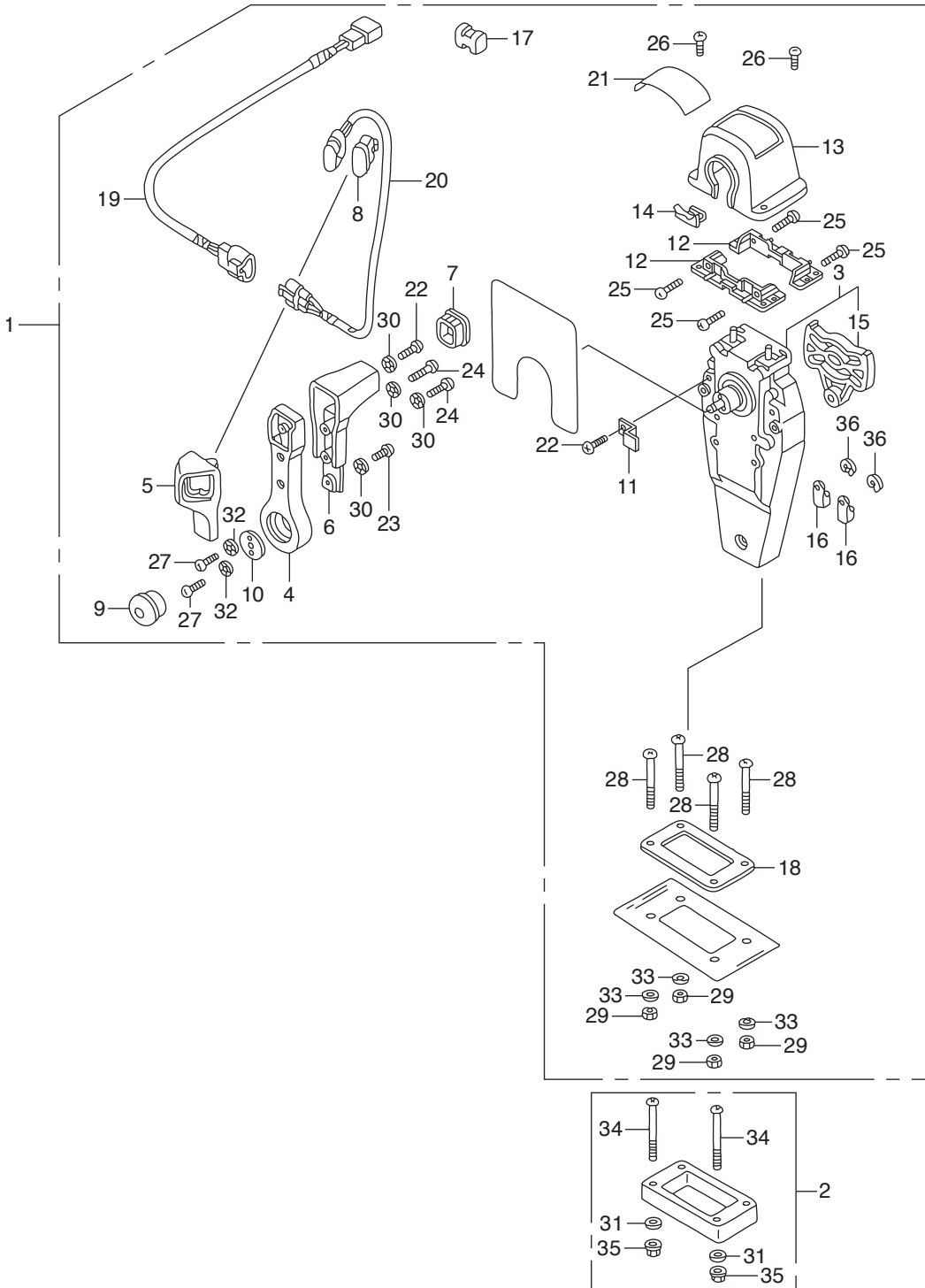
Ref.No.	Part No.	Description	Q' ty	Remarks	
			BFT250A		
F-11	1	HZY3-30280-003	BREAKER ASSY.	1	
F-11	2	HZY3-31106-003	BRUSH ASSY.	1	
F-11	3	HMG9-35701-950	BAND(BLACK 3.5X140)	1	
F-11	4	HZW1-36104-003	TUBE, SPIRAL(12X14.6)	1	
F-11	5	HZX2-36120-003	MOTOR ASSY., POWER TILT	1	
F-11	6	HZY3-36122-013	BRACKET ASSY.	1	
F-11	7	HZY3-36123-013	ARMATURE COMP.	1	
F-11	8	HZX2-36129-003	YOKE ASSY.	1	
F-11	9	HZV5-36136-821	SPRING, MOTOR	2	
F-11	10	HZW1-40107-700	GROMMET, UNDER CASE(C)	2	
F-11	11	HZY3-40219-013	WIRE, LEAD(1.5X116MM)	1	
F-11	12	HZV5-50214-003	BUSH, SWIVEL CASE	2	
F-11	13	HZX2-56000-013	TRIM-TILT ASSY., POWER	1	
F-11	14	HZY3-56100-013	PUMP ASSY.	1	
F-11	15	HZW1-56110-701	ROD COMP., PISTON(B)	2	
F-11	16	HZW1-56113-701	JOINT, DRIVE	1	
F-11	18	HZY9-56115-003	GUIDE COMP., ROD	2	
F-11	19	HZW1-56116-701	FILTER B	1	
F-11	20	HZV5-56117-821	RING, BACK UP	1	
F-11	21	HZV5-56118-820	BUSH, MOTOR CODE	1	
F-11	22	HZY3-56120-013	ROD COMP., PISTON	1	
F-11	24	HZW1-56130-702	PISTON COMP., FREE	1	
F-11	25	HZY3-56170-013	VALVE COMP., MANUAL	1	
F-11	26	HZW1-56180-701	VALVE COMP., RESERVOIR	1	
F-11	27	HZV5-56513-000	BUSH, LOWER CYLINDER	2	
F-11	28	HZY3-56532-000	PIN, UPPER CYLINDER	1	LA,XA,XCA
F-11	28	HZY3-56532-000	PIN, UPPER CYLINDER	1	LA,XA #6000072~
F-11	28	HZX2-56532-C00	PIN, UPPER CYLINDER	1	XCA #7000011~ XXA,XXCA



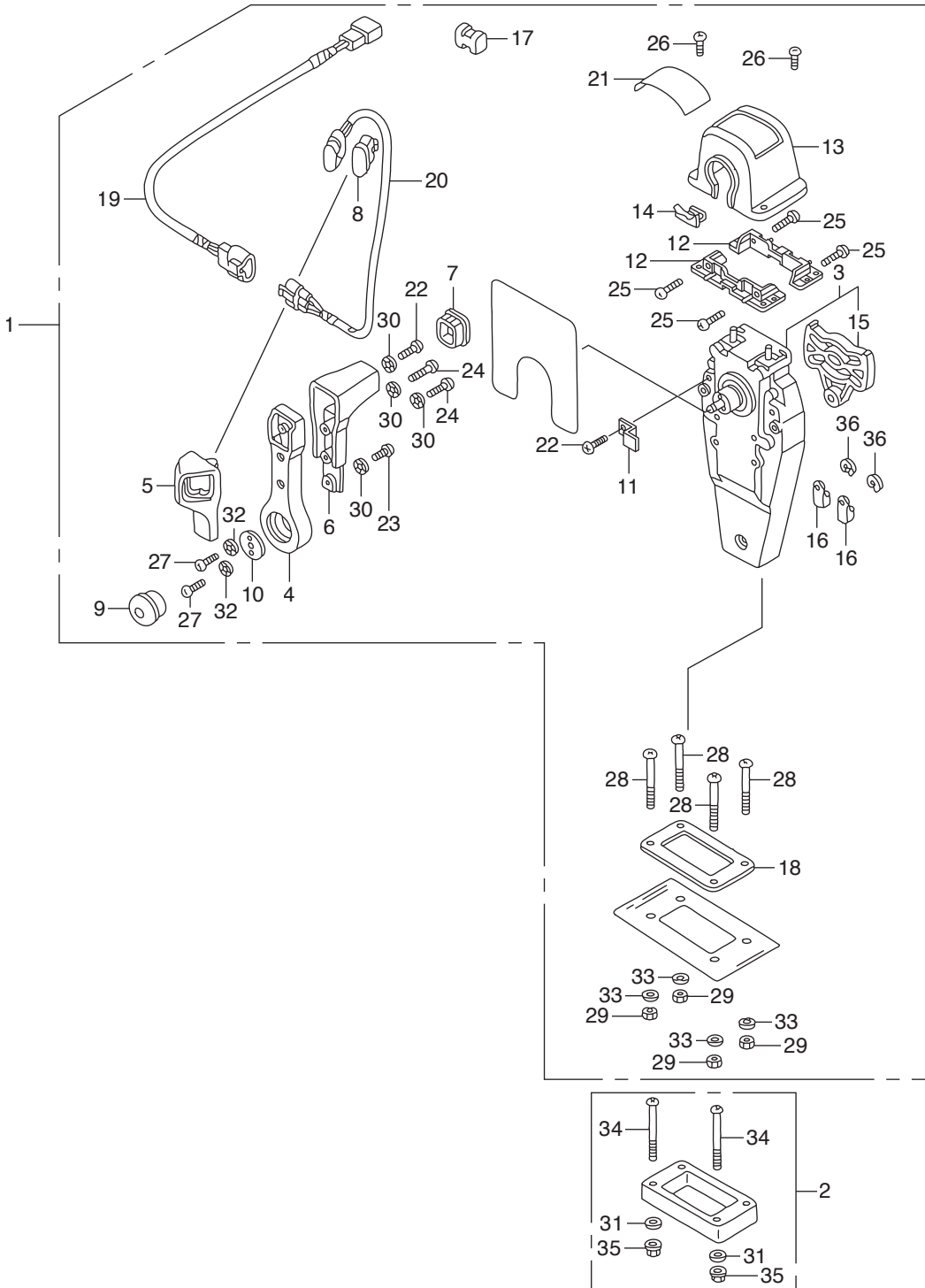
Ref.No.	Part No.	Description	Q' ty	Remarks	
			BFT250A		
F-11	29	HZW1-56851-703	TANK, OIL	1	
F-11	30	HZW1-56860-701	CAP COMP., OIL TANK	1	
F-11	31	HZW1-90113-702	BOLT, RECESSED	3	
F-11	32	HZW1-90114-702	BOLT, SOCKET(A)	1	
F-11	33	HZW1-90115-702	BOLT, SOCKET(B)	2	
F-11	34	HZW1-90116-702	BOLT, HEX.	4	
F-11	35	HZV5-90119-000	SCREW, PAN, 6X8	1	
F-11	36	HZV5-90127-003	SCREW, RIVET, 5X10	1	
F-11	37	HSB0-90602-003	CLIP, 10.7MM	1	
F-11	38	HZW1-90652-702	CIRCLIP, INTERNAL	1	
F-11	39	HZV5-91203-821	OIL SEAL	1	
F-11	40	HZW1-91207-013	O-RING, 2.0X70.5	1	
F-11	41	HZV5-91302-821	O-RING, 1.8X69.6	1	
F-11	42	HZV5-91316-821	O-RING, 3.5X38.7	2	
F-11	43	HZW1-91352-702	O-RING, 1.8X7.7	6	
F-11	44	HZW1-91353-703	O-RING, 1.9X11	1	
F-11	45	HZW1-91354-701	O-RING, 3.5X35.7	2	
F-11	46	HZW1-91355-701	O-RING, 3.5X41.7	1	
F-11	47	HZW1-91357-701	O-RING SET, 3.5X31.7	2	
F-11	48	HZW1-91358-701	SEAL, WATER	2	
F-11	49	HZW1-91361-701	PACKING	2	
F-11	50	HZW1-91557-701	COLLAR, ORIFICE	1	
F-11	51	HCO-94540-15029	E-RING, 15MM	2	

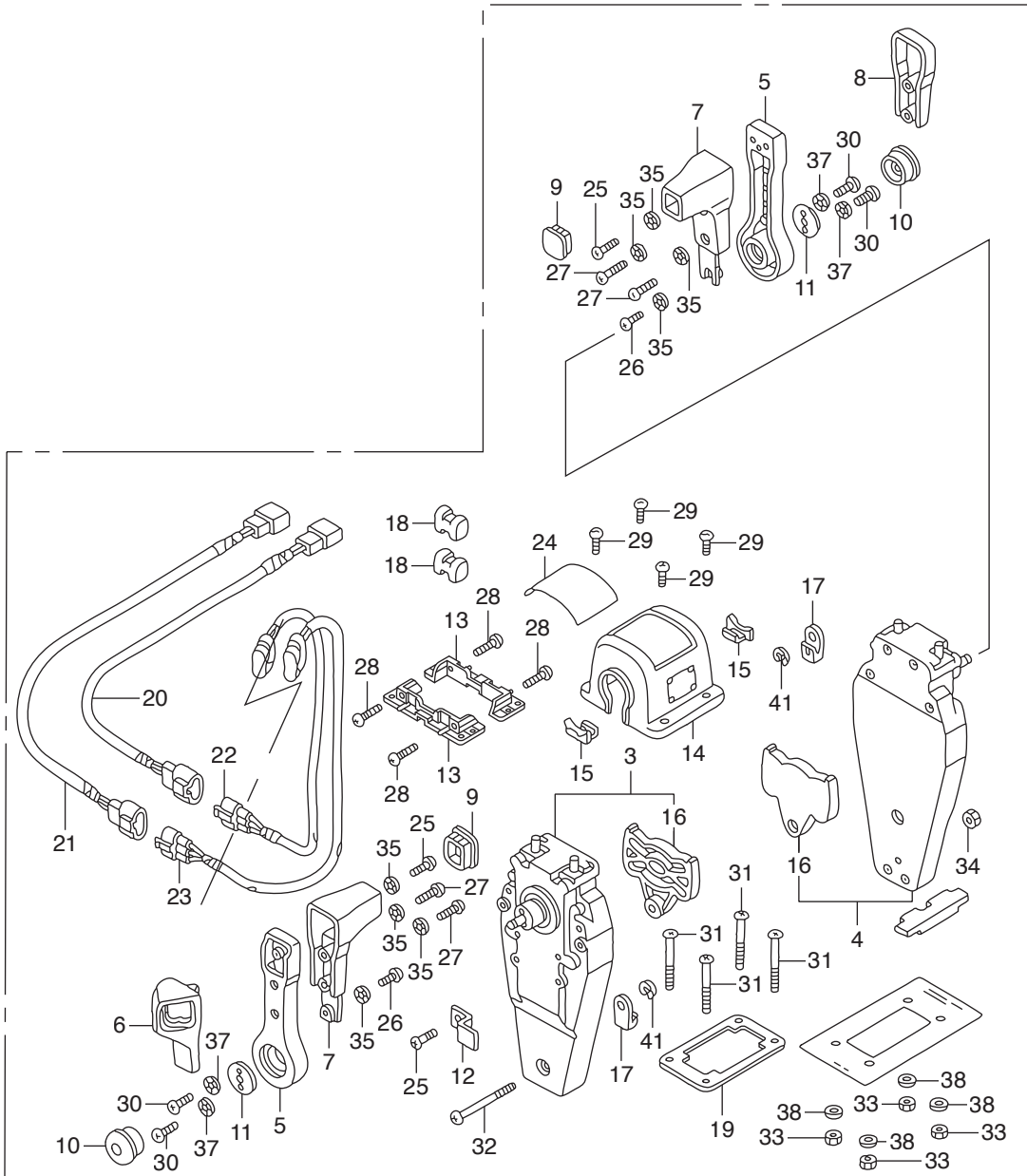




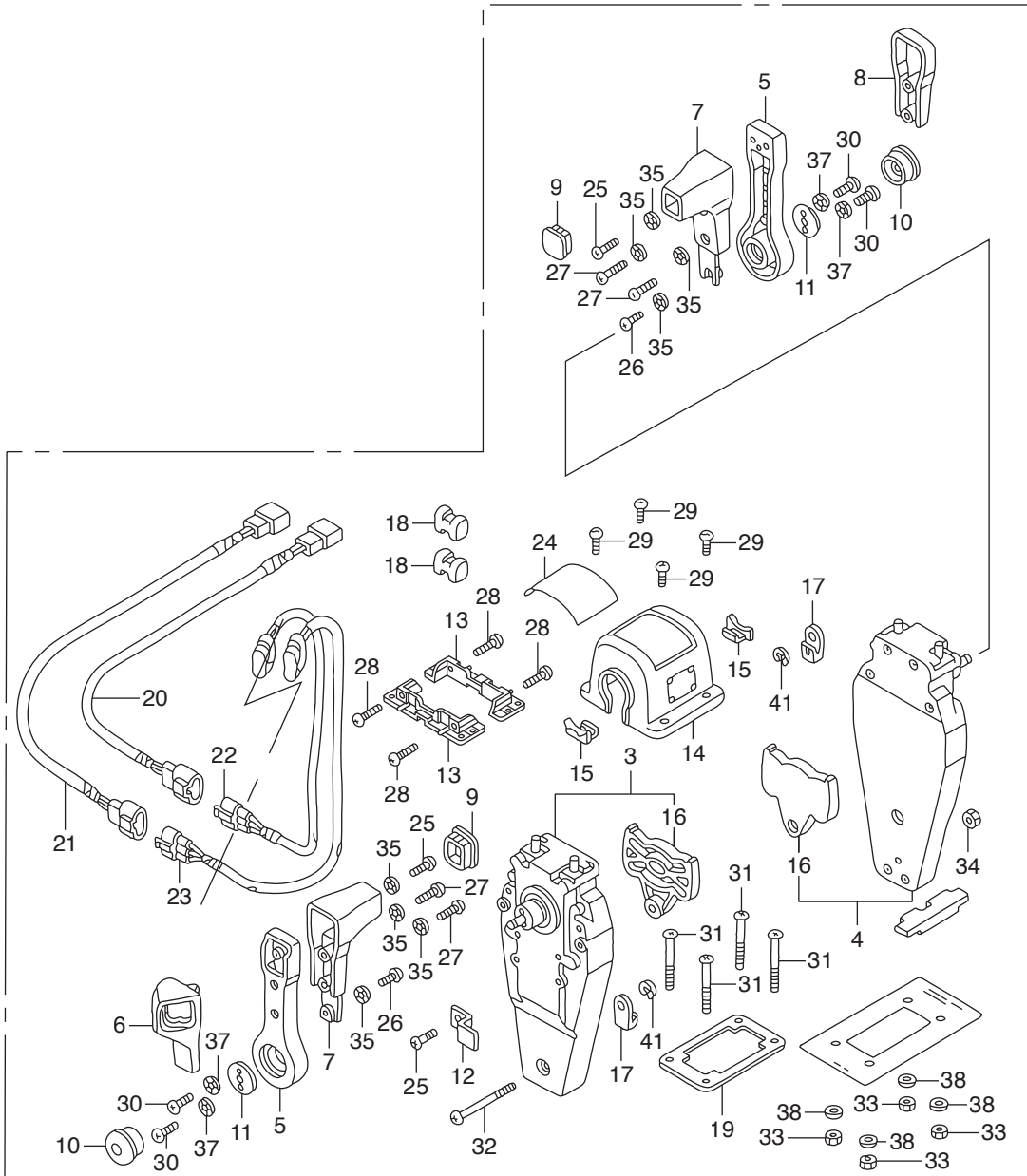


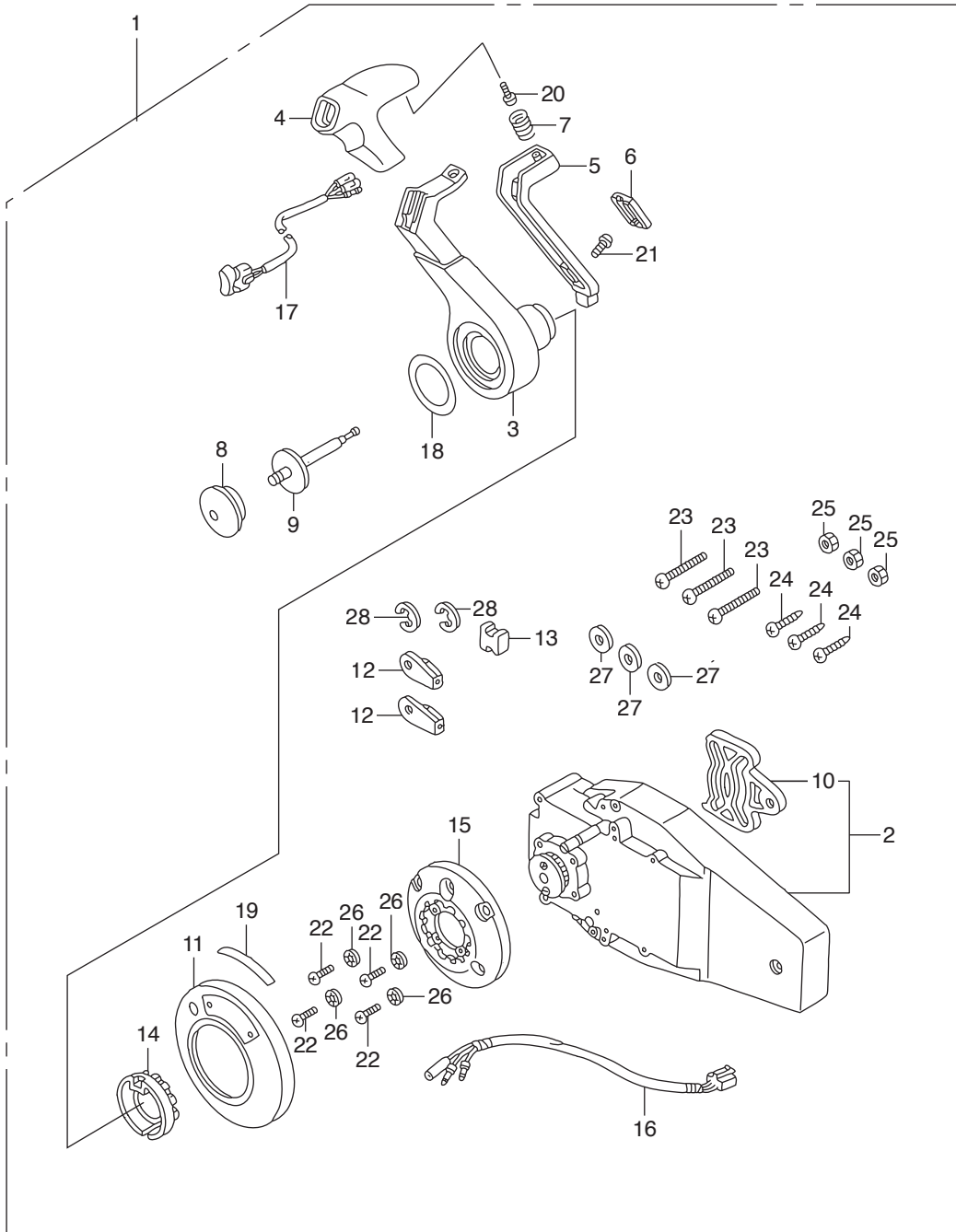
Ref.No.	Part No.	Description	Q' ty	Remarks	
			BFT250A		
FOP-1	1	HZZ3-06240-R30	BOX KIT, REMOTE CONTROL	1	(TOP MOUNT SINGLE)(R.)
FOP-1	2	HZW5-06241-U00	SPACER KIT, REMOTE CONTROL BOX	1	(TOP MOUNT SINGLE)
FOP-1	3	HZW5-24810-U01	HOUSING ASSY., L. INNER	1	(TOP MOUNT)
FOP-1	4	HZW5-24811-U01	HANDLE, REMOTE CONTROL	1	
FOP-1	5	HZW5-24812-U01	COVER, L. GRIP	1	
FOP-1	6	HZW5-24813-U01	GRIP, REMOTE CONTROL HANDLE	1	
FOP-1	7	HZW5-24814-U01	CAP, GRIP	1	
FOP-1	8	HZW5-24815-U01	CAP, SWITCH	1	
FOP-1	9	HZW5-24816-U01	BUTTON, THROTTLE	1	
FOP-1	10	HZW5-24817-U01	PLATE, HANDLE	1	
FOP-1	11	HZW5-24818-U01	PLATE, CABLE CLAMP	1	
FOP-1	12	HZW5-24819-U01	BRACKET, REMOTE CONTROL	2	HOUSING
FOP-1	13	HZZ3-24820-R11	HOUSING COMP., REMOTE CONTROL	1	BOX
FOP-1	14	HZW5-24825-U01	HOUSING, LEAD	1	
FOP-1	15	HZW5-24826-U01	PLATE, DWELL	1	
FOP-1	16	HZW5-24831-U01	TERMINAL, CABLE	2	
FOP-1	17	HZW5-24832-U01	SPACER, CABLE CLAMP	1	
FOP-1	18	HZW5-24834-U01	PACKING, SINGLE	1	
FOP-1	19	HZW7-32530-U00	SUB HARNESS ASSY., POWER	1	TRIM-TILT(A)
FOP-1	20	HZW5-35370-U02	SWITCH ASSY., POWER TRIM-TILT	1	(A)
FOP-1	21	HZZ3-87703-R81	MARK, REMOTE CONTROL(SINGLE)	1	
FOP-1	22	HZW5-90101-U00	SCREW, PAN, 5X16	2	
FOP-1	23	HZW5-90102-U00	SCREW, PAN, 5X10	1	
FOP-1	24	HZW5-90103-U01	SCREW, PAN, 5X20	2	
FOP-1	25	HZW5-90104-U00	SCREW, PAN, 5X18	4	
FOP-1	26	HZW5-90105-U01	SCREW, PAN, 4X10	2	
FOP-1	27	HZW5-90106-U00	SCREW, PAN, 6X18	2	
FOP-1	28	HZW5-90107-U00	SCREW, PAN, 5X40	4	
FOP-1	29	HZW5-90301-U00	NUT, HEX., 5MM	4	



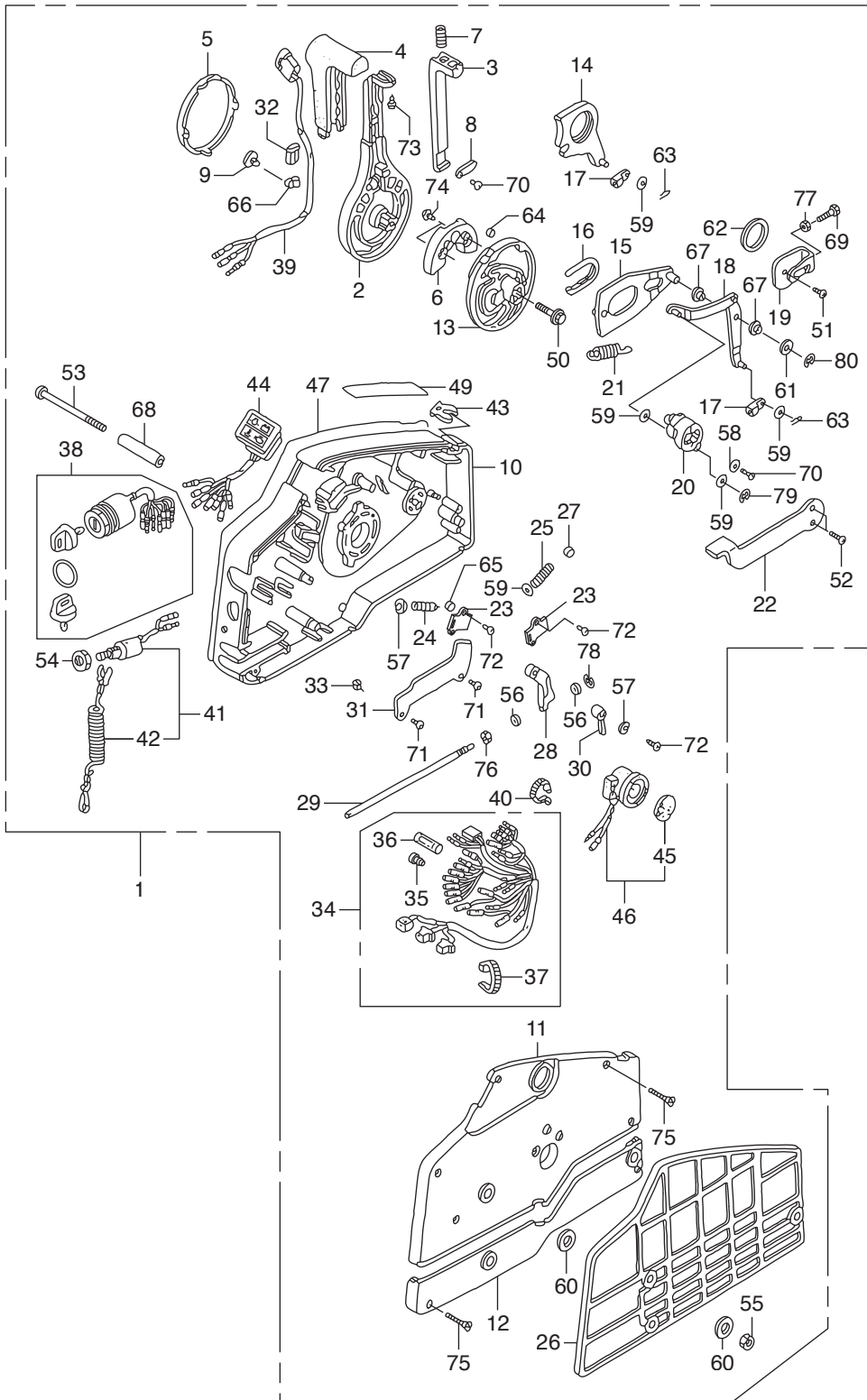


Ref.No.	Part No.	Description	Q' ty	Remarks	
			BFT250A		
FOP-1-2	1	HZZ3-06240-R60	BOX KIT, REMOTE CONTROL	1	(TOP MOUNT DUAL)(R.)
FOP-1-2	2	HZW5-06241-U10	SPACER KIT, REMOTE CONTROL BOX	1	(TOP MOUNT DUAL)
FOP-1-2	3	HZW5-24810-U01	HOUSING ASSY., L. INNER	1	(TOP MOUNT)
FOP-1-2	4	HZW5-24810-U11	HOUSING ASSY., R. INNER	1	(TOP MOUNT)
FOP-1-2	5	HZW5-24811-U01	HANDLE, REMOTE CONTROL	2	
FOP-1-2	6	HZW5-24812-U01	COVER, L. GRIP	1	
FOP-1-2	7	HZW5-24813-U01	GRIP, REMOTE CONTROL HANDLE	2	
FOP-1-2	8	HZW5-24813-U21	COVER, DUAL GRIP	1	
FOP-1-2	9	HZW5-24814-U01	CAP, GRIP	2	LA,XA,XCA
FOP-1-2	10	HZW5-24816-U01	BUTTON, THROTTLE	2	
FOP-1-2	11	HZW5-24817-U01	PLATE, HANDLE	2	
FOP-1-2	12	HZW5-24818-U01	PLATE, CABLE CLAMP	1	
FOP-1-2	13	HZW5-24819-U01	BRACKET, REMOTE CONTROL	2	HOUSING
FOP-1-2	14	HZZ3-24820-R21	HOUSING COMP., REMOTE CONTROL	1	BOX(DUAL)
FOP-1-2	15	HZW5-24825-U01	HOUSING, LEAD	2	
FOP-1-2	16	HZW5-24826-U01	PLATE, DWELL	2	
FOP-1-2	17	HZW5-24831-U01	TERMINAL, CABLE	4	
FOP-1-2	18	HZW5-24832-U01	SPACER, CABLE CLAMP	2	
FOP-1-2	19	HZW5-24834-U21	PACKING, DUAL	1	
FOP-1-2	20	HZW7-32530-U00	SUB HARNESS ASSY., POWER	1	TRIM-TILT(A)
FOP-1-2	21	HZW7-32530-U10	SUB HARNESS ASSY., POWER	1	TRIM-TILT(B)
FOP-1-2	22	HZW5-35370-U02	SWITCH ASSY., POWER TRIM-TILT	1	(A)
FOP-1-2	23	HZW5-35370-U12	SWITCH ASSY., POWER TRIM-TILT	1	(B)
FOP-1-2	24	HZZ3-87703-R01	MARK, REMOTE CONTROL(DUAL)	1	
FOP-1-2	25	HZW5-90101-U00	SCREW, PAN, 5X16	3	
FOP-1-2	26	HZW5-90102-U00	SCREW, PAN, 5X10	2	
FOP-1-2	27	HZW5-90103-U01	SCREW, PAN, 5X20	4	
FOP-1-2	28	HZW5-90104-U00	SCREW, PAN, 5X18	4	
FOP-1-2	29	HZW5-90105-U01	SCREW, PAN, 4X10	4	

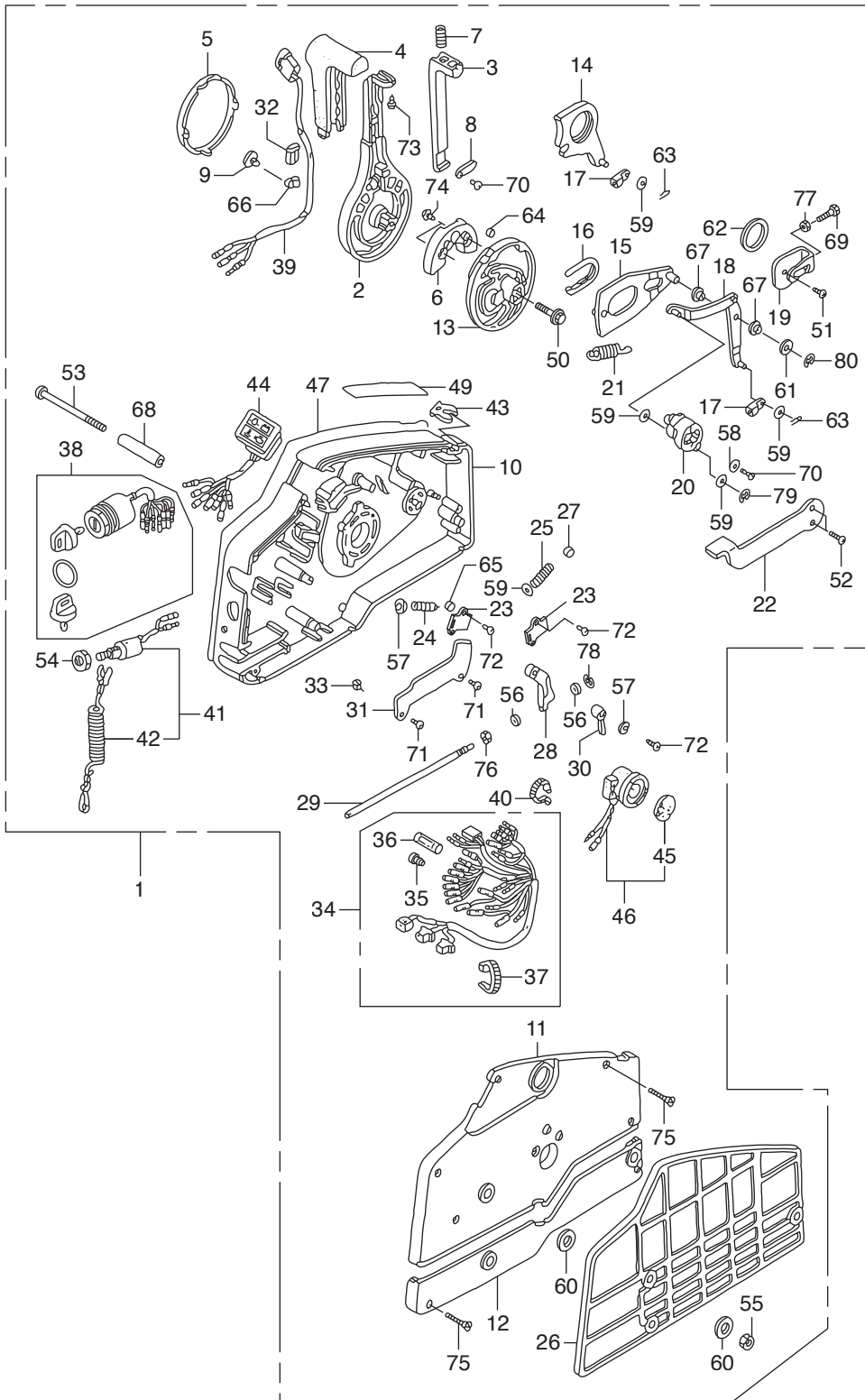




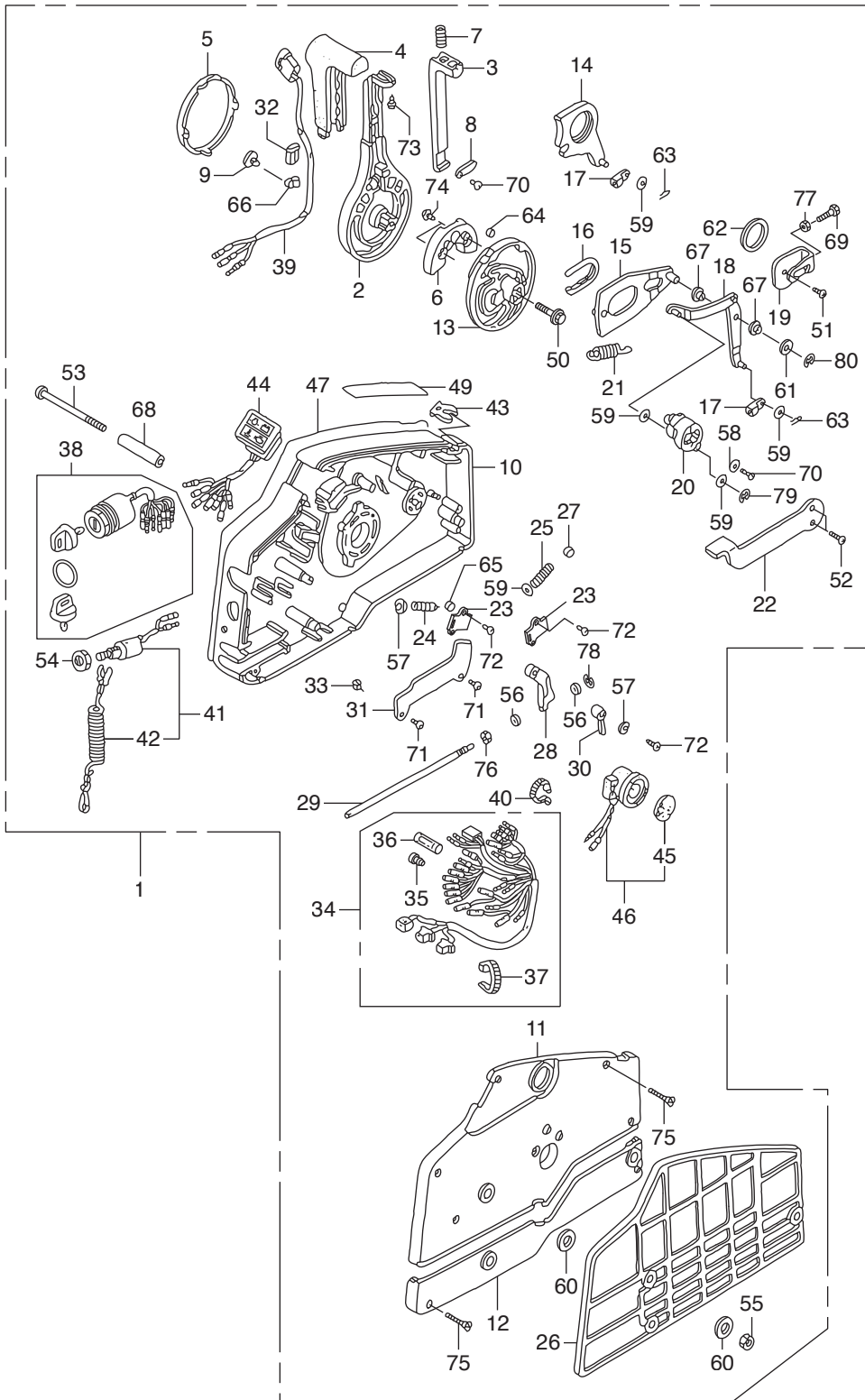
Ref.No.	Part No.	Description	Q' ty	Remarks	
			BFT250A		
FOP-1-4	1	HZZ3-06240-R40	BOX KIT, REMOTE CONTROL	1	(FLUSH MOUNT)(R.)
FOP-1-4	2	HZW7-24810-U01	HOUSING ASSY., R. INNER	1	(FLUSH MOUNT)
FOP-1-4	3	HZW7-24811-U01	HANDLE, REMOTE CONTROL	1	
FOP-1-4	4	HZW7-24812-U01	COVER, GRIP	1	
FOP-1-4	5	HZW7-24813-U01	ARM, NEUTRAL LOCK	1	
FOP-1-4	6	HZW7-24814-U01	COVER, LOCK ARM	1	
FOP-1-4	7	HZW7-24815-U01	SPRING, NEUTRAL LOCK ARM	1	
FOP-1-4	8	HZW5-24816-U01	BUTTON, THROTTLE	1	
FOP-1-4	9	HZW7-24817-U01	SHAFT, THROTTLE BUTTON	1	
FOP-1-4	10	HZW5-24826-U01	PLATE, DWELL	1	
FOP-1-4	11	HZZ3-24830-R41	COVER ASSY.	1	
FOP-1-4	12	HZW5-24831-U01	TERMINAL, CABLE	2	
FOP-1-4	13	HZW5-24832-U01	SPACER, CABLE CLAMP	1	
FOP-1-4	14	HZW7-24832-U01	HOLDER, NEUTRAL LOCK	1	
FOP-1-4	15	HZW7-24833-U01	BASE	1	
FOP-1-4	16	HZW7-32530-U20	SUB HARNESS ASSY., POWER	1	TRIM-TILT(C)
FOP-1-4	17	HZW7-35370-U02	SWITCH ASSY., POWER TRIM-TILT	1	(C)
FOP-1-4	18	HZZ3-87701-R40	MARK, HANDLE FLUSH MOUNT	1	
FOP-1-4	19	HZW7-87703-U00	MARK, FLUSH MOUNT	1	
FOP-1-4	20	HZW5-90101-U00	SCREW, PAN, 5X16	1	
FOP-1-4	21	HZW7-90101-U01	SCREW, TRUSS, 4X12	1	
FOP-1-4	22	HZW7-90102-U01	SCREW, PAN, 5X30	4	
FOP-1-4	23	HZW7-90103-U01	SCREW, PAN, 6X35	3	
FOP-1-4	24	HZW7-90104-U01	SCREW, TAPPING, 6X30	3	
FOP-1-4	25	HZW7-90301-U01	NUT, HEX., 6MM	3	
FOP-1-4	26	HZW5-90501-U00	WASHER, LOCK, 5MM	4	
FOP-1-4	27	HZW7-90502-U00	WASHER, PLAIN, 6MM	3	
FOP-1-4	28	HCO-94540-06029	E-RING, 6MM	2	



Ref.No.	Part No.	Description	Q' ty	Remarks	
			BFT250A		
FOP-1-6	1	HZZ3-24800-R00	BOX ASSY., REMOTE CONTROL(EU)	1	
FOP-1-6	2	HZV5-24811-010	HANDLE, REMOTE CONTROL	1	
FOP-1-6	3	HZV5-24812-000	LEVER, HANDLE LOCK	1	
FOP-1-6	4	HZV5-24813-000	GRIP, REMOTE CONTROL HANDLE	1	
FOP-1-6	5	HZV5-24814-010	CAP, HANDLE	1	
FOP-1-6	6	HZV5-24815-010	BLOCK, NEUTRAL LOCK	1	
FOP-1-6	7	HZV5-24816-000	SPRING, REMOTE CONTROL HANDLE	1	
FOP-1-6	8	HZV5-24817-000	PLATE, LEVER SETTING	1	
FOP-1-6	9	HZV5-24818-003	CLAMP, HARNESS	1	
FOP-1-6	10	HZV5-24820-010	HOUSING COMP., REMOTE CONTROL	1	BOX(A)
FOP-1-6	11	HZV5-24830-010	HOUSING COMP., REMOTE CONTROL	1	BOX(B)
FOP-1-6	12	HZV5-24836-000	HOUSING, REMOTE CONTROL BOX(C)	1	
FOP-1-6	13	HZV5-24841-000	WHEEL, CONTROL	1	
FOP-1-6	14	HZV5-24845-000	ARM COMP., SHIFT LINK	1	
FOP-1-6	15	HZV5-24850-000	PLATE COMP., SLIDING	1	
FOP-1-6	16	HZV5-24854-000	COLLAR, SLIDING PLATE	1	
FOP-1-6	17	HZV5-24855-000	PIVOT, SHIFT	2	
FOP-1-6	18	HZV5-24860-000	ARM COMP., LINK JOINT	1	
FOP-1-6	19	HZV5-24865-000	BRACKET, LINK JOINT	1	
FOP-1-6	20	HZV5-24875-000	WHEEL, ACCELERATOR	1	
FOP-1-6	21	HZV5-24876-000	SPRING, ACCELERATOR WHEEL	1	
FOP-1-6	22	HZV5-24878-000	LEVER, IDLE	1	
FOP-1-6	23	HZV5-24881-000	PLATE, SPRING SETTING	2	
FOP-1-6	24	HZV5-24883-000	SPRING, SHIFT CLICK	1	
FOP-1-6	25	HZV5-24884-000	SPRING, CHOKE RETURN	1	
FOP-1-6	26	HZV5-24885-000	SPACER, REMOTE CONTROL BOX	1	
FOP-1-6	27	HZV5-24887-000	SPACER, CLICK SPRING	1	
FOP-1-6	28	HZV5-24891-000	BLOCK, THROTTLE FRICTION	1	
FOP-1-6	29	HZV5-24892-000	BOLT, FRICTION	1	

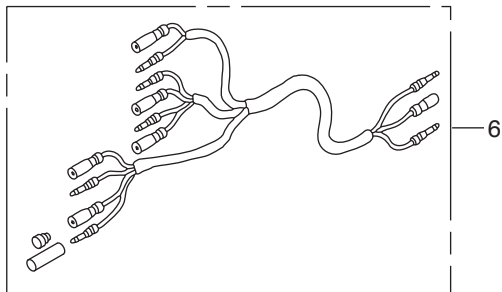
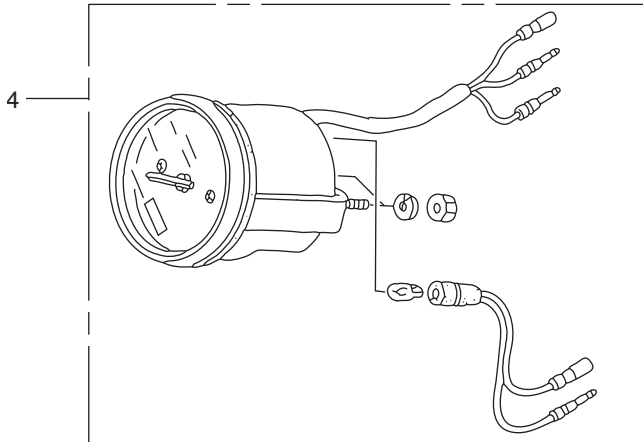
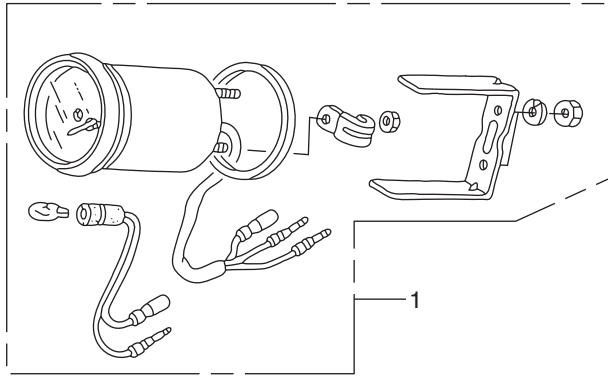


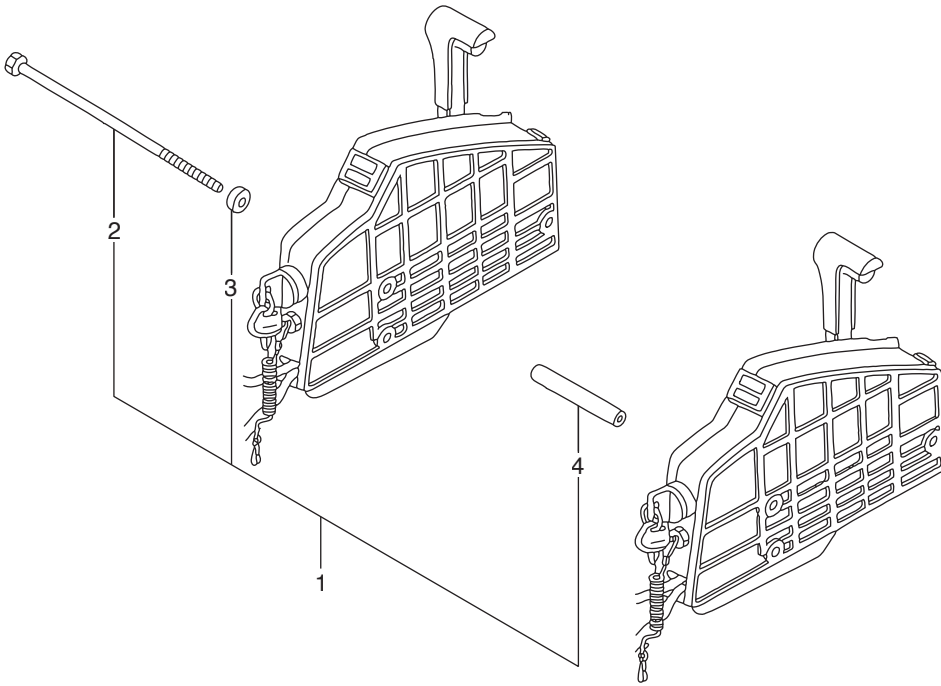
Ref.No.	Part No.	Description	Q' ty	Remarks	
			BFT250A		
FOP-1-6	30	HZV5-24894-000	SPACER, NEUTRAL SWITCH	1	
FOP-1-6	31	HZV5-24895-000	CLAMP, POWER TILT CORD	1	
FOP-1-6	32	HZV5-24897-000	PIPE, HARNESS GUIDE	1	
FOP-1-6	33	HZV5-24898-000	SPACER, CABLE CLAMP	1	
FOP-1-6	34	HZZ5-32530-000	CABLE ASSY., REMOTE CONTROL(B)	1	
FOP-1-6	35	HZV5-32823-003	PLUG, INNER CONNECTOR	7	
FOP-1-6	36	HZV5-32824-003	PLUG, OUTER CONNECTOR	1	
FOP-1-6	37	H952-32901-770	TIE, CABLE(NATURAL)(2.4X92)	1	
FOP-1-6	38	HZZ3-35100-R11	SWITCH ASSY., COMBINATION	1	
FOP-1-6	39	HZV5-35370-823	SWITCH ASSY., POWER TRIM-TILT	1	
FOP-1-6	40	HMG9-35701-950	BAND(BLACK 3.5X140)	1	
FOP-1-6	41	HZV5-36180-033	SWITCH ASSY., EMERGENCY STOP	1	
FOP-1-6	42	HZV4-36182-651	CORD COMP., EMERGENCY	1	
FOP-1-6	43	HZV4-36187-652	CLIP, EMERGENCY LOCK	1	
FOP-1-6	44	HZZ5-37210-013	LAMP ASSY., INDICATION	1	
FOP-1-6	45	H341-38403-672	PLATE, WINKER BUZZER	1	
FOP-1-6	46	HZV5-38410-003	BUZZER COMP., WARNING	1	
FOP-1-6	47	HZZ3-87701-R00	PLATE, REMOTE CONTROL	1	
FOP-1-6	49	HZW9-87702-800	MARK, FAST IDLE	1	
FOP-1-6	50	HZW9-90008-000	BOLT, FLANGE, 8X35	1	
FOP-1-6	51	HMM4-90105-000	SCREW, PAN, 6X10	1	
FOP-1-6	52	HZW4-90108-000	SCREW, FLAT, 5X12	2	
FOP-1-6	53	HZV5-90125-000	SCREW, 6X95	3	
FOP-1-6	54	H921-90302-000	NUT, HEX., 16MM	1	
FOP-1-6	55	HZV4-90304-000	NUT, HEX., 6MM	3	
FOP-1-6	56	HZW4-90401-000	WASHER, PLAIN, 4MM	2	
FOP-1-6	57	HZW4-90402-000	WASHER, PLAIN, 5MM	2	
FOP-1-6	58	HZV4-90502-000	WASHER, PLAIN, 5MM	1	
FOP-1-6	59	H921-90504-010	WASHER, PLAIN, 6MM	5	

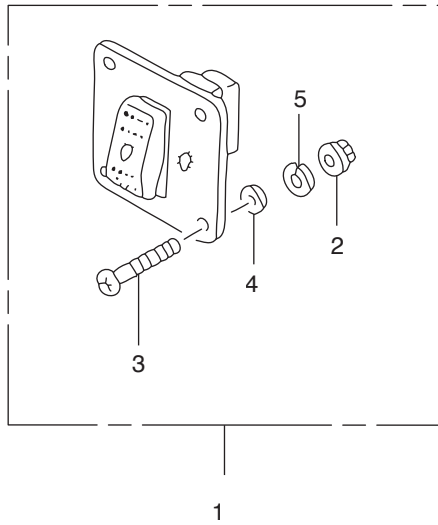


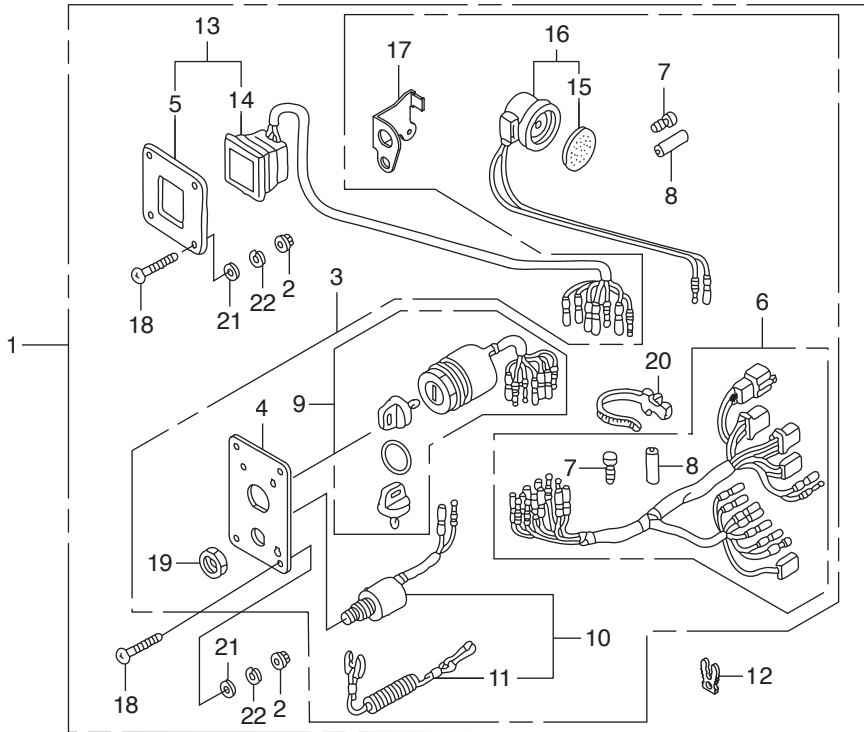
FOP-3

METER

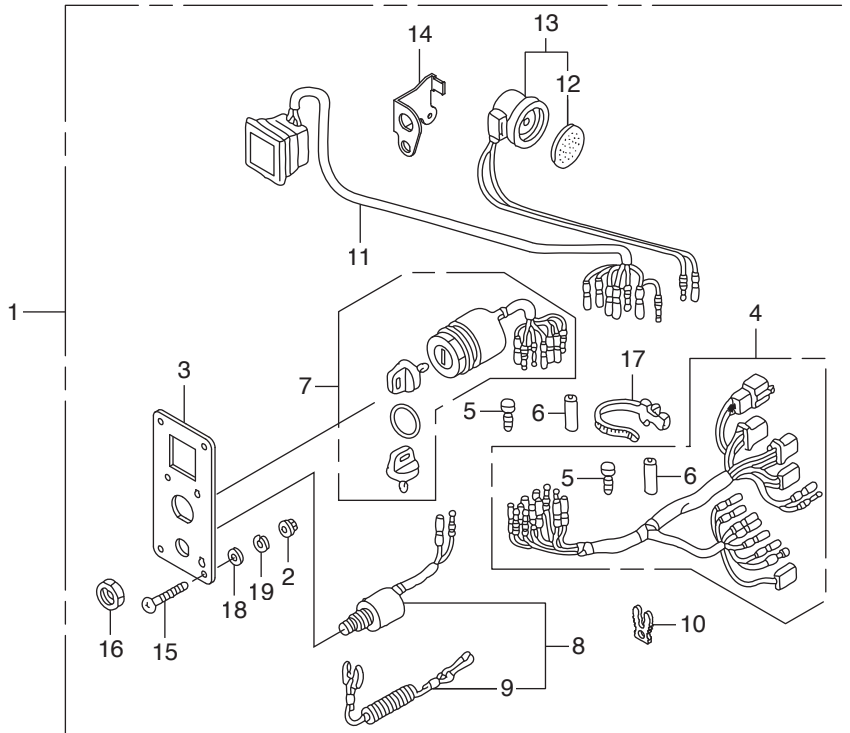


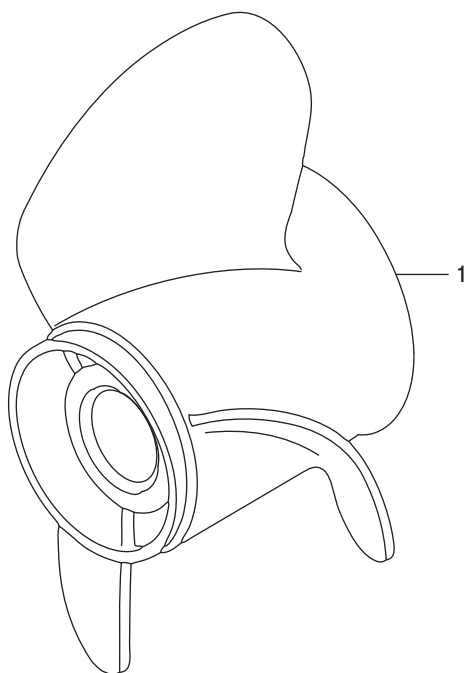


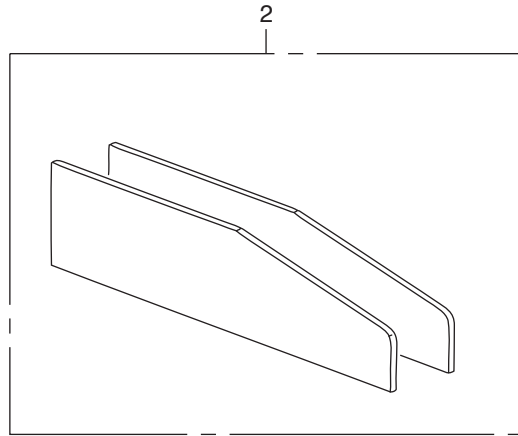
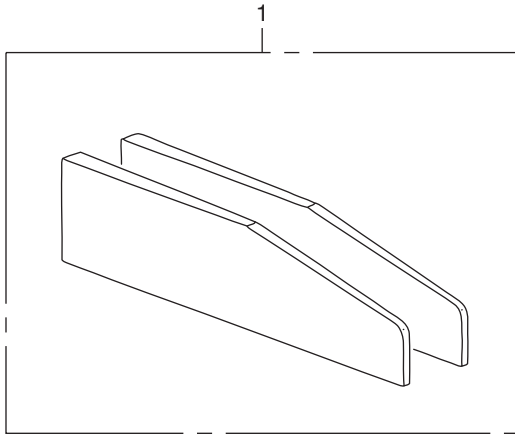


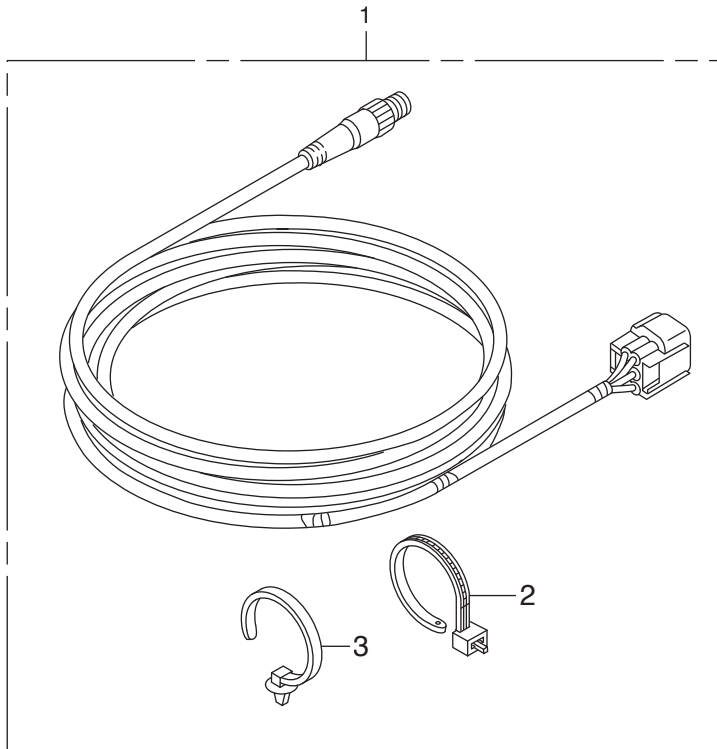


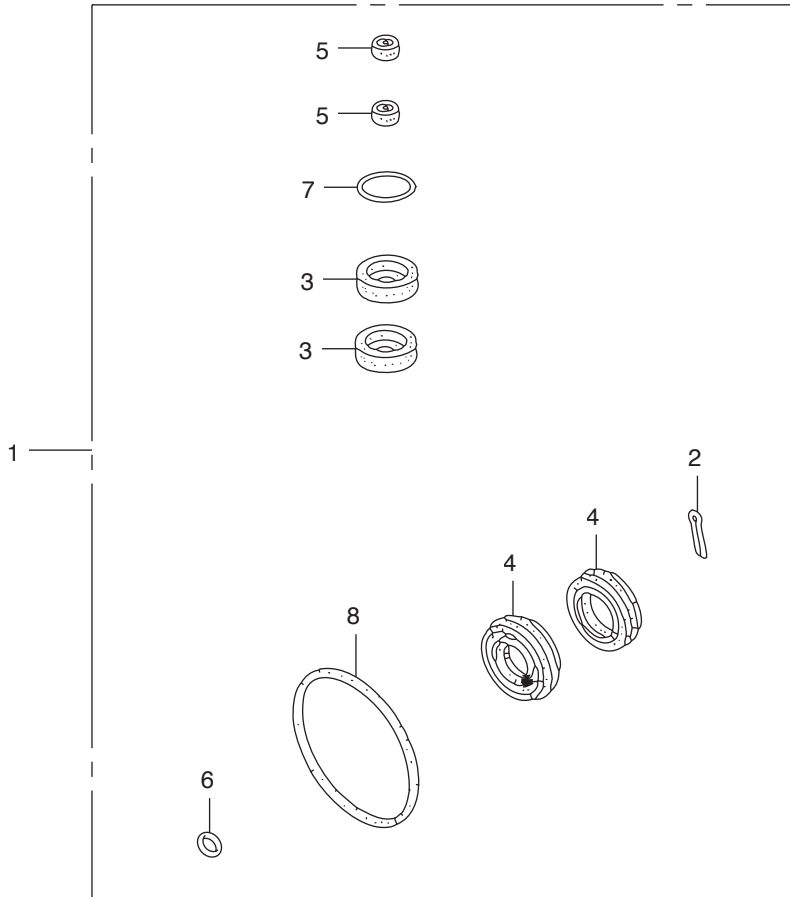
Ref.No.	Part No.	Description	Q' ty	Remarks	
			BFT250A		
FOP-7	1	HZZ3-06323-R20	PANEL KIT, SWITCH(B)(4-LED)	1	
FOP-7	2	HMT8-18334-770	NUT, FLANGE, 5MM	8	
FOP-7	3	HZZ3-32341-R31	PANEL ASSY., SWITCH	1	
FOP-7	4	HZZ3-32346-R21	PANEL, CONTROL	1	
FOP-7	5	HZZ3-32347-R01	PANEL, CONTROL	1	
FOP-7	6	HZZ5-32545-000	HARNESS ASSY., SWITCH PANEL	1	
FOP-7	7	HZV5-32823-003	PLUG, INNER CONNECTOR	8	
FOP-7	8	HZV5-32824-003	PLUG, OUTER CONNECTOR	3	
FOP-7	9	HZZ3-35100-R11	SWITCH ASSY., COMBINATION	1	
FOP-7	10	HZV5-36180-033	SWITCH ASSY., EMERGENCY STOP	1	
FOP-7	11	HZV4-36182-651	CORD COMP., EMERGENCY	1	
FOP-7	12	HZV4-36187-652	CLIP, EMERGENCY LOCK	1	
FOP-7	13	HZZ3-37205-R01	PANEL ASSY., INDICATOR(4-LED)	1	
FOP-7	14	HZZ5-37210-762	LAMP ASSY., INDICATION(4-LED)	1	
FOP-7	15	H341-38403-672	PLATE, WINKER BUZZER	1	
FOP-7	16	HZV5-38410-003	BUZZER COMP., WARNING	1	
FOP-7	17	HZZ5-38414-003	BRACKET, BUZZER	1	
FOP-7	18	HZW5-90109-000	SCREW, PAN, 5X40	8	
FOP-7	19	H921-90302-000	NUT, HEX., 16MM	1	
FOP-7	20	HSC2-90649-003	BAND, WIRE HARNESS(NATURAL)	1	(150MM)
FOP-7	21	HCO-94103-05400	WASHER, PLAIN, 5MM	8	
FOP-7	22	HCO-94111-05400	WASHER, SPRING, 5MM	8	

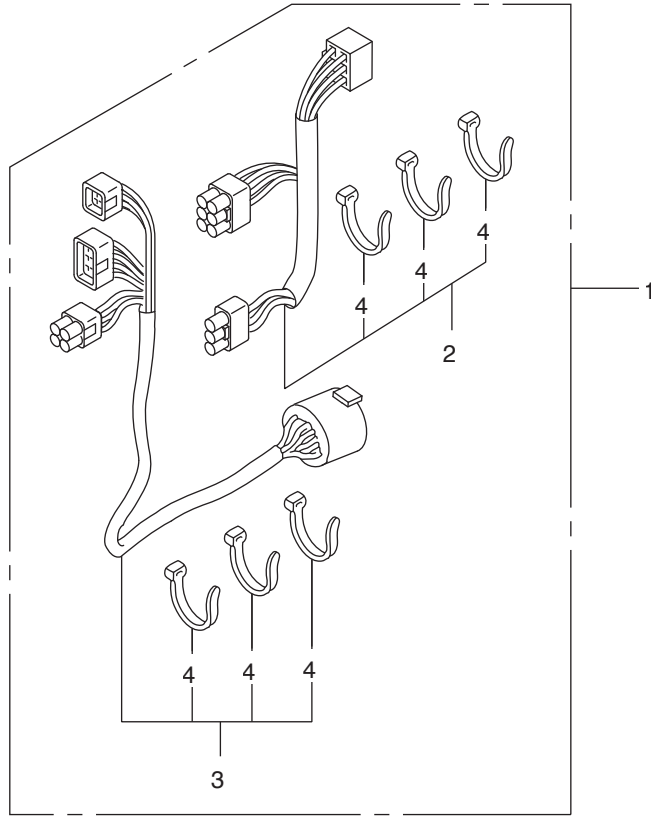












INDEX

<A>			
ARM ASSY., INTAKE ROCKER.....	E-9-10-4	BOLT, 12MM.....	E-5-13
ARM COMP. A, EX. ROCKER.....	E-9-10-5	BOLT, 3/8-24UNF.....	F-10-43
ARM COMP. B, EX. ROCKER.....	E-9-10-6	BOLT, CONNECTING ROD.....	E-7-6
ARM COMP., LINK JOINT.....	FOP-1-6-18	BOLT, COVER LOCK.....	F-8-12
ARM COMP., SHIFT LINK.....	FOP-1-6-14	BOLT, DRAIN PLUG.....	E-6-11
ARM, FUEL PUMP ROCKER.....	E-9-10-3	BOLT, DRAIN PLUG.....	F-3-14
ARM, NEUTRAL LOCK.....	FOP-1-4-5	BOLT, FLANGE, 10X110.....	E-21-20
ARM, SHIFT.....	F-2-9	BOLT, FLANGE, 10X120(SATO).....	E-6-20-2
ARM, THROTTLE.....	F-2-3	BOLT, FLANGE, 10X40.....	E-13-26
ARMATURE COMP.....	F-11-7	BOLT, FLANGE, 10X43.....	E-13-27
		BOLT, FLANGE, 10X55.....	E-3-10-10
BAG, TOOL, 200MM.....	F-13-13	BOLT, FLANGE, 10X70.....	E-6-20-11
BALL, STEEL.....	E-21-6	BOLT, FLANGE, 10X90.....	E-19-21
BALL, STEEL, #12(3/8).....	F-5-33	BOLT, FLANGE, 10X90.....	E-21-19
BALL, STEEL, #12(3/8).....	F-5-1-36	BOLT, FLANGE, 12X120.....	E-6-20-12
BALL, STEEL, #7(7/32).....	F-5-32	BOLT, FLANGE, 12X95.....	E-3-28
BALL, STEEL, #7(7/32).....	F-5-1-35	BOLT, FLANGE, 5X10.....	E-14-10-17
BAND.....	E-18-42	BOLT, FLANGE, 5X14.....	E-13-10-9
BAND(BLACK 3.5X140).....	F-11-3	BOLT, FLANGE, 6X10.....	E-14-22
BAND(BLACK 3.5X140).....	FOP-1-6-40	BOLT, FLANGE, 6X10.....	E-18-1-25
BAND, AIR FLOW.....	E-15-8	BOLT, FLANGE, 6X10.....	E-20-10-8
BAND, TUBE CLIP, 12.5MM.....	F-8-20-4	BOLT, FLANGE, 6X10.....	F-7-10-15
BAND, UNDER CASE GROMMET.....	F-8-10-4	BOLT, FLANGE, 6X11.....	F-2-24
BAND, WIRE.....	F-10-6	BOLT, FLANGE, 6X12.....	E-18-51
BAND, WIRE.....	F-10-76	BOLT, FLANGE, 6X12.....	E-18-1-26
BAND, WIRE HARNESS.....	F-7-10-20	BOLT, FLANGE, 6X12.....	F-2-26
BAND, WIRE HARNESS.....	F-7-10-20	BOLT, FLANGE, 6X12.....	F-7-3
BAND, WIRE HARNESS(NATURAL).....	FOP-7-20	BOLT, FLANGE, 6X12.....	F-7-10-14
BAND, WIRE HARNESS(NATURAL).....	FOP-7-1-17	BOLT, FLANGE, 6X12.....	F-8-10-29
BAND, WIRE, 165MM(BLACK).....	F-7-10-20	BOLT, FLANGE, 6X12.....	F-10-37
BASE.....	FOP-1-4-15	BOLT, FLANGE, 6X14.....	E-3-35
BASE COMP., TIMING BELT.....	E-13-10	BOLT, FLANGE, 6X14.....	E-5-21
BASE, L. INJECTOR.....	E-14-13	BOLT, FLANGE, 6X14.....	E-14-21
BASE, R. INJECTOR.....	E-14-11	BOLT, FLANGE, 6X14.....	E-18-50
BEARING A, CONNECTING ROD.....	E-7-8	BOLT, FLANGE, 6X14.....	F-8-10-27
BEARING A, MAIN LOWER(BLACK).....	E-7-12	BOLT, FLANGE, 6X14(CT200).....	E-1-16
BEARING A, MAIN UPPER(BLACK).....	E-7-10	BOLT, FLANGE, 6X14(CT200).....	E-13-20
BEARING B, CONNECTING ROD.....	E-7-8	BOLT, FLANGE, 6X14(CT200).....	F-2-22
BEARING B, MAIN LOWER(BROWN).....	E-7-12	BOLT, FLANGE, 6X16.....	E-3-33
BEARING B, MAIN UPPER(BROWN).....	E-7-10	BOLT, FLANGE, 6X16.....	E-13-23
BEARING C, CONNECTING ROD.....	E-7-8	BOLT, FLANGE, 6X16.....	E-18-49
BEARING C, MAIN LOWER(GREEN).....	E-7-12	BOLT, FLANGE, 6X16.....	E-19-23
BEARING C, MAIN UPPER(GREEN).....	E-7-10	BOLT, FLANGE, 6X16.....	F-2-23
BEARING D, CONNECTING ROD.....	E-7-8	BOLT, FLANGE, 6X16.....	F-4-18
BEARING D, MAIN LOWER(YELLOW).....	E-7-12	BOLT, FLANGE, 6X18.....	E-3-36
BEARING D, MAIN UPPER(YELLOW).....	E-7-10	BOLT, FLANGE, 6X18.....	E-5-22
BEARING E, CONNECTING ROD.....	E-7-8	BOLT, FLANGE, 6X20.....	E-20-10-9
BEARING E, MAIN LOWER(PINK).....	E-7-12	BOLT, FLANGE, 6X20.....	F-7-20-7
BEARING E, MAIN UPPER(PINK).....	E-7-10	BOLT, FLANGE, 6X20.....	F-8-11
BEARING F, MAIN LOWER(RED).....	E-7-12	BOLT, FLANGE, 6X20.....	F-8-10-30
BEARING F, MAIN UPPER(RED).....	E-7-10	BOLT, FLANGE, 6X20.....	F-10-34
BEARING, FR. GENERATOR.....	E-19-3	BOLT, FLANGE, 6X20.....	F-10-40
BEARING, NEEDLE, 20X28X13.....	E-6-10-34	BOLT, FLANGE, 6X22.....	E-3-37
BEARING, NEEDLE, 28X39X30.....	F-5-26	BOLT, FLANGE, 6X22.....	E-3-10-8
BEARING, NEEDLE, 28X39X30.....	F-5-1-29	BOLT, FLANGE, 6X22.....	E-6-10-24
BEARING, NEEDLE, 30.5X47X37.....	F-4-25	BOLT, FLANGE, 6X22.....	E-13-24
BEARING, NEEDLE, 32X42X30.....	F-5-27	BOLT, FLANGE, 6X22.....	E-14-10-14
BEARING, NEEDLE, 32X42X30.....	F-5-1-30	BOLT, FLANGE, 6X22.....	E-15-21
BEARING, NEEDLE, 50X72X4.5.....	F-5-1-25	BOLT, FLANGE, 6X23.....	F-10-35
BEARING, RADIAL BALL.....	F-5-25	BOLT, FLANGE, 6X25.....	E-14-19
BEARING, RADIAL BALL.....	F-5-1-28	BOLT, FLANGE, 6X25.....	E-18-48
BEARING, RR. GENERATOR.....	E-19-2	BOLT, FLANGE, 6X32.....	E-3-10-9
BEARING, TAPER ROLLER.....	F-4-26	BOLT, FLANGE, 6X32.....	E-6-10-25
BEARING, TAPER ROLLER.....	F-5-24	BOLT, FLANGE, 6X32.....	E-14-10-16
BEARING, THRUST NEEDLE.....	F-5-1-27	BOLT, FLANGE, 6X35.....	E-1-17
BEARING, THRUST(F).....	F-5-23	BOLT, FLANGE, 6X35.....	E-3-34
BEARING, THRUST(F).....	F-5-1-24	BOLT, FLANGE, 6X35.....	E-4-16
BELT, A.C. GENERATOR.....	E-13-17	BOLT, FLANGE, 6X35.....	E-14-20
BELT, TIMING(197YU26 B-333).....	E-13-6	BOLT, FLANGE, 6X37.....	E-3-10-11
BLOCK ASSY., CYLINDER.....	E-3-3	BOLT, FLANGE, 6X40.....	E-6-10-31
BLOCK, NEUTRAL LOCK.....	FOP-1-6-6	BOLT, FLANGE, 6X55.....	E-3-10-14
BLOCK, THROTTLE FRICTION.....	FOP-1-6-28	BOLT, FLANGE, 6X60.....	E-4-18
BODY.....	E-18-3	BOLT, FLANGE, 6X60.....	E-15-22
BODY, OIL JET.....	E-3-13	BOLT, FLANGE, 8X100.....	E-6-10-27
BOLT A, THROUGH.....	E-21-14	BOLT, FLANGE, 8X18.....	F-7-10-16
BOLT COMP., OIL JET.....	E-3-14	BOLT, FLANGE, 8X20.....	E-9-12
BOLT KIT, SIDE REMOTE CONTROL.....	FOP-5-1	BOLT, FLANGE, 8X22.....	F-8-10-31
BOLT, 1/4-28UNF.....	F-10-36	BOLT, FLANGE, 8X25.....	E-3-10-15
		BOLT, FLANGE, 8X28.....	E-9-13
		BOLT, FLANGE, 8X30.....	E-5-23
		BOLT, FLANGE, 8X30.....	E-6-10-29
		BOLT, FLANGE, 8X30.....	E-9-10-18
		BOLT, FLANGE, 8X32.....	E-1-18
		BOLT, FLANGE, 8X35.....	E-18-52
		BOLT, FLANGE, 8X35.....	FOP-1-6-50
		BOLT, FLANGE, 8X40.....	E-4-19
		BOLT, FLANGE, 8X40.....	E-9-10-19
		BOLT, FLANGE, 8X45.....	E-1-19
		BOLT, FLANGE, 8X50.....	E-3-40
		BOLT, FLANGE, 8X50.....	E-14-10-18
		BOLT, FLANGE, 8X60.....	E-4-17
		BOLT, FLANGE, 8X65.....	E-15-23
		BOLT, FLANGE, 8X75.....	E-3-38
		BOLT, FRICTION.....	FOP-1-6-29
		BOLT, HEX.....	F-11-34
		BOLT, HEX., 10X235.....	F-10-41
		BOLT, HEX., 10X35.....	F-3-20-32
		BOLT, HEX., 10X60.....	E-6-20-6
		BOLT, HEX., 10X85.....	E-6-20-5
		BOLT, HEX., 12X120.....	E-6-20-3
		BOLT, HEX., 12X130.....	F-10-46
		BOLT, HEX., 12X200.....	F-10-39
		BOLT, HEX., 12X45.....	F-5-13
		BOLT, HEX., 12X45.....	F-5-1-13
		BOLT, HEX., 12X50.....	F-3-20-37
		BOLT, HEX., 12X65.....	E-6-20-4
		BOLT, HEX., 14X180.....	F-3-20-33
		BOLT, HEX., 5X16.....	FOP-1-6-69
		BOLT, HEX., 6X14.....	F-10-42
		BOLT, HEX., 6X16.....	E-6-10
		BOLT, HEX., 6X16.....	F-2-27
		BOLT, HEX., 6X55.....	F-3-26
		BOLT, HEX., 8X28.....	E-6-9
		BOLT, HEX., 8X35.....	E-6-8
		BOLT, HEX., 8X35.....	F-8-10-26
		BOLT, IDLER.....	E-13-13
		BOLT, OIL CHECK.....	F-3-10
		BOLT, RECESSED.....	F-11-31
		BOLT, SEALING, 18MM.....	E-5-10
		BOLT, SEALING, 22MM.....	E-3-6
		BOLT, SEALING, 22MM.....	E-3-39
		BOLT, SEALING, 22MM.....	E-3-10-12
		BOLT, SEALING, 22MM.....	E-5-25
		BOLT, SEALING, 6MM.....	E-18-46
		BOLT, SOCKET(A).....	F-11-32
		BOLT, SOCKET(B).....	F-11-33
		BOLT, SOCKET, 6X16.....	F-8-13
		BOLT, SPECIAL ADJUSTER.....	E-19-22
		BOLT, SPECIAL, 6X12.....	F-3-20-38
		BOLT, SPECIAL, 6X17.....	F-3-20-35
		BOLT, SPECIAL, 6X22.....	F-3-20-36
		BOLT, SPECIAL, 6X220.....	FOP-5-2
		BOLT, SPECIAL, 6X37.....	F-3-20-39
		BOLT, SPECIAL, 8MM.....	E-5-14
		BOLT, SPECIAL, 8X29.....	E-13-10-8
		BOLT, STUD, 10X170.....	F-3-17
		BOLT, STUD, 10X45.....	E-6-10-26
		BOLT, STUD, 12X170.....	F-3-16
		BOLT, STUD, 12X40.....	F-3-15
		BOLT, STUD, 6X68.....	E-19-8
		BOLT, STUD, 8X28.....	E-14-23
		BOLT, STUD, 8X45.....	E-14-24
		BOLT, TENSIONER.....	E-19-24
		BOLT, TIMING BELT ADJUSTING.....	E-13-21
		BOLT, TIMING BELT COVER.....	E-13-10-7
		BOLT, TIMING BELT IDLER A.....	E-13-14
		BOLT, WASHER, 6X121.....	E-6-10-28
		BOLT, WASHER, 8X60.....	F-4-17
		BOLT-WASHER, 10X109.....	E-3-29
		BOLT-WASHER, 10X32.....	F-3-12
		BOLT-WASHER, 10X32.....	F-10-38
		BOLT-WASHER, 10X47.....	F-3-13
		BOLT-WASHER, 10X60.....	E-3-30
		BOLT-WASHER, 10X80.....	E-3-31
		BOLT-WASHER, 11X105.....	E-3-32
		BOLT-WASHER, 12X163.....	E-9-11
		BOLT-WASHER, 12X35.....	E-13-25
		BOLT-WASHER, 16X49.....	E-13-22

BOLT-WASHER, 5X18	E-14-10-15	CABLE SET, PANEL INDICATOR	FOP-13-1	CLIP, TUBE(B12)	E-18-1-28
BOLT-WASHER, 5X30	E-15-20	CABLE SET, PANEL INDICATOR	FOP-13-1	CLIP, TUBE(B12)	E-18-10-20
BOLT-WASHER, 6X16	F-2-25	CAMSHAFT, L.	E-9-10-2	CLIP, TUBE(B12.5).....	E-6-10-33
BOLT-WASHER, 6X25	E-15-19	CAMSHAFT, R.	E-9-10-1	CLIP, TUBE(B12.5).....	E-18-1-29
BOLT-WASHER, 6X25	F-3-20-31	CAP COMP., OIL TANK	F-11-30	CLIP, TUBE(B12.5).....	F-3-20-47
BOLT-WASHER, 6X25	F-7-10-13	CAP, BOLT, 10MM	E-3-10-13	CLIP, TUBE(B8).....	E-18-1-27
BOLT-WASHER, 6X27	E-20-4	CAP, GRIP	FOP-1-7	CLIP, TUBE(B8).....	F-10-65
BOLT-WASHER, 6X27(CT200).....	E-20-10-7	CAP, GRIP	FOP-1-2-9	CLIP, WIRE.....	E-18-10-21
BOLT-WASHER, 6X27(CT200).....	F-7-10-12	CAP, HANDLE.....	FOP-1-6-5	CLIP, WIRE HARNESS.....	E-18-1-32
BOLT-WASHER, 6X29	E-6-10-30	CAP, L. SIDE COVER	F-8-10-24	CLIP, WIRE HARNESS.....	F-7-4
BOLT-WASHER, 8X35	E-18-47	CAP, OIL(YELLOW).....	E-3-10-5	CLIP, WIRE HARNESS.....	F-7-10-21
BOSS, FLYWHEEL	E-5-12	CAP, SWITCH.....	FOP-1-8	CLIP, WIRE HARNESS.....	F-7-10-22
BOX ASSY., JUNCTION	F-7-20-1	CAP, TIMING BELT TENSIONER.....	E-13-8	CLIP, WIRE HARNESS.....	F-10-67
BOX ASSY., REMOTE CONTROL(EU).....	FOP-1-6-1	CAP, UNDER COVER.....	F-3-20-24	CLIP, WIRE HARNESS(6.3MM).....	FOP-1-6-66
BOX KIT, REMOTE CONTROL.....	FOP-1-1	CAP, WATER JOINT.....	F-3-20-4	CLIP, WIRE HARNESS, 10MM.....	E-14-26
BOX KIT, REMOTE CONTROL.....	FOP-1-2-1	CARTRIDGE, OIL FILTER	E-3-10-4	CLIP, WIRE HARNESS, 25MM.....	E-18-1-31
BOX KIT, REMOTE CONTROL.....	FOP-1-4-1	CASE ASSY., GEAR(L)	F-3-10-1	CLIP, WIRE HARNESS, 25MM.....	E-20-10-10
BRACKET A, RR. COVER.....	F-8-10-8	CASE ASSY., GEAR(XL).....	F-3-10-1	CLIP, WIRE HARNESS, 25MM.....	F-3-20-49
BRACKET ASSY.	F-11-6	CASE ASSY., GEAR(XL).....	F-3-10-1	CLUTCH COMP., OVERRUNNING.....	E-21-3
BRACKET B, HARNESS CLIP	E-3-22	CASE ASSY., GEAR(XXL).....	F-3-10-1	CLUTCH COMP., OVERRUNNING.....	E-21-3
BRACKET B, RR. COVER.....	F-8-10-9	CASE ASSY., GEAR(XXL).....	F-3-10-1	COCK ASSY., FUEL DRAIN	E-18-1-24
BRACKET C, COUPLER.....	F-7-10-2	CASE ASSY., OIL SEAL	E-3-2	COIL COMP., PLUG HOLE.....	E-20-2
BRACKET C, HARNESS CLIP	E-1-12	CASE COMP., GEAR	F-3-27	COLLAR	E-18-26
BRACKET, A.C. GENERATOR FUSE.....	E-20-10-3	CASE COMP., MOUNT	E-6-10-22	COLLAR, 6.2X10X25.5.....	F-3-20-52
BRACKET, BUZZER	FOP-7-17	CASE COMP., PUMP	E-18-27	COLLAR, 8.5X14.5.....	E-18-56
BRACKET, BUZZER	FOP-7-1-14	CASE KIT, GEAR	FOP-12-1	COLLAR, 8.5X14.5.....	F-8-10-38
BRACKET, CABLE.....	F-8-10-1	CASE, ELECTRONIC PARTS.....	E-20-10-1	COLLAR, C.D.I. UNIT CASE.....	E-15-26
BRACKET, CLIP B	E-1-11	CASE, EXTENSION.....	F-3-20-10	COLLAR, C.D.I. UNIT CASE.....	E-20-5
BRACKET, CLIP B	E-3-21	CASE, EXTENSION.....	F-3-20-10	COLLAR, C.D.I. UNIT CASE.....	E-20-10-11
BRACKET, COUPLER D.....	E-13-18	CASE, FLUSH VALVE	E-6-10-7	COLLAR, C.D.I. UNIT CASE.....	F-7-10-25
BRACKET, ECU	E-20-10-5	CASE, GEAR	F-3-3	COLLAR, DISTANCE.....	F-4-33
BRACKET, FR.....	E-21-10	CASE, POWER TILT RELAY	F-7-10-11	COLLAR, DISTANCE(A)	FOP-5-3
BRACKET, FR. COVER.....	F-8-10-5	CASE, SWIVEL.....	F-10-20	COLLAR, DISTANCE(B).....	FOP-5-4
BRACKET, HARNESS CLIP A	E-14-17	CASE, SWIVEL.....	F-10-20	COLLAR, DISTANCE, 6.5X9X3.....	F-8-16
BRACKET, HOOK.....	F-8-4	CIRCLIP, EXTERNAL, 15MM.....	F-5-31	COLLAR, DISTANCE, 6.5X9X5.....	F-3-20-52
BRACKET, L. SIDE COVER	F-8-10-7	CIRCLIP, EXTERNAL, 15MM.....	F-5-1-34	COLLAR, DISTANCE, 6X10.5X25.....	F-3-20-53
BRACKET, L. STERN.....	F-10-25	CIRCLIP, EXTERNAL, 39MM.....	F-10-66	COLLAR, DISTANCE, 6X10X43.5.....	FOP-1-6-68
BRACKET, LINK JOINT.....	FOP-1-6-19	CIRCLIP, INTERNAL.....	F-11-38	COLLAR, LINK JOINT	FOP-1-6-67
BRACKET, NEUTRAL SWITCH	F-2-19	CIRCLIP, INTERNAL, 43	F-3-20-48	COLLAR, LOWER CYLINDER	F-10-33
BRACKET, R. SIDE COVER.....	F-8-10-6	CIRCLIP, INTERNAL, 47MM.....	F-4-37	COLLAR, LOWER CYLINDER	F-10-33
BRACKET, R. STERN	F-10-24	CLAMP	F-6-5	COLLAR, LOWER CYLINDER	F-10-33
BRACKET, REMOTE CONTROL	FOP-1-12	CLAMP	F-6-8	COLLAR, MOUNTING(6MM).....	F-7-10-23
BRACKET, REMOTE CONTROL	FOP-1-2-13	CLAMP, CHECK VALVE	E-18-10-2	COLLAR, ORIFICE.....	F-11-50
BRACKET, RR.....	E-21-11	CLAMP, FUEL TUBE	E-18-10-22	COLLAR, SET.....	E-18-23
BRACKET, SENSOR CORD.....	E-14-10-8	CLAMP, HARNESS.....	FOP-1-6-9	COLLAR, SHIFT SLIDER	F-2-11
BRACKET, SHIFT LINK	F-2-16	CLAMP, HOSE	E-18-10-10	COLLAR, SHIELDING PLATE	FOP-1-6-16
BRACKET, SOLENOID VALVE.....	E-1-6	CLAMP, POWER TILT CORD.....	FOP-1-6-31	COLLAR, STEERING ROD	F-10-71
BRACKET, TILTING	F-10-28	CLAMP, TUBE.....	F-10-21	COLLAR, TIMING BELT COVER	E-13-10-10
BREAKER ASSY.	F-11-1	CLAMP, TUBE(D10.5).....	E-4-20	CONTROL UNIT, ELECTRONIC	E-20-10-4
BRUSH ASSY.	F-11-2	CLAMP, TUBE(D10.5).....	E-18-10-25	CONTROL UNIT, ELECTRONIC	E-20-10-4
BRUSH SET	E-21-7	CLAMP, TUBE(D10.7).....	E-18-10-19	CORD ASSY., INDICATOR(20FT).....	FOP-13-2
BRUSH SET	E-21-7	CLAMP, TUBE(D21)	E-4-22	CORD ASSY., INDICATOR(25FT).....	FOP-13-2
BUFFER, PLATE	E-18-1-6	CLAMP, TUBE(D29)	E-4-21	CORD ASSY., INDICATOR(30FT).....	FOP-13-2
BUSH A, COVER LOCK	F-8-10-15	CLAMP, TUBE(D32.5).....	E-1-21	CORD COMP., EMERGENCY.....	FOP-1-6-42
BUSH A, THRUST RECEIVE	F-10-31	CLAMP, WIRE, 8MM	E-18-1-30	CORD COMP., EMERGENCY.....	FOP-7-11
BUSH B, COVER LOCK	F-8-10-16	CLAMPER, SENSOR TUBE.....	F-10-12	CORD COMP., EMERGENCY.....	FOP-7-1-9
BUSH B, THRUST RECEIVE	F-10-32	CLIP A, WIRE.....	E-1-13	CORD, A.C. GENERATOR.....	F-7-10-8
BUSH COMP., VERTICAL SHAFT.....	F-3-20-12	CLIP D, SPEEDOMETER CABLE.....	E-14-18	CORD, SWITCH	E-3-23
BUSH, INSULATION	E-19-4	CLIP D, WASHER TUBE	E-1-28	COTTER, VALVE(FUJI VALVE).....	E-9-10-17
BUSH, INSULATION	E-19-18	CLIP, 10.7MM.....	F-11-37	COVER ASSY.....	FOP-1-4-11
BUSH, LOWER CYLINDER.....	F-11-27	CLIP, BRAKE PIPE	F-2-21	COVER ASSY., COOLING FAN	E-15-29
BUSH, MOTOR CODE.....	F-11-21	CLIP, EMERGENCY LOCK.....	FOP-1-6-43	COVER ASSY., CRANKCASE UPPER.....	E-3-1
BUSH, SHIFT ARM.....	F-2-15	CLIP, EMERGENCY LOCK	FOP-7-12	COVER ASSY., ENGINE.....	F-8-2
BUSH, SWIVEL CASE	F-10-23	CLIP, EMERGENCY LOCK	FOP-7-1-10	COVER ASSY., L. TIMING BELT.....	E-13-10-3
BUSH, SWIVEL CASE	F-11-12	CLIP, HARNESS	E-1-23	COVER ASSY., R. TIMING BELT.....	E-13-10-2
BUSH, TILT ARM	F-10-27	CLIP, HARNESS	E-18-54	COVER B, TERMINAL	F-7-10-6
BUTTON, THROTTLE	FOP-1-9	CLIP, HARNESS	F-8-10-36	COVER B, TERMINAL(L).....	F-7-10-5
BUTTON, THROTTLE	FOP-1-2-10	CLIP, HARNESS BAND(BLACK).....	E-3-50	COVER COMP.....	E-18-4
BUTTON, THROTTLE	FOP-1-4-8	CLIP, HARNESS BAND(BLACK).....	E-13-10-11	COVER COMP., FUSE.....	F-7-20-2
BUZZER COMP., WARNING	FOP-1-6-46	CLIP, HARNESS BAND(BLACK).....	F-2-41	COVER COMP., INTAKE MANIFOLD	E-14-10-5
BUZZER COMP., WARNING	FOP-7-16	CLIP, HARNESS BAND(BLACK).....	F-7-5	COVER COMP., L. UNDER ENGINE.....	F-3-20-21
BUZZER COMP., WARNING	FOP-7-1-13	CLIP, HARNESS BAND(BLACK).....	F-7-10-24	COVER COMP., R. UNDER ENGINE.....	F-3-20-20
<C>		CLIP, HARNESS BAND(BLACK).....	F-8-10-37	COVER, BEARING	E-19-5
CABLE ASSY., POWER TILT RELAY.....	F-7-10-7	CLIP, HARNESS BAND(BLACK).....	FOP-10-3	COVER, DRAIN PLUG(L).....	F-3-20-13
CABLE ASSY., REMOTE CONTROL(B).....	FOP-1-6-34	CLIP, INJECTOR	E-14-2	COVER, DRAIN PLUG(XL).....	F-3-20-13
CABLE ASSY., STARTER.....	F-7-10-3	CLIP, PISTON PIN	E-7-4	COVER, DUAL GRIP	FOP-1-2-8
CABLE ASSY., SWITCH PANEL.....	FOP-13-3	CLIP, SENSOR HOSE.....	E-1-14	COVER, FLUSH VALVE.....	E-6-10-6
CABLE ASSY., SWITCH PANEL.....	FOP-13-3	CLIP, SHIFT WIRE	E-1-15	COVER, FR.....	F-8-6
CABLE ASSY., SWITCH PANEL.....	FOP-13-3	CLIP, TUBE.....	E-6-10-1	COVER, FR. SEPARATE.....	F-3-20-9
CABLE COMP. A, COVER LOCK.....	F-8-10-12	CLIP, TUBE.....	E-18-1-1	COVER, GEAR CASE	F-3-5
CABLE COMP. B, COVER LOCK.....	F-8-10-13	CLIP, TUBE.....	E-18-10-11	COVER, GRIP.....	FOP-1-4-4
CABLE COMP., THROTTLE	E-15-10	CLIP, TUBE(B10).....	E-6-10-32	COVER, IMPELLER.....	F-4-4
CABLE SET, PANEL INDICATOR	FOP-13-1	CLIP, TUBE(B12).....	E-1-22	COVER, L. CAMSHAFT THRUST.....	E-9-8

COVER, L. CYLINDER HEAD	E-1-3	GASKET, INTAKE MANIFOLD	E-14-15	HOUSING COMP., REMOTE CONTROL ..	FOP-1-13
COVER, L. GRIP	FOP-1-5	GASKET, INTAKE MANIFOLD	E-14-10-1	HOUSING COMP., REMOTE CONTROL ..	FOP-1-2-14
COVER, L. GRIP	FOP-1-2-6	GASKET, L. EX. MANIFOLD	E-4-5	HOUSING COMP., REMOTE CONTROL ..	FOP-1-6-10
COVER, L. LOWER MOUNTING(L)	F-3-20-27	GASKET, MOUNT CASE	E-6-20-1	HOUSING COMP., REMOTE CONTROL ..	FOP-1-6-11
COVER, L. LOWER MOUNTING(XL)	F-3-20-27	GASKET, R. EX. MANIFOLD	E-4-3	HOUSING, IMPELLER	F-4-2
COVER, L. RELIEF VALVE	E-6-10-17	GASKET, RR. INJECTOR BASE	E-14-14	HOUSING, LEAD	FOP-1-14
COVER, L. WATER JACKET	E-6-10-21	GASKET, THROTTLE BODY	E-15-2	HOUSING, LEAD	FOP-1-2-15
COVER, LOCK ARM	FOP-1-4-6	GAUGE COMP., OIL LEVEL	E-3-15	HOUSING, LOWER CENTER MOUNTING F-10-17	
COVER, NEUTRAL SWITCH	F-2-20	GEAR ASSY., INTERNAL	E-21-16	HOUSING, LOWER CENTER MOUNTING F-10-17	
COVER, OIL LEVEL GAUGE	E-3-16	GEAR ASSY., INTERNAL	E-21-24	HOUSING, LOWER MOUNTING	F-3-20-16
COVER, OIL PUMP	E-5-4	GEAR ASSY., PLANETARY	E-21-4	HOUSING, REMOTE CONTROL BOX(C) ..	FOP-1-6-12
COVER, PLUG MAINTENANCE	F-3-20-19	GEAR COMP., BEVEL(FORWARD)	F-5-8	HOUSING, UPPER MOUNTING	F-10-14
COVER, PUMP	E-18-28	GEAR COMP., BEVEL(REVERSE)	F-5-1-9	HOUSING, WATER PUMP	F-4-6
COVER, PUMP(A)	E-18-29	GEAR, BEVEL(FORWARD)(24T)	F-5-1-8	<I>	
COVER, R. CAMSHAFT THRUST	E-9-7	GEAR, BEVEL(REVERSE)(24T)	F-5-9	IDLER B, TIMING BELT	E-13-15
COVER, R. CYLINDER HEAD	E-1-1	GEAR, PINION	F-4-16	IDLER, TIMING BELT(KOYO SEIKO)	E-13-12
COVER, R. LOWER MOUNTING(L)	F-3-20-26	GEAR, PINION(COUNTER ROTATION) ..	F-4-16	IMPELLER, PUMP	F-4-1
COVER, R. LOWER MOUNTING(XL)	F-3-20-26	GENERATOR ASSY., A.C.	E-19-14	INJECTOR ASSY., FUEL	E-14-1
COVER, R. RELIEF VALVE	E-6-10-13	GENERATOR ASSY., A.C.	E-19-14	INSULATOR	E-18-31
COVER, R. WATER JACKET	E-6-10-19	GRIP, REMOTE CONTROL HANDLE	FOP-1-6	INSULATOR COMP.	E-18-30
COVER, STARTER TERMINAL	F-7-10-4	GRIP, REMOTE CONTROL HANDLE	FOP-1-2-7	<J>	
COVER, THERMOSTAT	E-4-13	GRIP, REMOTE CONTROL HANDLE	FOP-1-6-4	JOINT A, VACUUM TUBE	E-14-10-7
COVER, UPPER MOUNT	F-10-18	GRIP, SCREW DRIVER	F-13-16	JOINT ASSY (INLET)	F-6-2
COVER, WATER JACKET	E-18-12	GROMMET A, UNDER CASE	F-8-10-3	JOINT ASSY (OUTLET)	F-6-3
CRANKCASE COMP.	E-3-10-1	GROMMET, AIR CLEANER CASE	F-8-1	JOINT ASSY., OIL PIPE	E-3-12
CRANKSHAFT COMP.	E-7-9	GROMMET, ELECTRONIC PARTS CASE ..	E-20-1	JOINT B, WASHER TUBE(MITSUBA)	F-10-8
CUP	E-18-1-16	GROMMET, ELECTRONIC PARTS CASE ..	E-20-10-2	JOINT SET	E-18-6
CUP SET, WATER SEPARATOR	E-18-1-5	GROMMET, ELECTRONIC PARTS CASE ..	F-7-10-1	JOINT, DRIVE	F-11-16
<D>		GROMMET, EXTENSION CASE	F-4-13	JOINT, FUEL PIPE	E-14-8
DAMPER, HOOK	F-8-5	GROMMET, GEAR CASE	F-3-4	JOINT, FUEL PIPE	E-18-38
DOWEL PIN, 10X12	E-14-30	GROMMET, L. IDLE PORT	F-3-20-29	JOINT, FUEL RETURN	E-18-10-12
DOWEL PIN, 13X37	E-3-41	GROMMET, POWER TILT SWITCH	F-3-20-8	JOINT, FUEL TUBE	F-8-20-5
DOWEL PIN, 13X37	E-3-41	GROMMET, R. IDLE PORT	F-3-20-28	JOINT, WATER HOSE	F-3-20-2
DOWEL PIN, 14X15	E-5-15	GROMMET, RELAY	F-7-10-10	<K>	
DOWEL PIN, 14X15	E-6-20-9	GROMMET, RELAY BRACKET	E-20-10-6	KEY, 4.5X24	E-13-28
DOWEL PIN, 16X22	E-9-15	GROMMET, SILENCER	E-15-9	KEY, SPECIAL	E-13-29
DOWEL PIN, 5X8	E-3-54	GROMMET, TIMING BELT COVER	E-13-10-1	KEY, WOODRUFF	F-4-23
DOWEL PIN, 6X10	E-3-53	GROMMET, UNDER CASE	E-15-18	KIT, CABLE(NMEA)(6FT)	FOP-10-1
DOWEL PIN, 6X10	E-9-14	GROMMET, UNDER CASE(C)	F-3-20-7	<L>	
DOWEL PIN, 6X10	E-9-18	GROMMET, UNDER CASE(C)	F-11-10	LABEL, FUSE & OIL CAUTION	F-12-2
DOWEL PIN, 6X10	E-13-30	GROMMET, VAPOR SEPARATOR	E-18-34	LABEL, WARNING OPERATOR	F-12-8
DOWEL PIN, 6X10	E-15-28	GROMMET, VAPOR SEPARATOR	E-18-35	LAMP ASSY., INDICATION	FOP-1-6-44
DOWEL PIN, 6X10	F-3-24	GROMMET, WATER CHECK	F-3-20-30	LAMP ASSY., INDICATION(4-LED)	FOP-7-14
DOWEL PIN, 6X10	F-3-24	GROMMET, WATER TUBE	E-6-6	LAMP ASSY., INDICATION(4-LED)	FOP-7-1-11
DOWEL PIN, 6X10	F-3-20-50	GUIDE COMP., ROD	F-11-18	LEVER SET	E-21-18
DOWEL PIN, 6X10	F-4-24	GUIDE, EX. VALVE(OS)	E-9-3	LEVER, COVER LOCK	F-8-10-14
DOWEL PIN, 8X14	E-3-10-18	GUIDE, IN. VALVE(OS)	E-9-2	LEVER, HANDLE LOCK	FOP-1-6-3
DRIVER 3, MINUS SCREW(NO.2)	F-13-15	GUIDE, L. EX.	E-6-10-5	LEVER, IDLE	FOP-1-6-22
<E>		GUIDE, R. EX.	E-6-10-2	LINER, PUMP	F-4-3
END COVER, RR.	E-19-17	<H>		LINER, SWIVEL CASE	F-10-22
END, NIPPLE	F-10-10	HANDLE, REMOTE CONTROL	FOP-1-4	LOCK ASSY., FR.	F-8-10-22
E-RING, 10MM	F-4-34	HANDLE, REMOTE CONTROL	FOP-1-2-5	LOCK COMP., SIDE	F-8-10-23
E-RING, 12MM	F-2-43	HANDLE, REMOTE CONTROL	FOP-1-4-3	LOW PERMEATION HOSE L=1600	F-6-7
E-RING, 15MM	F-11-51	HANDLE, REMOTE CONTROL	FOP-1-6-2	LOW PERMEATION HOSE L=700	F-6-6
E-RING, 3MM	FOP-1-6-78	HANGER, ENGINE	E-3-10-2	<M>	
E-RING, 4MM	F-2-42	HANGER, ENGINE	E-9-1	MANIFOLD COMP., INTAKE	E-14-10-3
E-RING, 4MM	FOP-1-6-79	HARNESS ASSY., MAIN WIRE	F-7-1	MANIFOLD COMP., L. EX.	E-4-4
E-RING, 6MM	F-8-10-39	HARNESS ASSY., SWITCH PANEL	FOP-7-6	MANIFOLD COMP., R. EX.	E-4-2
E-RING, 6MM	FOP-1-36	HARNESS ASSY., SWITCH PANEL	FOP-7-1-4	MARK, FAST IDLE	FOP-1-6-49
E-RING, 6MM	FOP-1-2-41	HARNESS COMP.	E-18-41	MARK, FLUSH MOUNT	FOP-1-4-19
E-RING, 6MM	FOP-1-4-28	HEAD COMP., CYLINDER	E-9-5	MARK, FR. EMBLEM(TOYOTA)	F-12-12
E-RING, 7MM	FOP-1-6-80	HOLDER	E-18-11	MARK, HANDLE FLUSH MOUNT	FOP-1-4-18
EXTENSION, OIL FILLER	E-3-10-6	HOLDER ASSY., BEARING	F-5-1-37	MARK, L. SIDE STRIPE	F-12-11
<F>		HOLDER ASSY., BRUSH	E-19-1	MARK, R. SIDE STRIPE	F-12-4
FAN, COOLING	E-13-16	HOLDER COMP., BRUSH	E-21-9	MARK, REMOTE CONTROL(DUAL)	FOP-1-2-24
FILTER	E-18-1-12	HOLDER COMP., BRUSH	E-21-9	MARK, REMOTE CONTROL(SINGLE)	FOP-1-21
FILTER ASSY., SPOOL VALVE	E-3-19	HOLDER, BEARING	F-5-12	MARK, RR.(BFT250)	F-12-3
FILTER B	F-11-19	HOLDER, NEUTRAL LOCK	FOP-1-4-14	MESH, FUEL FILTER	E-14-4
FLOAT	E-18-1-15	HOLDER, OIL FILTER	E-3-10-7	METAL COMP., ANODE	F-3-9
FLOAT SET	E-18-2	HOLDER, PROPELLER SHAFT	F-5-11	METAL KIT, ANODE	F-10-1
FLYWHEEL COMP.	E-5-11	HOLDER, PROPELLER SHAFT	F-5-1-11	METAL, ANODE	E-3-4
FRAME COMP., MOUNTING(L)	F-10-13	HOLDER, ROD(A)	F-8-20-3	METAL, ANODE	E-3-5
FRAME COMP., MOUNTING(XL)	F-10-13	HOLDER, SEAL	F-2-17	METAL, ANODE	E-4-1
FUSE, BLOCK(150A)	F-7-20-3	HOLDER, SHIFT ROD	F-4-12	METER LEAD WIRE	FOP-3-6
FUSE, MINI(10A)	F-7-20-9	HOLDER, STRIKER	F-8-10-21	MOTION COMP., LOST	E-9-10
FUSE, MINI(15A)	F-7-20-10	HOSE A, PRESSURE REGULATOR	E-18-10-13	MOTOR ASSY., POWER TILT	F-11-5
FUSE, MINI(30A)	F-7-20-11	HOSE B, PRESSURE REGULATOR	E-18-10-14	MOTOR ASSY., STARTER	E-21-1
<G>		HOSE COMP., FUEL	E-14-9	MOUNT COMP., LOWER RUBBER	F-3-20-17
GASKET B, IMPELLER	F-4-5	HOSE COMP., FUEL JOINT	E-14-10	MOUNT COMP., UPPER RUBBER	F-10-15
GASKET COMP., CYLINDER HEAD	E-9-9	HOUSING ASSY., L. INNER	FOP-1-3	<N>	
GASKET, EAC VALVE	E-15-5	HOUSING ASSY., L. INNER	FOP-1-2-3	NIPPLE, GREASE	F-10-68
GASKET, EX. PIPE	E-6-4	HOUSING ASSY., R. INNER	FOP-1-2-4	NIPPLE, SENSOR	F-10-11
GASKET, FR. INJECTOR BASE	E-14-12	HOUSING ASSY., R. INNER	FOP-1-4-2	NUT, CASTLE, 18MM	F-5-14

NUT, CASTLE, 18MM	F-5-1-14	O-RING, 25X2.4(NOK)	E-3-49	PLATE COMP., SLIDING	FOP-1-6-15
NUT, FLANGE CAP, 10MM	E-3-10-16	O-RING, 26.2X2.4(NOK)	E-3-46	PLATE SET, TRANSSOM(5.5MM FLAT)	FOP-9-2
NUT, FLANGE, 10MM	F-10-51	O-RING, 26.9X2.4(NOK)	F-2-40	PLATE SET, TRIM ADJUST.	FOP-9-1
NUT, FLANGE, 12MM	F-10-48	O-RING, 26X2.7	E-3-10-17	PLATE, CABLE CLAMP	FOP-1-11
NUT, FLANGE, 5MM	FOP-6-2	O-RING, 3.5X35.7	F-11-45	PLATE, CABLE CLAMP	FOP-1-2-12
NUT, FLANGE, 5MM	FOP-7-2	O-RING, 3.5X38.7	F-11-42	PLATE, DWELL	FOP-1-15
NUT, FLANGE, 5MM	FOP-7-1-2	O-RING, 3.5X41.7	F-11-46	PLATE, DWELL	FOP-1-2-16
NUT, FLANGE, 8MM	E-14-25	O-RING, 31.5X2.4(ARAI)	E-4-25	PLATE, DWELL	FOP-1-4-10
NUT, FLANGE, 8MM	E-14-10-19	O-RING, 33.5X2	E-6-10-38	PLATE, HANDLE	FOP-1-10
NUT, FLANGE, 8MM	E-19-25	O-RING, 37X2.4(ARAI)	E-1-24	PLATE, HANDLE	FOP-1-2-11
NUT, HEX., 12MM	F-10-72	O-RING, 48.5X2.4	E-9-17	PLATE, INTAKE MANIFOLD CENTER	E-14-10-4
NUT, HEX., 16MM	F-3-20-41	O-RING, 49.4X3.1	E-6-10-37	PLATE, L. TIMING BELT COVER	E-13-10-4
NUT, HEX., 16MM	FOP-1-6-54	O-RING, 59.4X3.1	E-21-23	PLATE, LEVER SETTING	FOP-1-6-8
NUT, HEX., 16MM	FOP-7-19	O-RING, 6.9X1.45	F-3-25	PLATE, LOCK	F-2-13
NUT, HEX., 16MM	FOP-7-1-16	O-RING, 6.9X1.45	FOP-12-6	PLATE, R. TIMING BELT COVER	E-13-10-5
NUT, HEX., 18MM	F-4-20	O-RING, 65.4X2.4	F-4-32	PLATE, REMOTE CONTROL	FOP-1-6-47
NUT, HEX., 20MM	F-2-28	O-RING, 66.4X3.1	E-4-23	PLATE, REMOTE CONTROL CABLE	F-2-2
NUT, HEX., 5MM	FOP-1-29	O-RING, 7.45X3.61(NOK)	E-14-29	PLATE, RUBBER SETTING	F-3-1
NUT, HEX., 5MM	FOP-1-35	O-RING, 7.47X3.6	E-14-28	PLATE, SHIFT	F-5-7
NUT, HEX., 5MM	FOP-1-2-33	O-RING, 7.8X1.9(ARAI)	E-14-27	PLATE, SHIFT	F-5-1-7
NUT, HEX., 5MM	FOP-1-2-34	O-RING, 7.8X1.9(ARAI)	E-18-55	PLATE, SPRING SETTING	FOP-1-6-23
NUT, HEX., 5MM	FOP-1-2-40	O-RING, 8.8X2.4	E-3-11	PLATE, STARTER CABLE	F-8-10-2
NUT, HEX., 5MM	FOP-1-6-77	O-RING, 9.5X1.9	E-3-44	PLATE, TIMING BELT GUIDE	E-13-2
NUT, HEX., 6MM	E-19-27	O-RING, 9.5X1.9	E-4-24	PLATE, WATER TUBE	E-6-7
NUT, HEX., 6MM	F-8-18	O-RING, PRESSURE REGULATOR	E-14-7	PLATE, WINKER BUZZER	FOP-1-6-45
NUT, HEX., 6MM	FOP-1-4-25	O-RING, TIMING BELT TENSIONER	E-13-11	PLATE, WINKER BUZZER	FOP-7-15
NUT, HEX., 6MM	FOP-1-6-55	O-RING, WATER PUMP	F-4-30	PLATE, WINKER BUZZER	FOP-7-1-12
NUT, HEX., 6MM	FOP-1-6-76	O-RING, WATER PUMP HOUSING	F-4-31	PLUG, BLIND, 20MM	F-8-19
NUT, LOCK, 68MM	F-4-19	<P>		PLUG, FUEL TUBE	F-8-20-2
NUT, PULLEY LOCK	E-19-7	PACKING	E-21-17	PLUG, HOLE, 5MM	F-3-20-54
NUT, SELF-LOCK(25X2.0)	F-10-50	PACKING	F-11-49	PLUG, INNER CONNECTOR	FOP-1-6-35
NUT, SELF-LOCK(3/8-24UNF)	F-10-52	PACKING, DUAL	FOP-1-2-19	PLUG, INNER CONNECTOR	FOP-7-7
NUT, SELF-LOCK(7/8-14UNF)	F-10-49	PACKING, FLASH VALVE	E-6-10-16	PLUG, INNER CONNECTOR	FOP-7-1-5
NUT, SELF-LOCK, 10MM	F-3-20	PACKING, HEAD COVER	E-1-2	PLUG, OUTER CONNECTOR	FOP-1-6-36
NUT, SELF-LOCK, 12MM	F-3-21	PACKING, INTAKE MANIFOLD UP	E-14-10-6	PLUG, OUTER CONNECTOR	FOP-7-8
NUT, SELF-LOCK, 14MM	F-3-20-42	PACKING, OIL HOLE	E-3-9	PLUG, OUTER CONNECTOR	FOP-7-1-6
NUT, SELF-LOCK, 5MM	F-3-19	PACKING, OIL LEVEL GAUGE	E-3-17	PLUG, SPARK(IZFR6K-11E)(NGK)	E-20-3
NUT, SELF-LOCK, 6MM	F-3-18	PACKING, OIL PAN	E-6-2	PLUG, SPARK(ZFR6K-11E)(NGK)	E-20-3
NUT, SELF-LOCK, 6MM	F-10-47	PACKING, OIL PUMP BODY	E-5-2	PRIMER BULB	F-6-4
NUT, TAPPET ADJUSTING	E-9-10-20	PACKING, RELIEF VALVE	E-6-10-15	PRIMER BULB ASSY	F-6-1
NUT, WATER MOUTH	F-3-20-1	PACKING, RELIEF VALVE COVER	E-6-10-14	PROPELLER COMP., THREE BLADES	FOP-8-1
NUT-WASHER, 5MM	E-19-26	PACKING, SINGLE	FOP-1-18	PROPELLER COMP., THREE BLADES	FOP-8-1
NUT-WASHER, 6MM	F-7-10-18	PACKING, THROTTLE BODY	E-14-10-2	PROPELLER COMP., THREE BLADES	FOP-8-1
NUT-WASHER, 8MM	F-7-10-17	PACKING, WATER JACKET COVER	E-6-10-20	PROPELLER COMP., THREE BLADES	FOP-8-1
<O>		PAN, OIL	E-6-1	PROPELLER COMP., THREE BLADES	FOP-8-1
OIL SEAL	F-11-39	PANEL ASSY., INDICATOR(4-LED)	FOP-7-13	PROPELLER COMP., THREE BLADES	FOP-8-1
OIL SEAL, 14X26X6	F-2-38	PANEL ASSY., SWITCH	FOP-7-3	PROPELLER COMP., THREE BLADES	FOP-8-1
OIL SEAL, 31X46X7(NOK)	E-5-17	PANEL KIT, SWITCH(4-LED)	FOP-7-1-1	PROPELLER COMP., THREE BLADES	FOP-8-1
OIL SEAL, 39.5X52X6(ARAI)	F-10-69	PANEL KIT, SWITCH(B)(4-LED)	FOP-7-1	PROPELLER COMP., THREE BLADES	FOP-8-1
OIL SEAL, 39X53X8(NOK)	E-9-16	PANEL, CONTROL	FOP-7-4	PROPELLER COMP., THREE BLADES	FOP-8-1
OIL SEAL, 41X66X8	E-3-42	PANEL, CONTROL	FOP-7-5	PROPELLER COMP., THREE BLADES	FOP-8-1
OIL SEAL, 46X60X9	E-5-16	PANEL, CONTROL	FOP-7-1-3	PROPELLER COMP., THREE BLADES	FOP-8-1
OIL SEAL, 80X98X10(ARAI)	E-3-43	PIN B, DOWEL, 10X16	E-5-20	PROPELLER COMP., THREE BLADES	FOP-8-1
ORIFICE ASSY., OIL CONTROL	E-3-10	PIN B, DOWEL, 10X16	E-6-20-10	PROPELLER COMP., THREE BLADES	FOP-8-1
O-RING	E-14-10-13	PIN, 6X6	FOP-1-6-64	PULLER, MINI FUSE	F-7-20-4
O-RING	E-15-25	PIN, LINK	F-2-36	PULLEY	E-19-6
O-RING	E-18-13	PIN, LOCK, 6MM	FOP-1-6-63	PULLEY COMP., L. TIMING BELT	E-13-5
O-RING	E-18-14	PIN, PISTON	E-7-3	PULLEY COMP., R. TIMING BELT	E-13-4
O-RING	E-18-15	PIN, SHIFTER, 8X50	F-5-2	PULLEY, CRANKSHAFT	E-13-3
O-RING	E-18-16	PIN, SHIFTER, 8X50	F-5-1-2	PULLEY, TIMING BELT DRIVE	E-13-1
O-RING	E-18-17	PIN, SNAP, 6MM	F-2-35	PUMP ASSY.	F-11-14
O-RING	E-18-18	PIN, SPLIT, 4.0	F-5-22	PUMP ASSY., FUEL	E-1-7
O-RING	E-18-19	PIN, SPLIT, 4.0	F-5-1-23	PUMP ASSY., OIL	E-5-1
O-RING	E-18-1-20	PIN, SPLIT, 4.0	FOP-12-2	PUMP KIT, IMPELLER	F-4-35
O-RING	E-18-1-21	PIN, SPRING, 3X20	F-10-73	PUMP KIT, IMPELLER	F-4-36
O-RING	E-18-1-23	PIN, UPPER CYLINDER	F-11-28	PUMP UNIT SET A, FUEL	E-18-7
O-RING	F-4-29	PIN, UPPER CYLINDER	F-11-28	PUMP UNIT SET B, FUEL	E-18-9
O-RING	FOP-12-7	PIN, UPPER CYLINDER	F-11-28	PUMP UNIT, FUEL	E-18-37
O-RING SET, 3.5X31.7	F-11-47	PIN, VERTICAL SHAFT	E-13-19	<R>	
O-RING, 1.8X69.6	F-11-41	PIPE COMP., L. EX.	E-6-5	RECEIVER, THRUST	F-10-30
O-RING, 1.8X7.7	F-11-43	PIPE COMP., L. FUEL	E-14-5	RECTIFIER ASSY.	E-19-19
O-RING, 1.9X11	F-11-44	PIPE COMP., R. EX.	E-6-3	REGULATOR ASSY.	E-19-20
O-RING, 121X3.1	F-5-30	PIPE, FUEL	E-18-10-7	REGULATOR ASSY., PRESSURE	E-14-6
O-RING, 121X3.1	F-5-1-33	PIPE, HARNESS GUIDE	FOP-1-6-32	RELAY ASSY., FUEL PUMP(DENSO)	F-7-20-5
O-RING, 121X3.1	FOP-12-8	PIPE, R. FUEL	E-14-3	RELAY ASSY., POWER TILT	F-7-10-9
O-RING, 13X1.5(ARAI)	E-3-48	PISTON	E-7-2	RELAY ASSY., POWER(12V-20A)	F-7-20-6
O-RING, 15.54X2.26	F-10-70	PISTON COMP., FREE	F-11-24	RETAINER, SPRING	E-7-13
O-RING, 16.3X3.5	E-3-47	PISTON(0.25)	E-7-2	RETAINER, VALVE SPRING	E-9-10-15
O-RING, 16MM	E-6-10-36	PIVOT, SHIFT	F-2-12	RING	E-18-32
O-RING, 18.3X3.5	E-3-45	PIVOT, SHIFT	FOP-1-6-17	RING SET, PISTON(0.25)(RIKEN)	E-7-1
O-RING, 2.0X70.5	F-11-40	PLATE	E-18-10	RING SET, PISTON(STD.)(RIKEN)	E-7-1
O-RING, 20.6X2.6	E-5-18	PLATE	E-18-45	RING, BACK UP	F-11-20
O-RING, 23.5X2	E-6-10-39	PLATE	E-18-1-22	RING, CROSS PIN	F-5-3

RING, CROSS PIN.....	F-5-1-3	SCREW, SPECIAL, 6X35.....	F-3-20-34	SHIM B, THRUST(2.80).....	F-5-19
RING, INNER(15X20X23).....	F-2-37	SCREW, TAPPET ADJUSTING.....	E-9-10-12	SHIM C, BEVEL(0.30).....	F-5-18
RING, SETTING(39).....	F-5-21	SCREW, TAPPING, 4X10.....	F-8-17	SHIM C, BEVEL(0.30).....	F-5-1-18
RING, STOPPER.....	F-2-7	SCREW, TAPPING, 5X10.....	FOP-1-6-72	SHIM C, BEVEL(0.30).....	F-5-1-19
RING, WATER TUBE SEAL.....	F-4-8	SCREW, TAPPING, 5X12.....	FOP-1-6-73	SHIM C, GEAR(0.30).....	F-4-22
ROD COMP. A, SHIFT(L).....	F-4-11	SCREW, TAPPING, 5X25.....	FOP-1-6-75	SHIM C, THRUST(2.85).....	F-5-19
ROD COMP. A, SHIFT(XL).....	F-4-11	SCREW, TAPPING, 5X8.....	FOP-1-6-71	SHIM D, BEVEL(0.50).....	F-5-18
ROD COMP. A, SHIFT(XXL).....	F-4-11	SCREW, TAPPING, 6X16.....	FOP-1-6-74	SHIM D, BEVEL(0.50).....	F-5-1-18
ROD COMP., CONNECTING.....	E-7-7	SCREW, TAPPING, 6X30.....	FOP-1-4-24	SHIM D, BEVEL(0.50).....	F-5-1-19
ROD COMP., PISTON.....	F-11-22	SCREW, TRUSS, 4X12.....	FOP-1-4-21	SHIM D, GEAR(0.50).....	F-4-22
ROD COMP., PISTON(B).....	F-11-15	SCREW, WASHER.....	E-18-22	SHIM D, THRUST(2.90).....	F-5-19
ROD COMP., SHIFT.....	F-4-9	SCREW, WAVE WASHER.....	E-19-12	SHIM E, THRUST(2.95).....	F-5-19
ROD COMP., SHIFT.....	F-4-9	SCREW, WAVE WASHER.....	E-19-13	SHIM F, THRUST(3.00).....	F-5-19
ROD KIT, STEERING.....	F-10-3	SCREW-WASHER.....	E-18-20	SHIM G, THRUST(3.05).....	F-5-19
ROD, LINK.....	F-2-10	SCREW-WASHER.....	E-19-11	SHIM H, THRUST(3.10).....	F-5-19
ROLLER, 3X13.8.....	F-5-28	SCREW-WASHER, 5X15.....	F-7-20-8	SHIM I, THRUST(2.70).....	F-5-19
ROLLER, 3X13.8.....	F-5-1-31	SCREW-WASHER, 6X40.....	F-3-20-40	SHIM J, THRUST(2.65).....	F-5-19
ROLLER, 5X8.....	E-5-24	SEAL A, COVER UNDER.....	F-3-20-22	SHIM K, THRUST(2.60).....	F-5-19
ROLLER, CLICK.....	FOP-1-6-65	SEAL A, VALVE STEM(NOK).....	E-9-4	SHIM L, THRUST(2.55).....	F-5-19
ROTOR ASSY.....	E-19-15	SEAL B, COVER UNDER.....	F-3-20-23	SHIM M, THRUST(2.50).....	F-5-19
ROTOR COMP.....	E-21-2	SEAL B, EX. GUIDE.....	E-6-10-4	SLIDER COMP., SHIFT.....	F-5-4
ROTOR, OIL PUMP INNER.....	E-5-5	SEAL B, VALVE STEM(NOK).....	E-9-6	SLIDER COMP., SHIFT.....	F-5-1-4
ROTOR, OIL PUMP OUTER.....	E-5-6	SEAL C, UNDER COVER.....	F-3-20-25	SLIDER, SHIFT.....	F-5-5
RUBBER C, STAND STOPPER.....	F-3-20-55	SEAL D, UNDER COVER.....	F-8-10-25	SLIDER, SHIFT.....	F-5-1-5
RUBBER, DRAIN PLUG.....	F-3-20-11	SEAL, ENGINE COVER.....	F-8-3	SLINGER, OIL.....	F-4-15
RUBBER, FR. CARRIER CUSHION.....	F-8-10-11	SEAL, EXHAUST GUIDE.....	E-6-10-3	SPACER KIT, REMOTE CONTROL BOX.....	FOP-1-2
RUBBER, MOUNT CASE SEAL.....	E-6-10-23	SEAL, L. IDOL PORT.....	F-3-20-15	SPACER KIT, REMOTE CONTROL BOX.....	FOP-1-2-2
RUBBER, OIL PUMP.....	E-5-3	SEAL, R. IDOL PORT.....	F-3-20-14	SPACER, CABLE CLAMP.....	FOP-1-17
RUBBER, RING.....	E-4-11	SEAL, SPARK PLUG TUBE(NOK).....	E-1-4	SPACER, CABLE CLAMP.....	FOP-1-2-18
RUBBER, STOPPER.....	F-8-10-10	SEAL, UPPER MOUNT COVER.....	F-10-19	SPACER, CABLE CLAMP.....	FOP-1-4-13
RUBBER, UPPER MOUNT STOPPER.....	F-10-16	SEAL, WATER.....	F-11-48	SPACER, CABLE CLAMP.....	FOP-1-6-33
<S>		SEAL, WATER(14X26X8).....	F-2-39	SPACER, CLICK SPRING.....	FOP-1-6-27
SCREEN COMP., FUEL STRAINER.....	E-18-39	SEAL, WATER, 12X21X6.....	F-4-28	SPACER, INTAKE MANIFOLD.....	E-14-16
SCREEN, L. WATER.....	F-3-7	SEAL, WATER, 12X21X6.....	FOP-12-5	SPACER, L. RELIEF VALVE.....	E-6-10-18
SCREEN, R. WATER.....	F-3-6	SEAL, WATER, 22X35X7.....	E-6-10-35	SPACER, NEUTRAL SWITCH.....	FOP-1-6-30
SCREW.....	E-3-51	SEAL, WATER, 26X42X7.....	F-4-27	SPACER, R. RELIEF VALVE.....	E-6-10-12
SCREW.....	E-3-52	SEAL, WATER, 26X42X7.....	FOP-12-3	SPACER, REMOTE CONTROL BOX.....	FOP-1-6-26
SCREW.....	E-19-9	SEAL, WATER, 30X45X7.....	F-5-29	SPACER, THERMOSTAT COVER.....	E-4-12
SCREW.....	E-19-10	SEAL, WATER, 30X45X7.....	F-5-1-32	SPACER, THROTTLE BODY.....	E-15-4
SCREW SET.....	E-15-1	SEAL, WATER, 30X45X7.....	FOP-12-4	SPRING COMP., CLICK.....	F-2-5
SCREW SET, DRAIN.....	E-18-5	SEAT, SPRING(250).....	E-7-14	SPRING COMP., CLICK.....	F-10-4
SCREW SET, DRAIN.....	E-18-1-34	SEAT, VALVE SPRING.....	E-9-10-16	SPRING COMP., TIMING BELT.....	E-13-9
SCREW, 6X95.....	FOP-1-6-53	SEAT, WATER MOUTH.....	F-3-20-3	SPRING, ACCELERATOR WHEEL.....	FOP-1-6-21
SCREW, FLAT, 5X12.....	FOP-1-6-52	SENSOR ASSY., AIR TEMP.....	E-15-16	SPRING, AIR FLOW TUBE.....	E-15-7
SCREW, FLAT, 5X55.....	F-3-11	SENSOR ASSY., CRANK.....	E-3-27	SPRING, CHOKE RETURN.....	FOP-1-6-25
SCREW, FLAT, 6X16.....	E-5-19	SENSOR ASSY., MAP.....	E-14-10-12	SPRING, CLICK ASSIST.....	F-2-6
SCREW, PAN.....	E-18-21	SENSOR ASSY., TRIM ANGLE.....	F-10-7	SPRING, CLICK ASSIST.....	F-10-5
SCREW, PAN, 4X10.....	FOP-1-26	SENSOR ASSY., WATER.....	E-3-26	SPRING, COVER LOCK HOOK.....	F-8-10-17
SCREW, PAN, 4X10.....	FOP-1-2-29	SENSOR ASSY., WATER.....	E-4-15	SPRING, EX. VALVE.....	E-9-10-14
SCREW, PAN, 5X10.....	FOP-1-23	SENSOR COMP., KNOCK.....	E-3-20	SPRING, FLUSH VALVE.....	E-6-10-8
SCREW, PAN, 5X10.....	FOP-1-2-26	SENSOR COMP., TDC1-TDC2.....	E-13-10-6	SPRING, LOCK ADJUSTER.....	F-8-7
SCREW, PAN, 5X10.....	FOP-1-6-70	SENSOR, OXYGEN.....	E-4-14	SPRING, LOCK LEVER RETURN.....	F-8-10-18
SCREW, PAN, 5X12.....	E-18-1-14	SEPARATOR ASSY., VAPOR.....	E-18-33	SPRING, MOTOR.....	F-11-9
SCREW, PAN, 5X16.....	FOP-1-22	SEPARATOR ASSY., WATER.....	E-18-1-4	SPRING, NEUTRAL LOCK ARM.....	FOP-1-4-7
SCREW, PAN, 5X16.....	FOP-1-2-25	SEPARATOR, EXTENSION.....	F-3-2	SPRING, RELIEF VALVE.....	E-5-9
SCREW, PAN, 5X16.....	FOP-1-4-20	SHAFT ASSY., CLUTCH.....	E-21-13	SPRING, RELIEF VALVE.....	E-6-10-11
SCREW, PAN, 5X18.....	FOP-1-25	SHAFT ASSY., CLUTCH.....	E-21-13	SPRING, REMOTE CONTROL HANDLE.....	FOP-1-6-7
SCREW, PAN, 5X18.....	FOP-1-2-28	SHAFT ASSY., GEAR.....	E-21-15	SPRING, ROCKER ARM.....	E-9-10-9
SCREW, PAN, 5X20.....	FOP-1-24	SHAFT ASSY., GEAR.....	E-21-15	SPRING, SET.....	E-18-40
SCREW, PAN, 5X20.....	FOP-1-2-27	SHAFT COMP., EX. ROCKER ARM.....	E-9-10-8	SPRING, SHIFT.....	F-5-6
SCREW, PAN, 5X30.....	FOP-1-4-22	SHAFT COMP., INTAKE ROCKER ARM.....	E-9-10-7	SPRING, SHIFT.....	F-5-1-6
SCREW, PAN, 5X40.....	FOP-1-28	SHAFT COMP., SHIFT(A).....	F-2-8	SPRING, SHIFT CLICK.....	FOP-1-6-24
SCREW, PAN, 5X40.....	FOP-1-2-31	SHAFT COMP., SHIFT(B).....	F-2-14	SPRING, SHIFT ROD.....	F-4-10
SCREW, PAN, 5X40.....	FOP-6-3	SHAFT, COVER OPEN.....	F-8-10-19	SPRING, SUPPORT.....	E-7-15
SCREW, PAN, 5X40.....	FOP-7-18	SHAFT, FR. LOCK.....	F-8-10-20	SPRING, VALVE(PINK).....	E-9-10-13
SCREW, PAN, 5X40.....	FOP-7-1-15	SHAFT, PROPELLER.....	F-5-10	STAY, A.C. GENERATOR.....	E-19-16
SCREW, PAN, 5X55.....	FOP-1-2-32	SHAFT, PROPELLER.....	F-5-1-10	STAY, FUEL PIPE A.....	E-18-1-2
SCREW, PAN, 5X65.....	FOP-1-34	SHAFT, THROTTLE BUTTON.....	FOP-1-4-9	STAY, FUEL PIPE B.....	E-18-1-3
SCREW, PAN, 5X65.....	FOP-1-2-39	SHAFT, TILTING.....	F-10-26	STAY, FUEL STRAINER.....	E-18-1-17
SCREW, PAN, 5X8.....	E-21-22	SHAFT, VERTICAL(L).....	F-4-14	STAY, PLATE.....	E-18-8
SCREW, PAN, 6X10.....	FOP-1-6-51	SHAFT, VERTICAL(XL).....	F-4-14	STAY, PLATE.....	E-18-36
SCREW, PAN, 6X18.....	E-4-26	SHAFT, VERTICAL(XXL).....	F-4-14	STAY, POWER TILT SWITCH.....	F-3-20-6
SCREW, PAN, 6X18.....	FOP-1-27	SHIFTER, CLUTCH.....	F-5-1	STAY, VACUUM TANK.....	E-18-44
SCREW, PAN, 6X18.....	FOP-1-2-30	SHIFTER, CLUTCH.....	F-5-1-1	STAY, WATER SEPARATOR.....	E-18-1-7
SCREW, PAN, 6X22.....	E-21-21	SHIM A, BEVEL(0.10).....	F-5-18	STOPPER SET, SLEEVE.....	E-21-8
SCREW, PAN, 6X22(SPECIAL).....	E-21-21	SHIM A, BEVEL(0.10).....	F-5-1-18	STOPPER SET, SLEEVE.....	E-21-8
SCREW, PAN, 6X25.....	F-3-20-40	SHIM A, BEVEL(0.10).....	F-5-1-19	STOPPER, LOWER MOUNT.....	F-3-20-18
SCREW, PAN, 6X35.....	FOP-1-4-23	SHIM A, GEAR(0.10).....	F-4-22	STOPPER, TILT.....	F-10-29
SCREW, PAN, 6X8.....	F-10-44	SHIM A, THRUST(2.75).....	F-5-19	STRAINER ASSY., FUEL.....	E-18-1-11
SCREW, PAN, 6X8.....	F-10-77	SHIM B, BEVEL(0.15).....	F-5-18	STRAINER COMP., OIL.....	E-5-7
SCREW, PAN, 6X8.....	F-11-35	SHIM B, BEVEL(0.15).....	F-5-1-18	STRAINER, FUEL PUMP.....	E-18-10-8
SCREW, RIVET, 5X10.....	F-10-45	SHIM B, BEVEL(0.15).....	F-5-1-19	SUB HARNESS ASSY., POWER.....	FOP-1-19
SCREW, RIVET, 5X10.....	F-11-36	SHIM B, GEAR(0.15).....	F-4-22	SUB HARNESS ASSY., POWER.....	FOP-1-2-20

SUB HARNESS ASSY., POWER	FOP-1-2-21	VALVE ASSY., EAC	E-15-17	WASHER, SEALING, 6MM	E-18-53
SUB HARNESS ASSY., POWER	FOP-1-4-16	VALVE ASSY., SPOOL	E-3-18	WASHER, SPRING, 5MM	FOP-6-5
SUSPENSION, COUPLER	F-7-2	VALVE COMP., MANUAL	F-11-25	WASHER, SPRING, 5MM	FOP-7-22
SUSPENSION, STRAINER	E-18-1-18	VALVE COMP., RESERVOIR	F-11-26	WASHER, SPRING, 5MM	FOP-7-1-19
SUSPENSION, STRAINER	E-18-1-19	VALVE SET, FLOAT	E-18-1	WASHER, THRUST	E-7-11
SUSPENSION, STRAINER	E-18-10-9	VALVE, CHECK	E-14-10-9	WASHER, THRUST BEARING	F-5-16
SWITCH ASSY., COMBINATION	FOP-1-6-38	VALVE, CHECK	E-18-10-18	WASHER, THRUST BEARING	F-5-1-16
SWITCH ASSY., COMBINATION	FOP-7-9	VALVE, EX	E-9-10-11	WASHER, THRUST, 14MM	F-2-29
SWITCH ASSY., COMBINATION	FOP-7-1-7	VALVE, FLASH	E-6-10-10	WASHER, THRUST, 34MM	F-10-56
SWITCH ASSY., EMERGENCY STOP	FOP-1-6-41	VALVE, IN	E-9-10-10	WASHER, THRUST, 48X74X3	F-5-1-21
SWITCH ASSY., EMERGENCY STOP	FOP-7-10	VALVE, RELIEF	E-5-8	WASHER, THRUST, 85X110X2	F-5-1-20
SWITCH ASSY., EMERGENCY STOP	FOP-7-1-8	VALVE, RELIEF	E-6-10-9	WASHER, UPPER MOUNTING STOPPER	F-10-57
SWITCH ASSY., MAGNET	E-21-12	<W>		WASHER, UPPER MOUNTING STOPPER	F-10-57
SWITCH ASSY., MAGNET	E-21-12	WASHER	F-2-32	WASHER, UPPER MOUNTING STOPPER	F-10-57
SWITCH ASSY., NEUTRAL	F-2-18	WASHER B, THRUST, 14MM	F-2-30	WASHER, WAVE, 10MM	F-8-10-34
SWITCH ASSY., OIL PRESSURE	E-3-24	WASHER KIT, THRUST(250)	E-7-16	WASHER, WAVE, 12MM	F-10-54
SWITCH ASSY., OIL PRESSURE	E-3-25	WASHER, 10MM	F-10-62	WASHER, WAVE, 26MM	F-10-55
SWITCH ASSY., POWER TILT	F-3-20-5	WASHER, 25MM	F-10-59	WASHER, WAVE, 40MM	F-10-53
SWITCH ASSY., POWER TRIM-TILT	FOP-1-20	WASHER, 28MM	FOP-1-6-62	WASHER, WAVE, 8MM	F-8-10-33
SWITCH ASSY., POWER TRIM-TILT	FOP-1-2-22	WASHER, 30MM	F-3-20-43	WHEEL, ACCELERATOR	FOP-1-6-20
SWITCH ASSY., POWER TRIM-TILT	FOP-1-2-23	WASHER, 6MM	FOP-1-6-60	WHEEL, CONTROL	FOP-1-6-13
SWITCH ASSY., POWER TRIM-TILT	FOP-1-4-17	WASHER, 7/8INCH	F-10-58	WIRE, LEAD(1.5X116MM)	F-10-9
SWITCH ASSY., POWER TRIM-TILT	FOP-1-6-39	WASHER, AIR CLEANER COVER	F-2-1	WIRE, LEAD(1.5X116MM)	F-11-11
SWITCH KIT, LIGHT	FOP-6-1	WASHER, CONICAL SPRING(5)	E-14-10-11	WRENCH, BOX(10MM)	F-13-14
<T>		WASHER, DRAIN PLUG, 12MM	E-6-13	WRENCH, EYE, 19MM	F-13-12
TAB, TRIM	F-3-8	WASHER, LOCK, 5MM	FOP-1-30	WRENCH, HEX., 6MM	F-13-7
TACHOMETER HOUR METER (BLACK)	FOP-3-4	WASHER, LOCK, 5MM	FOP-1-2-35	WRENCH, PLUG	F-13-6
TANK COMP., VACUUM	E-18-43	WASHER, LOCK, 5MM	FOP-1-4-26	<Y>	
TANK, OIL	F-11-29	WASHER, LOCK, 6MM	FOP-1-32	YOKE ASSY.	F-11-8
TENSIONER COMP., TIMING BELT	E-13-7	WASHER, LOCK, 6MM	FOP-1-2-37	YOKE COMP.	E-21-5
TERMINAL, CABLE	FOP-1-16	WASHER, PIVOT	F-2-4		
TERMINAL, CABLE	FOP-1-2-17	WASHER, PLAIN	E-18-24		
TERMINAL, CABLE	FOP-1-4-12	WASHER, PLAIN	E-18-25		
THERMOSTAT ASSY.	E-4-10	WASHER, PLAIN, 10MM	E-6-20-8		
THROTTLE BODY ASSY.	E-15-3	WASHER, PLAIN, 10MM	F-3-23		
TIE, CABLE	FOP-10-2	WASHER, PLAIN, 10MM	F-3-20-46		
TIE, CABLE(NATURAL)(2.4X92)	FOP-1-6-37	WASHER, PLAIN, 10MM	F-8-10-32		
TIE, CABLE(NATURAL)(2.4X92)	FOP-13-4	WASHER, PLAIN, 10MM	F-10-60		
T-JOINT	E-1-10	WASHER, PLAIN, 12MM	E-6-20-7		
T-JOINT	E-18-10-17	WASHER, PLAIN, 12MM	F-3-22		
TRIM METER ASSY (BLACK)	FOP-3-1	WASHER, PLAIN, 12MM	F-3-20-45		
TRIM-TILT ASSY., POWER	F-11-13	WASHER, PLAIN, 12MM	F-4-21		
TUBE A, AIR VENT	E-18-10-4	WASHER, PLAIN, 12MM	F-5-20		
TUBE B, AIR VENT	E-18-10-5	WASHER, PLAIN, 12MM	F-5-1-22		
TUBE B, BREATHER	E-1-26	WASHER, PLAIN, 12MM	F-8-15		
TUBE C, BREATHER	E-1-27	WASHER, PLAIN, 12MM	F-10-63		
TUBE COMP. A, BREATHER	E-1-25	WASHER, PLAIN, 12MM	F-10-64		
TUBE COMP. A, FUEL	F-8-20-1	WASHER, PLAIN, 14MM	F-3-20-44		
TUBE COMP. B, FUEL	E-18-1-8	WASHER, PLAIN, 4MM	FOP-1-6-56		
TUBE COMP. D, FUEL	E-18-1-9	WASHER, PLAIN, 5MM	FOP-1-31		
TUBE COMP. E, FUEL	E-18-1-10	WASHER, PLAIN, 5MM	FOP-1-33		
TUBE COMP. G, FUEL	E-1-9	WASHER, PLAIN, 5MM	FOP-1-2-36		
TUBE COMP., AIR VENT	E-18-10-6	WASHER, PLAIN, 5MM	FOP-1-2-38		
TUBE COMP., FUEL(C)	E-1-8	WASHER, PLAIN, 5MM	FOP-1-6-57		
TUBE KIT, SPEED SENSOR	F-10-2	WASHER, PLAIN, 5MM	FOP-1-6-58		
TUBE, 5X200	F-10-74	WASHER, PLAIN, 5MM	FOP-6-4		
TUBE, 5X950	F-10-75	WASHER, PLAIN, 5MM	FOP-7-21		
TUBE, CHECK VALVE	E-18-10-3	WASHER, PLAIN, 5MM	FOP-7-1-18		
TUBE, FLUSH VALVE	E-6-10-41	WASHER, PLAIN, 6MM	E-15-24		
TUBE, FUEL, 3.5X130	E-14-10-21	WASHER, PLAIN, 6MM	F-2-31		
TUBE, FUEL, 3.5X40	E-14-10-20	WASHER, PLAIN, 6MM	F-2-33		
TUBE, FUEL, 3.5X50	E-14-31	WASHER, PLAIN, 6MM	F-2-34		
TUBE, FUEL, 3.5X540	E-14-10-22	WASHER, PLAIN, 6MM	F-8-14		
TUBE, FUEL, 3.5X55	E-18-10-23	WASHER, PLAIN, 6MM	F-10-61		
TUBE, FUEL, 3.5X590	E-14-10-23	WASHER, PLAIN, 6MM	FOP-1-4-27		
TUBE, FUEL, 3.5X600	E-14-10-24	WASHER, PLAIN, 6MM	FOP-1-6-59		
TUBE, L. WATER RETURN	E-4-9	WASHER, PLAIN, 8MM	E-1-20		
TUBE, OIL	E-1-5	WASHER, PLAIN, 8MM	E-6-12		
TUBE, R. WATER RETURN	E-4-6	WASHER, PLAIN, 8MM	F-7-10-19		
TUBE, SPIRAL(12X14.6)	F-11-4	WASHER, PLAIN, 8MM	F-8-10-28		
TUBE, VINYL, 3.5X6.5X350	E-18-1-33	WASHER, PLAIN, 8MM	F-8-10-35		
TUBE, VINYL, 3.5X6.5X600	E-18-10-24	WASHER, PLAIN, 8MM	FOP-1-6-61		
TUBE, WATER	E-4-8	WASHER, PROPELLER	F-5-17		
TUBE, WATER CHECK	E-6-10-40	WASHER, PROPELLER	F-5-17		
TUBE, WATER IN	E-18-10-15	WASHER, PROPELLER	F-5-1-17		
TUBE, WATER JOINT	F-3-20-51	WASHER, PROPELLER	F-5-1-17		
TUBE, WATER OUTLET	E-18-10-16	WASHER, PROPELLER THRUST	F-5-15		
TUBE, WATER RELIEF	E-4-7	WASHER, PROPELLER THRUST	F-5-15		
TUBE, WATER(L)	F-4-7	WASHER, PROPELLER THRUST	F-5-1-15		
TUBE, WATER(XL)	F-4-7	WASHER, PROPELLER THRUST	F-5-1-15		
TUBE, WATER(XXL)	F-4-7	WASHER, SEALING(22MM)	E-3-8		
<V>		WASHER, SEALING(22MM)	E-3-10-3		
VALVE ASSY., AIR BYPASS	E-14-10-10	WASHER, SEALING, 22MM	E-3-7		

INDEX (Parts Number)

332-70201-0	F-6-8	HCO-94302-06100	E-9-18	HMT8-18334-770	FOP-7-2	HPT2-91005-N01	F-5-1-24
3C7-70217-0	F-6-5	HCO-94302-10160	E-5-20	HMT8-18334-770	FOP-7-1-2	HPW5-90701-000	E-5-15
3C7-70220-1	F-6-2	HCO-94302-10160	E-6-20-10	HP01-91212-003	E-5-17	HPW5-90701-000	E-6-20-9
3C7-70224-1	F-6-3	HCO-94303-05080	E-3-54	HP08-12342-004	E-1-4	HPY3-17249-000	E-15-7
3FF-70200-4	F-6-1	HCO-94305-30203	F-10-73	HP0A-91303-A02	E-15-25	HPY3-31215-004	E-21-4
3GF-70211-1	F-6-4	HCO-94510-15000	F-5-31	HP0X-91321-003	E-3-49	HPY3-31218-004	E-21-6
3GF-70240-1	F-6-7	HCO-94510-15000	F-5-1-34	HP13-31141-003	E-19-6	HPZ1-12210-004	E-9-4
3GF-70241-1	F-6-6	HCO-94520-47000	F-4-37	HP13-31147-003	E-19-10	HPZ1-12211-004	E-9-6
3PU-72537-0	FOP-3-6	HCO-94540-30029	FOP-1-6-78	HP13-31148-003	E-19-12	HR70-15280-A00	E-3-13
3PV-72571-0	FOP-3-1	HCO-94540-04029	F-2-42	HP5A-13115-000	E-7-4	HRCA-14632-A00	E-9-10-8
3PV-72637-0	FOP-3-4	HCO-94540-04029	FOP-1-6-79	HP5A-31201-005	E-21-2	HRCA-17055-A01	E-14-12
H121-51640-730	F-8-10-11	HCO-94540-06029	F-8-10-39	HP5A-31243-005	E-21-14	HRCA-17065-A01	E-14-14
H196-47117-000	F-8-10-10	HCO-94540-06029	FOP-1-36	HP5G-16614-003	E-14-4	HRCA-90014-A01	E-3-32
H341-38403-672	FOP-1-6-45	HCO-94540-06029	FOP-1-2-41	HP8A-11812-A00	E-13-10-1	HRCA-90704-A00	E-13-28
H341-38403-672	FOP-7-15	HCO-94540-06029	FOP-1-4-28	HP8A-13204-A01	E-7-6	HRDV-14765-J00	E-9-10-15
H341-38403-672	FOP-7-1-12	HCO-94540-07029	FOP-1-6-80	HP8A-14400-A01	E-13-6	HRGM-14781-A01	E-9-10-17
H355-89217-000	F-13-14	HCO-94540-10019	F-4-34	HP8A-14551-A01	E-13-13	HRJA-14711-000	E-9-10-10
H371-89221-000	F-13-7	HCO-94540-12029	F-2-43	HP8A-14620-A01	E-9-10-4	HRJA-14721-E00	E-9-10-11
H371-90009-015	E-6-20-2	HCO-94540-15029	F-11-51	HP8A-14626-A00	E-9-10-5	HRJA-15290-000	E-3-14
H5G0-90715-A00	E-3-41	HCO-95001-35040-40	E-14-10-20	HP8A-14627-A00	E-9-10-6	HRJA-90017-003	E-13-22
H663-38562-920	F-10-8	HCO-95001-35055-40	E-14-31	HP8A-14631-A00	E-9-10-7	HRKG-13210-000	E-7-7
H723-90472-000	F-4-21	HCO-95001-35055-40	E-18-10-23	HP8A-14645-A01	E-9-10-9	HRKG-13310-000	E-7-9
H759-16911-003	E-18-10-8	HCO-95001-35130-40	E-14-10-21	HP8A-15115-A01	E-3-9	HRKG-14761-003	E-9-10-13
H763-90681-A01	F-7-10-21	HCO-95001-35540-40	E-14-10-22	HP8A-15140-A00	E-3-10	HRKG-91213-003	E-9-16
H763-90681-A01	F-10-67	HCO-95001-35590-60	E-14-10-23	HP8A-15142-A00	E-3-11	HRNA-30530-A01	E-3-20
H800-91303-000	E-6-10-36	HCO-95001-35600-40	E-14-10-24	HP8A-15150-A00	E-3-12	HRNA-37830-A01	E-14-10-12
H805-91301-000	E-3-10-17	HCO-95003-05035-31	E-18-1-33	HP8A-90003-A00	E-9-10-18	HRTA-15400-004	E-3-10-4
H881-90110-000	F-10-42	HCO-95003-05060-31	E-18-10-24	HP8A-90004-A00	E-9-10-19	HRYE-13211-A01	E-7-8
H921-15611-000	E-3-10-5	HCO-95005-50200-30	F-10-74	HP8A-90017-A01	E-13-10-8	HRYE-13212-A01	E-7-8
H921-17936-000	F-2-4	HCO-95005-50950-30	F-10-75	HP8A-90031-A01	E-13-25	HRYE-13213-A01	E-7-8
H921-90302-000	F-3-20-41	HCO-95011-63000	F-3-20-55	HP8A-90701-A00	E-9-14	HRYE-13214-A01	E-7-8
H921-90302-000	FOP-1-6-54	HCO-95551-20000	F-8-19	HP8A-91301-A00	E-9-17	HRYE-13215-A01	E-7-8
H921-90302-000	FOP-7-19	HCO-95701-06014-09	E-5-21	HP8A-91308-A01	E-3-45	HS0A-91541-003	E-3-50
H921-90302-000	FOP-7-1-16	HCO-95701-06018-09	E-5-22	HP8A-91309-A01	E-3-47	HS0A-91541-003	E-13-10-11
H921-90504-010	F-8-14	HCO-95701-08030-09	E-5-23	HP8D-36165-J00	E-14-10-11	HS0A-91541-003	F-2-41
H921-90504-010	FOP-1-6-59	HCO-95701-10070-09	E-6-20-11	HP8E-14762-A01	E-9-10-14	HS0A-91541-003	F-7-5
H921-90511-000	F-10-60	HCO-95701-12120-09	E-6-20-12	HP8E-17105-A01	E-14-15	HS0A-91541-003	F-7-10-24
H921-90512-010	FOP-1-6-60	HCO-96211-07000	F-5-32	HP8F-14820-A01	E-9-10	HS0A-91541-003	F-8-10-37
H921-90518-000	F-8-10-35	HCO-96211-07000	F-5-1-35	HPC6-15233-000	E-5-10	HS0X-46392-A01	F-2-21
H921-90518-000	FOP-1-6-61	HCO-96211-12000	F-5-33	HPC6-91324-000	E-5-18	HS0X-90683-003	E-18-1-31
H921-90602-000	E-18-1-27	HCO-96211-12000	F-5-1-36	HPD1-31138-004	E-19-5	HS0X-90683-003	E-20-10-10
H921-90602-000	F-10-65	HCO-96220-50080	E-5-24	HPD1-31142-004	E-19-7	HS0X-90683-003	F-3-20-49
H952-32901-770	FOP-1-6-37	HCO-9807B-5617C	E-20-3	HPD1-31145-004	E-19-8	HSB0-90602-003	F-11-37
H952-32901-770	FOP-13-4	HCO-98200-41000	F-7-20-9	HPD1-90231-014	E-19-26	HSB2-90620-003	F-7-10-20
HP58-90428-000	F-2-30	HCO-98200-41500	F-7-20-10	HPD6-90430-003	E-18-53	HSB2-90620-003	F-7-10-20
HCO-92101-05016-4J	FOP-1-6-69	HCO-98200-43000	F-7-20-11	HPD6-90430-003	E-18-53	HSB2-90650-003	E-14-26
HCO-92101-06055-4J	F-3-26	HCO-99003-30000	F-13-15	HPD6-90430-003	E-18-53	HSB6-91475-000	FOP-1-6-66
HCO-93500-05010-4J	FOP-1-6-70	HCO-99003-50000	F-13-16	HPD6-90430-003	E-18-53	HSC2-90649-003	FOP-7-20
HCO-93500-05016-4J	E-3-51	HCO-99006-19000	F-13-12	HPG4-91033-013	F-5-1-25	HSC2-90649-003	FOP-7-1-17
HCO-93500-05020-4J	E-3-52	HCO-99008-02000	F-13-13	HPG6-15232-000	E-5-9	HSD2-90705-931	F-2-35
HCO-93500-05065-4J	FOP-1-34	HGCF-80106-670	F-8-20-3	HPG7-16741-005	E-14-7	HSD4-91356-952	E-4-25
HCO-93500-05065-4J	FOP-1-2-39	HGHB-16163-600	E-18-1-1	HPGK-37835-A01	E-14-10-13	HSD9-54316-013	E-1-15
HCO-93500-06018-4J	E-4-26	HGHB-16163-610	E-6-10-1	HPH1-90015-013	E-3-10-7	HSDA-39794-004	F-7-20-5
HCO-93500-06025-4J	F-3-20-40	HHA0-90402-000	F-2-29	HPH7-90715-000	E-3-41	HSE0-53740-953	E-1-14
HCO-93600-06016-0A	E-5-19	HHE0-50310-003	E-1-13	HPJ7-12204-305	E-9-2	HSF4-89216-000	F-13-6
HCO-93901-250J0	FOP-1-6-71	HHW1-90207-671	E-6-10-31	HPJ7-12205-305	E-9-3	HSJ6-78419-003	E-14-18
HCO-93901-251J0	FOP-1-6-72	HHW1-90215-671	F-4-18	HPK1-91308-003	E-3-46	HSK7-91566-003	E-1-28
HCO-93901-252J0	FOP-1-6-73	HK8E-17251-690	F-8-1	HPKC-91301-000	E-14-28	HSL0-91592-A51	E-18-10-22
HCO-93903-262J0	FOP-1-6-74	HKG4-90659-000	E-18-1-30	HPM3-14775-000	E-9-10-16	HSTK-91540-003	FOP-10-3
HCO-93905-255J0	FOP-1-6-75	HKM3-32161-003	F-10-6	HPM4-36145-004	E-14-10-9	HVM0-16965-771	E-18-10-10
HCO-93911-141J0	F-8-17	HKM3-32161-003	F-10-76	HPNA-91214-014	E-3-43	HZA0-90684-001	F-8-10-36
HCO-94001-05490-05	FOP-1-35	HKN5-17224-670	F-2-1	HPNA-91302-003	E-14-29	HZB7-90691-003	E-1-23
HCO-94001-05490-05	FOP-1-2-40	HK77-91305-003	E-1-24	HPNA-91307-003	E-3-44	HZB7-90691-003	E-18-54
HCO-94001-06080-05	E-19-27	HKV6-90651-003	F-7-10-20	HPNA-91307-003	E-4-24	HZCO-63515-700	F-8-10-24
HCO-94001-06490-05	FOP-1-6-76	HKY7-17450-740	E-18-10-11	HPN4-90009-E01	E-18-46	HZE2-90601-000	E-6-13
HCO-94001-12490-05	F-10-72	HMB1-90655-921	E-18-10-21	HPR3-91319-003	E-3-48	HZV0-41122-000	E-13-19
HCO-94002-05490-05	FOP-1-6-77	HMG9-17201-000	E-14-10-7	HPR7-31105-A01	E-19-1	HZV0-90604-000	E-1-22
HCO-94002-06490-05	F-8-18	HMG9-35701-950	F-11-3	HPR7-36361-A01	E-18-43	HZV0-90604-000	E-18-1-28
HCO-94103-05400	FOP-6-4	HMG9-35701-950	FOP-1-6-40	HPT0-14744-004	E-9-10-12	HZV0-90604-000	E-18-10-20
HCO-94103-05400	FOP-7-21	HMJ0-91301-003	E-14-27	HPT0-31111-003	E-19-2	HZV1-24210-010	F-10-4
HCO-94103-05400	FOP-7-1-18	HMJ0-91301-003	E-18-55	HPT0-31114-013	E-19-3	HZV1-87538-C23	F-12-8
HCO-94111-05400	FOP-6-5	HMJ0-91308-003	F-4-29	HPT0-31118-003	E-19-4	HZV4-12155-A00	E-3-4
HCO-94111-05400	FOP-7-22	HMJ0-91308-003	FOP-12-7	HPT0-31146-003	E-19-9	HZV4-17704-010	F-8-20-4
HCO-94111-05400	FOP-7-1-19	HML0-90101-720	F-8-10-28	HPT0-31147-003	E-19-11	HZV4-24221-010	F-10-5
HCO-94301-06100	E-3-53	HMM4-90105-000	FOP-1-6-51	HPT0-31148-003	E-19-13	HZV4-36182-651	FOP-1-6-42
HCO-94301-06100	E-13-30	HMM8-90502-610	F-8-10-32	HPT0-90005-003	E-9-11	HZV4-36182-651	FOP-7-11
HCO-94301-06100	E-15-28	HMR5-16966-000	F-8-20-5	HPT0-90206-004	E-9-10-20	HZV4-36182-651	FOP-7-1-9
HCO-94301-08140	E-3-10-18	HMT2-17193-000	E-1-10	HPT0-90705-000	E-9-15	HZV4-36187-652	FOP-1-6-43
HCO-94301-10120	E-14-30	HMT8-18334-770	FOP-6-2	HPT2-91005-N01	F-5-23	HZV4-36187-652	FOP-7-12

HZV4-36187-652. FOP-7-1-10
HZV4-90127-000. E-6-10
HZV4-90127-000. F-2-27
HZV4-90302-000. F-3-19
HZV4-90304-000. FOP-1-6-55
HZV4-90502-000. FOP-1-31
HZV4-90502-000. FOP-1-2-36
HZV4-90502-000. FOP-1-6-58
HZV4-90506-000. F-2-31
HZV4-90512-000. F-2-34
HZV4-90512-000. F-10-61
HZV4-90514-000. F-10-62
HZV4-90603-000. E-6-10-32
HZV4-90605-000. E-6-10-33
HZV4-90605-000. E-18-1-29
HZV4-90605-000. F-3-20-47
HZV5-12155-000. E-4-1
HZV5-12214-000. E-3-8
HZV5-12214-000. E-3-10-3
HZV5-24811-010. FOP-1-6-2
HZV5-24812-000. FOP-1-6-3
HZV5-24813-000. FOP-1-6-4
HZV5-24814-010. FOP-1-6-5
HZV5-24815-010. FOP-1-6-6
HZV5-24816-000. FOP-1-6-7
HZV5-24817-000. FOP-1-6-8
HZV5-24818-003. FOP-1-6-9
HZV5-24820-010. FOP-1-6-10
HZV5-24830-010. FOP-1-6-11
HZV5-24836-000. FOP-1-6-12
HZV5-24841-000. FOP-1-6-13
HZV5-24845-000. FOP-1-6-14
HZV5-24850-000. FOP-1-6-15
HZV5-24854-000. FOP-1-6-16
HZV5-24855-000. FOP-1-6-17
HZV5-24860-000. FOP-1-6-18
HZV5-24865-000. FOP-1-6-19
HZV5-24875-000. FOP-1-6-20
HZV5-24876-000. FOP-1-6-21
HZV5-24878-000. FOP-1-6-22
HZV5-24881-000. FOP-1-6-23
HZV5-24883-000. FOP-1-6-24
HZV5-24884-000. FOP-1-6-25
HZV5-24885-000. FOP-1-6-26
HZV5-24887-000. FOP-1-6-27
HZV5-24891-000. FOP-1-6-28
HZV5-24892-000. FOP-1-6-29
HZV5-24894-000. FOP-1-6-30
HZV5-24895-000. FOP-1-6-31
HZV5-24897-000. FOP-1-6-32
HZV5-24898-000. FOP-1-6-33
HZV5-32823-003. FOP-1-6-35
HZV5-32823-003. FOP-7-7
HZV5-32823-003. FOP-7-1-5
HZV5-32824-003. FOP-1-6-36
HZV5-32824-003. FOP-7-8
HZV5-32824-003. FOP-7-1-6
HZV5-35370-823. FOP-1-6-39
HZV5-36136-821. F-11-9
HZV5-36180-033. FOP-1-6-41
HZV5-36180-033. FOP-7-10
HZV5-36180-033. FOP-7-1-8
HZV5-38410-003. FOP-1-6-46
HZV5-38410-003. FOP-7-16
HZV5-38410-003. FOP-7-1-13
HZV5-40102-000. E-15-18
HZV5-40107-000. F-3-20-7
HZV5-41171-000. F-10-10
HZV5-41172-000. F-10-11
HZV5-50214-003. F-11-12
HZV5-56117-821. F-11-20
HZV5-56118-820. F-11-21
HZV5-56513-000. F-11-27
HZV5-82873-003. F-3-20-30
HZV5-90009-000. E-6-8
HZV5-90009-000. F-8-10-26
HZV5-90012-013. E-13-21
HZV5-90081-010. E-3-39
HZV5-90081-010. E-3-10-12
HZV5-90081-010. E-5-25
HZV5-90110-000. F-3-20-34
HZV5-90119-000. F-10-44
HZV5-90119-000. F-10-77
HZV5-90119-000. F-11-35
HZV5-90125-000. FOP-1-6-53
HZV5-90127-003. F-10-45
HZV5-90127-003. F-11-36
HZV5-90131-000. E-6-11
HZV5-90302-003. F-2-28
HZV5-90304-013. F-10-49
HZV5-90306-003. F-3-20
HZV5-90307-003. F-10-52
HZV5-90501-000. F-10-53
HZV5-90502-000. F-10-55
HZV5-90504-000. F-10-56
HZV5-90552-000. F-10-63
HZV5-90657-000. FOP-1-6-62
HZV5-90659-000. E-6-20-7
HZV5-90659-000. F-3-22
HZV5-90659-000. F-3-20-45
HZV5-90659-000. F-5-20
HZV5-90659-000. F-5-1-22
HZV5-90659-000. F-10-64
HZV5-90663-000. E-6-20-8
HZV5-90663-000. F-3-23
HZV5-90663-000. F-3-20-46
HZV5-90665-000. F-10-66
HZV5-90751-000. FOP-1-6-63
HZV5-90756-000. F-3-24
HZV5-90756-000. F-3-24
HZV5-90756-000. F-3-20-50
HZV5-90756-000. F-4-24
HZV5-90772-000. FOP-1-6-64
HZV5-91151-000. FOP-1-6-65
HZV5-91203-821. F-11-39
HZV5-91256-003. F-10-69
HZV5-91302-821. F-11-41
HZV5-91316-821. F-11-42
HZV5-91352-000. F-10-70
HZV5-91553-010. E-15-26
HZV5-91553-010. E-20-5
HZV5-91553-010. E-20-10-11
HZV5-91553-010. F-7-10-25
HZV5-91563-000. F-3-20-53
HZV5-91567-000. FOP-1-6-67
HZV5-91570-000. FOP-1-6-68
HZV7-90508-000. F-2-32
HZV7-90951-010. F-10-68
HZW1-06411-020. F-10-1
HZW1-15631-000. E-3-10-6
HZW1-19286-800. F-3-1
HZW1-24210-010. F-2-5
HZW1-24327-000. F-2-7
HZW1-24343-802. F-4-12
HZW1-24629-000. F-2-17
HZW1-31226-004. E-21-7
HZW1-31229-004. E-21-8
HZW1-31231-004. E-21-9
HZW1-36104-003. F-11-4
HZW1-38551-000. F-7-10-10
HZW1-40107-700. F-11-10
HZW1-40209-000. F-3-20-11
HZW1-41102-800. F-3-4
HZW1-41109-800. F-3-9
HZW1-56110-701. F-11-15
HZW1-56113-701. F-11-16
HZW1-56116-701. F-11-19
HZW1-56130-702. F-11-24
HZW1-56180-701. F-11-26
HZW1-56539-000. F-10-33
HZW1-56539-000. F-10-33
HZW1-56851-703. F-11-29
HZW1-56860-701. F-11-30
HZW1-90013-000. E-15-19
HZW1-90013-000. F-7-10-13
HZW1-90014-000. E-18-47
HZW1-90102-000. F-10-36
HZW1-90106-004. E-21-21
HZW1-90107-004. E-21-22
HZW1-90108-000. F-10-41
HZW1-90113-702. F-11-31
HZW1-90114-702. F-11-32
HZW1-90115-702. F-11-33
HZW1-90116-702. F-11-34
HZW1-90203-000. F-7-10-17
HZW1-90301-800. F-5-14
HZW1-90301-800. F-5-1-14
HZW1-90304-013. F-10-50
HZW1-90308-003. F-3-21
HZW1-90401-000. E-6-12
HZW1-90652-702. F-11-38
HZW1-90758-800. F-5-22
HZW1-90758-800. F-5-1-23
HZW1-90758-800. FOP-12-2
HZW1-91207-013. F-11-40
HZW1-91352-702. F-11-43
HZW1-91353-703. F-11-44
HZW1-91354-701. F-11-45
HZW1-91355-701. F-11-46
HZW1-91357-701. F-11-47
HZW1-91358-701. F-11-48
HZW1-91361-701. F-11-49
HZW1-91554-000. E-18-56
HZW1-91554-000. F-8-10-38
HZW1-91557-701. F-11-50
HZW2-90003-000. E-20-10-7
HZW2-90003-000. F-7-10-12
HZW4-90108-000. FOP-1-6-52
HZW4-90126-000. E-1-19
HZW4-90147-000. E-3-10-14
HZW4-90151-000. E-3-10-15
HZW4-90155-000. E-4-19
HZW4-90156-000. E-3-40
HZW4-90156-000. E-14-10-18
HZW4-90306-003. F-10-51
HZW4-90401-000. FOP-1-6-56
HZW4-90402-000. FOP-1-6-57
HZW4-91301-003. F-3-25
HZW4-91301-003. FOP-12-6
HZW5-06241-U00. FOP-1-2
HZW5-06241-U10. FOP-1-2-2
HZW5-06352-U01. FOP-6-1
HZW5-06900-U00. FOP-5-1
HZW5-16081-010. E-18-20
HZW5-16086-000. E-18-23
HZW5-16087-000. E-18-24
HZW5-16715-023. E-18-29
HZW5-16733-000. E-18-34
HZW5-16915-000. E-18-10-9
HZW5-19291-000. E-6-10-9
HZW5-19292-000. E-6-10-11
HZW5-19297-000. E-6-10-15
HZW5-24810-U01. FOP-1-3
HZW5-24810-U01. FOP-1-2-3
HZW5-24810-U11. FOP-1-2-4
HZW5-24811-U01. FOP-1-4
HZW5-24811-U01. FOP-1-2-5
HZW5-24812-U01. FOP-1-5
HZW5-24812-U01. FOP-1-2-6
HZW5-24813-U01. FOP-1-6
HZW5-24813-U01. FOP-1-2-7
HZW5-24813-U21. FOP-1-2-8
HZW5-24814-U01. FOP-1-7
HZW5-24814-U01. FOP-1-2-9
HZW5-24815-U01. FOP-1-8
HZW5-24816-U01. FOP-1-9
HZW5-24816-U01. FOP-1-2-10
HZW5-24816-U01. FOP-1-4-8
HZW5-24817-U01. FOP-1-10
HZW5-24817-U01. FOP-1-2-11
HZW5-24818-U01. FOP-1-11
HZW5-24818-U01. FOP-1-2-12
HZW5-24819-U01. FOP-1-12
HZW5-24819-U01. FOP-1-2-13
HZW5-24825-U01. FOP-1-14
HZW5-24825-U01. FOP-1-2-15
HZW5-24826-U01. FOP-1-15
HZW5-24826-U01. FOP-1-2-16
HZW5-24826-U01. FOP-1-4-10
HZW5-24831-U01. FOP-1-16
HZW5-24831-U01. FOP-1-2-17
HZW5-24831-U01. FOP-1-4-12
HZW5-24832-U01. FOP-1-17
HZW5-24832-U01. FOP-1-2-18
HZW5-24832-U01. FOP-1-4-13
HZW5-24834-U01. FOP-1-18
HZW5-24834-U21. FOP-1-2-19
HZW5-32168-003. E-18-42
HZW5-35370-U02. FOP-1-20
HZW5-35370-U02. FOP-1-2-22
HZW5-35370-U12. FOP-1-2-23
HZW5-35665-003. E-15-16
HZW5-90002-013. E-5-14
HZW5-90011-010. E-19-22
HZW5-90018-000. E-20-10-9
HZW5-90018-000. F-7-20-7
HZW5-90021-U00. FOP-5-2
HZW5-90023-000. F-2-24
HZW5-90101-U00. FOP-1-22
HZW5-90101-U00. FOP-1-2-25
HZW5-90101-U00. FOP-1-4-20
HZW5-90102-U00. FOP-1-23
HZW5-90102-U00. FOP-1-2-26
HZW5-90103-U01. FOP-1-24
HZW5-90103-U01. FOP-1-2-27
HZW5-90104-U00. FOP-1-25
HZW5-90104-U00. FOP-1-2-28
HZW5-90105-U01. FOP-1-26
HZW5-90105-U01. FOP-1-2-29
HZW5-90106-U00. FOP-1-27
HZW5-90106-U00. FOP-1-2-30
HZW5-90107-U00. FOP-1-28
HZW5-90107-U00. FOP-1-2-31
HZW5-90108-U00. FOP-1-2-32
HZW5-90109-000. FOP-6-3
HZW5-90109-000. FOP-7-18
HZW5-90109-000. FOP-7-1-15
HZW5-90203-010. E-19-25
HZW5-90301-U00. FOP-1-29
HZW5-90301-U00. FOP-1-2-33
HZW5-90302-003. F-10-48
HZW5-90302-U21. FOP-1-2-34
HZW5-90501-U00. FOP-1-30
HZW5-90501-U00. FOP-1-2-35
HZW5-90501-U00. FOP-1-4-26
HZW5-90502-U00. FOP-1-32
HZW5-90502-U00. FOP-1-2-37
HZW5-90503-U00. FOP-1-33
HZW5-90503-U00. FOP-1-2-38
HZW5-90509-711. F-5-16
HZW5-90509-711. F-5-1-16
HZW5-90511-U00. FOP-5-3
HZW5-90512-U00. FOP-5-4
HZW5-90601-030. E-18-10-19
HZW5-91201-003. E-5-16
HZW5-91202-003. E-6-10-35
HZW5-91251-003. F-2-38
HZW7-24810-U01. FOP-1-4-2
HZW7-24811-U01. FOP-1-4-3
HZW7-24812-U01. FOP-1-4-4
HZW7-24813-U01. FOP-1-4-5
HZW7-24814-U01. FOP-1-4-6
HZW7-24815-U01. FOP-1-4-7
HZW7-24817-U01. FOP-1-4-9
HZW7-24832-U01. FOP-1-4-14
HZW7-24833-U01. FOP-1-4-15
HZW7-32530-U00. FOP-1-19
HZW7-32530-U00. FOP-1-2-20
HZW7-32530-U10. FOP-1-2-21
HZW7-32530-U20. FOP-1-4-16
HZW7-35370-U02. FOP-1-4-17
HZW7-87703-U00. FOP-1-4-19
HZW7-90101-U01. FOP-1-4-21
HZW7-90102-U01. FOP-1-4-22
HZW7-90103-U01. FOP-1-4-23
HZW7-90104-U01. FOP-1-4-24
HZW7-90301-U01. FOP-1-4-25
HZW7-90502-U00. FOP-1-4-27
HZW9-19279-000. E-6-10-8
HZW9-19291-000. E-6-10-10
HZW9-19297-000. E-6-10-16
HZW9-32114-730. E-1-11
HZW9-32114-730. E-3-21
HZW9-35490-003. E-3-24
HZW9-87702-800. FOP-1-6-49
HZW9-90005-000. F-10-34
HZW9-90008-000. FOP-1-6-50
HZW9-90009-000. F-10-35
HZW9-90011-000. E-1-16
HZW9-90011-000. E-13-20
HZW9-90011-000. F-2-22
HZW9-90013-000. F-7-3

HZW9-90013-000	F-7-10-14	HZX2-32166-003	E-18-41	HZX2-90528-C00	F-5-1-18	HZY3-16016-003.	E-15-1
HZW9-90014-000	E-18-1-25	HZX2-32370-004	F-7-20-1	HZX2-90528-E00.	F-5-1-19	HZY3-16024-000.	E-18-5
HZW9-90014-000	E-20-10-8	HZX2-32410-000	F-7-10-3	HZX2-90529-C00	F-5-1-18	HZY3-16026-000.	E-18-6
HZW9-90014-000	F-7-10-15	HZX2-32414-300	F-7-10-5	HZX2-90529-C00	F-5-1-18	HZY3-16031-010.	E-18-8
HZW9-90016-000	E-14-19	HZX2-32415-000	F-7-10-7	HZX2-90529-E00.	F-5-1-19	HZY3-16036-003.	E-18-9
HZW9-90016-000	E-18-48	HZX2-32435-000	F-7-10-8	HZX2-90530-C00	F-5-1-18	HZY3-16041-000.	E-18-10
HZW9-90019-000	E-1-17	HZX2-34750-023	E-20-10-4	HZX2-90530-C00	F-5-1-18	HZY3-16042-000.	E-18-11
HZW9-90019-000	E-3-34	HZX2-34750-043	E-20-10-4	HZX2-90530-E00.	F-5-1-19	HZY3-16061-000.	E-18-12
HZW9-90019-000	E-4-16	HZX2-35470-013	F-2-18	HZX2-90531-C00	F-5-1-18	HZY3-16072-000.	E-18-13
HZW9-90019-000	E-14-20	HZX2-36120-003	F-11-5	HZX2-90531-C00	F-5-1-18	HZY3-16073-000.	E-18-14
HZW9-90101-003	F-3-10	HZX2-36129-003	F-11-8	HZX2-90531-E00.	F-5-1-19	HZY3-16074-000.	E-18-15
HZW9-90102-000	F-2-26	HZX2-38228-003	F-7-20-3	HZX2-90541-E01.	F-5-1-20	HZY3-16075-000.	E-18-16
HZW9-90102-000	F-8-10-29	HZX2-38550-003	F-7-10-9	HZX2-90542-E01.	F-5-1-21	HZY3-16076-000.	E-18-17
HZW9-90103-010	F-10-37	HZX2-38552-000	F-7-10-11	HZX2-90651-C00	F-5-21	HZY3-16077-000.	E-18-18
HZW9-90105-000	F-8-11	HZX2-41100-C01ZC.	F-3-10-1	HZX2-90683-003	E-18-1-32	HZY3-16078-000.	E-18-19
HZW9-90105-000	F-8-10-30	HZX2-41100-C11ZC.	F-3-10-1	HZX2-90683-003	F-7-10-22	HZY3-16082-000.	E-18-21
HZW9-90105-000	F-10-40	HZX2-41100-C21ZC.	F-3-10-1	HZX2-91051-C01	F-5-24	HZY3-16083-000.	E-18-22
HZW9-90506-000	F-8-10-34	HZX2-41100-E01ZC.	F-3-10-1	HZX2-91053-C01	F-4-25	HZY3-16087-000.	E-18-25
HZX1-90133-R00	F-8-13	HZX2-41100-E11ZC.	F-3-10-1	HZX2-91054-E01.	F-5-1-27	HZY3-16088-000.	E-18-26
HZX2-06125-C00	FOP-12-1	HZX2-41101-C01ZC.	F-3-3	HZX2-91055-C01	F-5-25	HZY3-16176-000.	E-15-2
HZX2-06131-000	E-7-16	HZX2-41102-E00ZC.	F-3-5	HZX2-91055-C01	F-5-1-28	HZY3-16193-A00	E-18-10-2
HZX2-06192-C00	F-4-35	HZX2-41107-C00ZC.	F-3-8	HZX2-91056-C01	F-4-26	HZY3-16196-A00	E-18-10-3
HZX2-06193-C00	F-4-36	HZX2-41110-305ZB.	F-3-27	HZX2-91351-C00	F-5-30	HZY3-16197-000.	E-18-10-4
HZX2-11381-003	E-6-2	HZX2-41112-C00	F-4-14	HZX2-91351-C00	F-5-1-33	HZY3-16198-A00	E-18-10-5
HZX2-11911-000	E-3-10-2	HZX2-41112-C10	F-4-14	HZX2-91351-C00	FOP-12-8	HZY3-16199-A00	E-18-10-6
HZX2-12000-405ZA.	E-3-3	HZX2-41112-C20	F-4-14	HZX2-91358-C00	F-4-31	HZY3-16203-000.	E-1-6
HZX2-13010-000	E-7-1	HZX2-41131-C00	F-4-16	HZX2-91359-C00	F-4-32	HZY3-16400-A01	E-15-3
HZX2-13011-000	E-7-1	HZX2-41131-E00.	F-4-16	HZY1-90205-000.	F-3-18	HZY3-16405-000.	E-15-5
HZX2-13101-000	E-7-2	HZX2-41140-C00	F-5-8	HZY1-90205-000.	F-10-47	HZY3-16451-000.	E-14-2
HZX2-13102-000	E-7-2	HZX2-41141-E00.	F-5-1-8	HZY1-90650-003.	FOP-10-2	HZY3-16611-A00	E-14-3
HZX2-13321-003	E-7-10	HZX2-41150-E00.	F-5-1-9	HZY2-87132-R00.	F-12-4	HZY3-16620-A00	E-14-5
HZX2-13322-003	E-7-10	HZX2-41151-C00	F-5-9	HZY2-87133-R00.	F-12-11	HZY3-16708-000.	E-18-28
HZX2-13323-003	E-7-10	HZX2-41161-C00	F-5-10	HZY3-06412-000.	F-10-2	HZY3-16721-000.	E-18-31
HZX2-13324-003	E-7-10	HZX2-41161-E00.	F-5-1-10	HZY3-06532-U00	F-10-3	HZY3-16733-000.	E-18-35
HZX2-13325-003	E-7-10	HZX2-41200-E00.	F-5-1-37	HZY3-11100-415.	E-3-10-1	HZY3-16734-000.	E-18-36
HZX2-13326-003	E-7-10	HZX2-41201-C00ZC.	F-5-11	HZY3-11200-010ZA.	E-3-1	HZY3-16735-004.	E-18-37
HZX2-13341-003	E-7-12	HZX2-41201-C00ZC.	F-5-1-11	HZY3-11300-C00	E-3-2	HZY3-16740-A01	E-14-6
HZX2-13342-003	E-7-12	HZX2-41202-C00	F-5-12	HZY3-11311-010ZA.	E-6-1	HZY3-16751-000.	E-18-10-7
HZX2-13343-003	E-7-12	HZX2-56000-013	F-11-13	HZY3-11820-000.	E-13-10-2	HZY3-16752-000.	E-18-38
HZX2-13344-003	E-7-12	HZX2-56532-C00	F-11-28	HZY3-11840-010.	E-13-10-3	HZY3-16752-A00	E-14-8
HZX2-13345-003	E-7-12	HZX2-58130-T01.	FOP-8-1	HZY3-11861-000.	E-13-10-4	HZY3-16753-000.	E-18-1-2
HZX2-13346-003	E-7-12	HZX2-58130-T11.	FOP-8-1	HZY3-11871-000.	E-13-10-5	HZY3-16754-000.	E-18-1-3
HZX2-13392-000	E-7-14	HZX2-58130-T21.	FOP-8-1	HZY3-11911-010.	E-9-1	HZY3-16755-003.	E-14-9
HZX2-13811-000	E-13-3	HZX2-58130-T31.	FOP-8-1	HZY3-12155-000.	E-3-5	HZY3-16757-003.	E-14-10
HZX2-14111-000	E-9-10-1	HZX2-58130-T41.	FOP-8-1	HZY3-12164-000.	E-3-6	HZY3-16807-003.	E-18-1-6
HZX2-14211-000	E-9-10-2	HZX2-58130-T51.	FOP-8-1	HZY3-12171-305.	E-3-7	HZY3-16895-C00	E-1-9
HZX2-14526-405ZA.	E-13-10	HZX2-58130-T61.	FOP-8-1	HZY3-12210-010ZA.	E-9-5	HZY3-16904-003.	E-18-1-14
HZX2-15655-000	E-3-15	HZX2-58180-T01.	FOP-8-1	HZY3-12231-000.	E-9-7	HZY3-16911-010.	E-18-39
HZX2-16020-003	E-18-4	HZX2-58180-T11.	FOP-8-1	HZY3-12241-000.	E-9-8	HZY3-16913-000.	E-18-40
HZX2-16024-003	E-18-1-34	HZX2-58180-T21.	FOP-8-1	HZY3-12251-A01	E-9-9	HZY3-16915-010.	E-18-1-18
HZX2-16030-003	E-18-7	HZX2-58180-T31.	FOP-8-1	HZY3-12310-405ZA.	E-1-1	HZY3-16918-003.	E-18-1-20
HZX2-16404-000	E-15-4	HZX2-58180-T41.	FOP-8-1	HZY3-12312-000.	E-1-2	HZY3-16919-003.	E-18-1-22
HZX2-16700-003	E-1-7	HZX2-58180-T51.	FOP-8-1	HZY3-12320-405ZA.	E-1-3	HZY3-17051-A00	E-14-11
HZX2-16701-003	E-18-27	HZX2-58180-T61.	FOP-8-1	HZY3-13331-A04	E-7-11	HZY3-17061-A00	E-14-13
HZX2-16730-003	E-18-33	HZX2-63100-R00ZA.	F-8-2	HZY3-13391-000.	E-7-13	HZY3-17105-004.	E-14-10-1
HZX2-16800-003	E-18-1-4	HZX2-63111-C00ZB.	F-8-6	HZY3-13398-003.	E-7-15	HZY3-17108-000.	E-14-16
HZX2-16805-003	E-18-1-5	HZX2-63119-C00	F-8-7	HZY3-13621-C01	E-13-1	HZY3-17109-004.	E-14-10-2
HZX2-16814-000	E-18-1-7	HZX2-63260-C00	F-8-10-23	HZY3-13622-C00	E-13-2	HZY3-17110-003.	E-14-10-3
HZX2-16850-C00	F-8-20-1	HZX2-63710-C00ZB.	F-3-20-20	HZY3-14261-C00	E-13-4	HZY3-17113-003.	E-14-10-4
HZX2-16860-C00	E-18-1-8	HZX2-63715-C00ZB.	F-3-20-21	HZY3-14270-C00	E-13-5	HZY3-17130-003ZA.	E-14-10-5
HZX2-16870-C00	E-1-8	HZX2-63719-C00	F-3-20-23	HZY3-14436-000.	E-9-10-3	HZY3-17138-004.	E-14-10-6
HZX2-16880-C00	E-18-1-9	HZX2-87117-C00	F-12-2	HZY3-14510-003.	E-13-7	HZY3-17221-000.	E-18-10-12
HZX2-16890-C00	E-18-1-10	HZX2-87121-R00	F-12-3	HZY3-14515-000.	E-13-8	HZY3-17723-A01	E-18-10-13
HZX2-16900-003	E-18-1-11	HZX2-90001-000	E-5-13	HZY3-14520-000.	E-13-9	HZY3-17724-010.	E-18-10-14
HZX2-16912-003	E-18-1-16	HZX2-90002-000	E-19-21	HZY3-14529-000.	E-13-11	HZY3-17738-000.	F-8-20-2
HZX2-16914-000	E-18-1-17	HZX2-90101-C00	F-2-25	HZY3-14550-003.	E-13-12	HZY3-17877-000.	F-2-2
HZX2-16940-003	E-18-1-24	HZX2-90102-C00	F-3-20-31	HZY3-14553-003.	E-13-14	HZY3-17910-013.	E-15-10
HZX2-17374-000	E-15-9	HZX2-90105-C00	F-4-17	HZY3-14555-003.	E-13-15	HZY3-17931-000.	F-2-3
HZX2-19234-C00	F-4-5	HZX2-90107-C00	F-3-13	HZY3-15100-000ZA.	E-5-1	HZY3-18110-010ZA.	E-4-2
HZX2-19241-C00	F-4-6	HZX2-90129-000	F-10-46	HZY3-15112-013.	E-5-2	HZY3-18115-003.	E-4-3
HZX2-19300-003	E-4-10	HZX2-90301-C00	F-4-19	HZY3-15113-000.	E-5-3	HZY3-18120-C01ZA.	E-4-4
HZX2-19303-003	E-4-11	HZX2-90303-C00	F-4-20	HZY3-15121-000.	E-5-4	HZY3-18125-003.	E-4-5
HZX2-19313-000ZA.	E-4-12	HZX2-90502-003	F-8-10-33	HZY3-15131-405.	E-5-5	HZY3-18141-A00ZA.	E-6-10-2
HZX2-19315-000ZA.	E-4-13	HZX2-90504-C00	F-10-57	HZY3-15132-405.	E-5-6	HZY3-18148-003.	E-6-10-3
HZX2-19511-000	E-13-16	HZX2-90506-C00	F-5-15	HZY3-15220-020.	E-5-7	HZY3-18149-A01	E-6-10-4
HZX2-19540-010	E-15-29	HZX2-90506-C00	F-5-1-15	HZY3-15425-010.	E-1-5	HZY3-18151-A00ZA.	E-6-10-5
HZX2-24101-C00	F-5-1	HZX2-90512-C00	F-5-17	HZY3-15656-000.	E-3-16	HZY3-18330-020.	E-6-3
HZX2-24101-C00	F-5-1-1	HZX2-90512-C00	F-5-1-17	HZY3-15657-000.	E-3-17	HZY3-18333-003.	E-6-4
HZX2-30416-000	E-20-10-1	HZX2-90518-C00	F-4-22	HZY3-15810-003ZA.	E-3-18	HZY3-18340-020.	E-6-5
HZX2-30520-003	E-20-2	HZX2-90519-C00	F-4-22	HZY3-15825-003.	E-3-19	HZY3-19210-003.	F-4-1
HZX2-31110-000ZA.	E-5-11	HZX2-90520-C00	F-4-22	HZY3-16011-A01	E-18-1	HZY3-19221-010.	F-4-2
HZX2-31916-003	E-20-3	HZX2-90521-C00	F-4-22	HZY3-16013-000.	E-18-2	HZY3-19223-000.	F-4-3
HZX2-32100-010	F-7-1	HZX2-90528-C00	F-5-18	HZY3-16015-000.	E-18-3	HZY3-19231-000.	F-4-4

HZY3-19251-000. F-4-7
 HZY3-19251-611. F-4-7
 HZY3-19251-621. F-4-7
 HZY3-19252-000. E-6-6
 HZY3-19253-000. F-4-8
 HZY3-19254-000. E-6-7
 HZY3-19255-000. E-4-6
 HZY3-19256-010. E-4-7
 HZY3-19257-000. E-4-8
 HZY3-19258-010. E-18-10-15
 HZY3-19259-000. E-18-10-16
 HZY3-19261-000. E-4-9
 HZY3-19270-000. F-3-20-1
 HZY3-19271-000. F-3-20-2
 HZY3-19272-000. F-3-20-3
 HZY3-19277-000ZA. E-6-10-6
 HZY3-19278-000. E-6-10-7
 HZY3-19289-000. F-3-20-4
 HZY3-19294-000ZB. E-6-10-12
 HZY3-19295-000. E-6-10-13
 HZY3-19296-000. E-6-10-14
 HZY3-19297-000. E-6-10-17
 HZY3-19298-000ZB. E-6-10-18
 HZY3-19361-000. E-6-10-19
 HZY3-19362-000. E-6-10-20
 HZY3-19366-000. E-6-10-21
 HZY3-23170-030ZA. E-6-10-22
 HZY3-23172-003. E-6-20-1
 HZY3-23173-010. E-6-10-23
 HZY3-24102-000. F-5-2
 HZY3-24102-000. F-5-1-2
 HZY3-24103-000. F-5-3
 HZY3-24103-000. F-5-1-3
 HZY3-24113-A01. F-5-4
 HZY3-24113-A01. F-5-1-4
 HZY3-24122-A01. F-5-5
 HZY3-24122-A01. F-5-1-5
 HZY3-24123-000. F-5-6
 HZY3-24123-000. F-5-1-6
 HZY3-24124-310. F-5-7
 HZY3-24124-310. F-5-1-7
 HZY3-24221-000. F-2-6
 HZY3-24310-C00. F-4-9
 HZY3-24310-E00. F-4-9
 HZY3-24318-000. F-4-10
 HZY3-24320-A20. F-4-11
 HZY3-24610-A00. F-2-8
 HZY3-24612-010. F-2-9
 HZY3-24613-000. F-2-10
 HZY3-24617-000. F-2-11
 HZY3-24618-000. F-2-12
 HZY3-24619-000. F-2-13
 HZY3-24620-000. F-2-14
 HZY3-24623-000. F-2-15
 HZY3-24628-000. F-2-16
 HZY3-30280-003. F-11-1
 HZY3-31106-003. F-11-2
 HZY3-31116-000. E-5-12
 HZY3-31200-003. E-21-1
 HZY3-31207-003. E-21-3
 HZY3-31216-003. E-21-5
 HZY3-31226-003. E-21-7
 HZY3-31232-003. E-21-9
 HZY3-31235-003. E-21-10
 HZY3-31236-003. E-21-11
 HZY3-31240-003. E-21-12
 HZY3-31241-003. E-21-12
 HZY3-31242-003. E-21-13
 HZY3-31243-003. E-21-13
 HZY3-31246-003. E-21-15
 HZY3-31247-003. E-21-16
 HZY3-31249-003. E-21-17
 HZY3-31250-003. E-21-18
 HZY3-31251-003. E-21-24
 HZY3-31630-003. E-19-14
 HZY3-31630-013. E-19-14
 HZY3-31631-003. E-19-15
 HZY3-31637-000. E-19-16
 HZY3-31638-003. E-13-17
 HZY3-31639-003. E-19-17
 HZY3-31694-003. E-19-18
 HZY3-31710-003. E-19-19
 HZY3-31750-003. E-19-20
 HZY3-32111-010. E-13-18
 HZY3-32112-000. E-14-17
 HZY3-32116-000. E-3-22
 HZY3-32128-000. E-14-10-8
 HZY3-32129-000. E-1-12
 HZY3-32193-C00. E-3-23
 HZY3-32411-003. F-7-10-4
 HZY3-32419-A00. F-8-10-1
 HZY3-32421-000. F-8-10-2
 HZY3-34754-C00. E-20-10-5
 HZY3-35476-010. F-2-19
 HZY3-35477-000. F-2-20
 HZY3-35490-004. E-3-25
 HZY3-35640-013. F-3-20-5
 HZY3-35645-000. F-3-20-6
 HZY3-35655-C01. E-4-14
 HZY3-35660-003. F-10-7
 HZY3-35673-003. E-3-26
 HZY3-35673-003. E-4-15
 HZY3-35695-003. E-13-10-6
 HZY3-35700-003. E-3-27
 HZY3-36122-013. F-11-6
 HZY3-36123-013. F-11-7
 HZY3-36163-003. E-14-10-10
 HZY3-36362-000. E-18-44
 HZY3-36550-003. E-15-17
 HZY3-36620-000. E-18-45
 HZY3-40105-C01. F-8-10-3
 HZY3-40114-010. F-3-20-8
 HZY3-40119-003. F-8-10-4
 HZY3-40151-000ZC. F-3-20-9
 HZY3-40154-000ZA. F-8-10-5
 HZY3-40155-000. F-8-10-6
 HZY3-40157-000. F-8-10-7
 HZY3-40158-000. F-8-10-8
 HZY3-40159-000. F-8-10-9
 HZY3-40201-020ZC. F-3-20-10
 HZY3-40201-612ZC. F-3-20-10
 HZY3-40202-621ZC. F-3-2
 HZY3-40204-000. F-4-13
 HZY3-40210-610. F-3-20-12
 HZY3-40212-010ZC. F-3-20-13
 HZY3-40212-611ZC. F-3-20-13
 HZY3-40219-013. F-10-9
 HZY3-40219-013. F-11-11
 HZY3-40225-010. F-3-20-14
 HZY3-40226-010. F-3-20-15
 HZY3-41104-C01. F-3-6
 HZY3-41105-C01. F-3-7
 HZY3-41116-000. F-4-15
 HZY3-41179-A00. F-10-12
 HZY3-50100-A01. F-10-13
 HZY3-50100-A11. F-10-13
 HZY3-50109-000. F-10-14
 HZY3-50111-020. F-3-20-16
 HZY3-50151-000. F-10-15
 HZY3-50153-000. F-10-16
 HZY3-50155-000. F-3-20-17
 HZY3-50157-010. F-3-20-18
 HZY3-50161-000ZD. F-10-17
 HZY3-50161-610. F-10-17
 HZY3-50166-000. F-10-18
 HZY3-50168-000. F-10-19
 HZY3-50201-C01ZD. F-10-20
 HZY3-50201-C11ZC. F-10-20
 HZY3-50209-A00. F-10-21
 HZY3-50211-000. F-10-22
 HZY3-50214-000. F-10-23
 HZY3-50301-030ZC. F-10-24
 HZY3-50311-020ZC. F-10-25
 HZY3-50381-000. F-10-26
 HZY3-50388-U00. FOP-9-1
 HZY3-50388-U10. FOP-9-2
 HZY3-50522-000. F-10-27
 HZY3-50527-000. F-10-28
 HZY3-50529-000. F-10-29
 HZY3-56100-013. F-11-14
 HZY3-56120-013. F-11-22
 HZY3-56170-013. F-11-25
 HZY3-56516-A00. F-10-30
 HZY3-56518-A00. F-10-31
 HZY3-56519-A00. F-10-32
 HZY3-56532-000. F-11-28
 HZY3-56532-000. F-11-28
 HZY3-56532-000. F-11-28
 HZY3-60180-C01. F-8-10-12
 HZY3-60185-C01. F-8-10-13
 HZY3-63102-010. F-8-3
 HZY3-63107-000. F-8-4
 HZY3-63108-000. F-8-5
 HZY3-63201-000ZC. F-8-10-14
 HZY3-63205-000. F-8-10-15
 HZY3-63208-000. F-8-10-16
 HZY3-63212-000. F-8-10-17
 HZY3-63223-000. F-8-10-18
 HZY3-63224-000. F-8-10-19
 HZY3-63225-000. F-8-10-20
 HZY3-63226-000. F-8-10-21
 HZY3-63230-C00. F-8-10-22
 HZY3-63347-C00. F-3-20-19
 HZY3-63718-000. F-3-20-22
 HZY3-63722-010ZC. F-3-20-24
 HZY3-63728-000. F-3-20-25
 HZY3-63729-003. F-8-10-25
 HZY3-63731-A03ZC. F-3-20-26
 HZY3-63731-A12ZC. F-3-20-26
 HZY3-63736-A03ZC. F-3-20-27
 HZY3-63736-A12ZC. F-3-20-27
 HZY3-63751-C00. F-3-20-28
 HZY3-63756-C00. F-3-20-29
 HZY3-90001-000. E-3-28
 HZY3-90002-000. E-21-19
 HZY3-90003-000. E-21-20
 HZY3-90006-003. E-3-29
 HZY3-90007-000. E-13-10-7
 HZY3-90008-003. E-3-30
 HZY3-90009-003. E-3-31
 HZY3-90010-000. E-6-20-3
 HZY3-90011-000. E-6-20-4
 HZY3-90013-000. E-6-20-5
 HZY3-90015-000. E-6-20-6
 HZY3-90017-000. E-3-33
 HZY3-90017-000. E-13-23
 HZY3-90017-000. E-18-49
 HZY3-90017-000. E-19-23
 HZY3-90017-000. F-2-23
 HZY3-90018-000. E-13-10-9
 HZY3-90021-000. E-3-35
 HZY3-90021-000. E-14-21
 HZY3-90021-000. E-18-50
 HZY3-90021-000. F-8-10-17
 HZY3-90023-000. E-14-10-14
 HZY3-90026-000. E-9-12
 HZY3-90027-000. E-4-17
 HZY3-90028-000. E-3-36
 HZY3-90029-000. E-14-10-15
 HZY3-90030-000. E-3-37
 HZY3-90030-000. E-3-10-8
 HZY3-90030-000. E-6-10-24
 HZY3-90030-000. E-13-24
 HZY3-90030-000. E-15-21
 HZY3-90031-000. E-3-10-9
 HZY3-90031-000. E-6-10-25
 HZY3-90031-000. E-14-10-15
 HZY3-90034-000. E-4-18
 HZY3-90034-000. E-15-22
 HZY3-90035-000. E-9-13
 HZY3-90036-000. E-1-18
 HZY3-90037-000. E-15-23
 HZY3-90038-000. E-3-38
 HZY3-90039-000. E-13-26
 HZY3-90040-000. E-13-27
 HZY3-90041-000. E-3-10-10
 HZY3-90042-000. E-14-22
 HZY3-90043-000. E-14-23
 HZY3-90044-000. E-14-24
 HZY3-90045-000. E-6-10-26
 HZY3-90046-000. E-6-10-27
 HZY3-90047-000. E-6-10-28
 HZY3-90049-000. E-6-10-29
 HZY3-90050-000. E-18-51
 HZY3-90053-010. E-6-9
 HZY3-90054-000. E-18-52
 HZY3-90055-000. E-19-24
 HZY3-90056-000. E-18-1-26
 HZY3-90058-000. E-14-10-17
 HZY3-90059-000. E-6-10-30
 HZY3-90063-000. E-3-10-11
 HZY3-90082-003. E-3-10-13
 HZY3-90102-A00. F-3-20-32
 HZY3-90104-010. F-10-39
 HZY3-90105-010. F-3-20-33
 HZY3-90106-A00. F-8-10-31
 HZY3-90107-000. F-7-10-16
 HZY3-90109-010. F-8-12
 HZY3-90111-000. F-3-20-35
 HZY3-90113-C00. F-3-20-36
 HZY3-90117-000. F-10-43
 HZY3-90120-000. F-3-14
 HZY3-90122-000. F-3-20-37
 HZY3-90123-000. F-5-13
 HZY3-90123-000. F-5-1-13
 HZY3-90124-000. F-3-15
 HZY3-90129-A00. F-3-20-38
 HZY3-90130-620. F-3-16
 HZY3-90131-620. F-3-17
 HZY3-90132-000. F-3-20-39
 HZY3-90134-000. F-3-20-40
 HZY3-90204-000. E-3-10-16
 HZY3-90205-000. E-14-25
 HZY3-90205-000. E-14-10-19
 HZY3-90302-000. F-3-20-42
 HZY3-90304-000. F-7-10-18
 HZY3-90405-000. F-7-10-19
 HZY3-90406-000. E-1-20
 HZY3-90501-A00. F-10-54
 HZY3-90503-610. F-3-20-43
 HZY3-90504-A00. F-10-57
 HZY3-90504-A00. F-10-57
 HZY3-90506-000. F-5-15
 HZY3-90506-000. F-5-1-15
 HZY3-90507-000. F-8-15
 HZY3-90508-000. E-15-24
 HZY3-90508-000. F-2-33
 HZY3-90509-000. F-10-58
 HZY3-90510-000. F-10-59
 HZY3-90511-000. F-3-20-44
 HZY3-90512-000. F-5-17
 HZY3-90512-000. F-5-1-17
 HZY3-90548-000. F-5-19
 HZY3-90549-000. F-5-19
 HZY3-90550-000. F-5-19
 HZY3-90551-000. F-5-19
 HZY3-90552-000. F-5-19
 HZY3-90553-000. F-5-19
 HZY3-90554-000. F-5-19
 HZY3-90555-000. F-5-19
 HZY3-90556-000. F-5-19
 HZY3-90557-000. F-5-19
 HZY3-90558-000. F-5-19
 HZY3-90559-000. F-5-19
 HZY3-90560-000. F-5-19
 HZY3-90601-030. E-4-20
 HZY3-90601-030. E-18-10-25
 HZY3-90602-020. E-1-21
 HZY3-90603-020. E-4-21
 HZY3-90604-020. E-4-22
 HZY3-90652-000. F-3-20-48
 HZY3-90653-003. F-7-4
 HZY3-90741-000. E-13-29
 HZY3-90751-000. F-2-36
 HZY3-90752-003. F-4-23
 HZY3-91001-003. E-6-10-34
 HZY3-91056-711. F-5-26
 HZY3-91056-711. F-5-1-29
 HZY3-91057-003. F-5-27
 HZY3-91057-003. F-5-1-30
 HZY3-91151-000. F-5-28
 HZY3-91151-000. F-5-1-31
 HZY3-91152-003. F-2-37
 HZY3-91212-003. E-3-42
 HZY3-91251-C01. F-4-27
 HZY3-91251-C01. FOP-12-3
 HZY3-91254-003. F-4-28
 HZY3-91254-003. FOP-12-5
 HZY3-91255-003. F-2-39
 HZY3-91301-003. E-4-23
 HZY3-91303-000. E-21-23
 HZY3-91304-000. E-6-10-37
 HZY3-91305-003. E-6-10-38

HZY3-91306-003.	E-6-10-39	HZZ5-32530-000.	FOP-1-6-34
HZY3-91356-003.	F-4-30	HZZ5-32545-000.	FOP-7-6
HZY3-91401-A00	E-1-25	HZZ5-32545-000.	FOP-7-1-4
HZY3-91402-020.	E-1-26	HZZ5-32580-600.	FOP-13-3
HZY3-91403-000.	E-1-27	HZZ5-32580-700.	FOP-13-3
HZY3-91404-000.	E-6-10-40	HZZ5-32580-800.	FOP-13-3
HZY3-91405-000.	E-6-10-41	HZZ5-37210-013.	FOP-1-6-44
HZY3-91451-000.	F-3-20-51	HZZ5-37210-712.	FOP-7-1-11
HZY3-91508-000.	E-13-10-10	HZZ5-37210-762.	FOP-7-14
HZY3-91551-000.	F-4-33	HZZ5-38414-003.	FOP-7-17
HZY3-91552-000.	F-3-20-52	HZZ5-38414-003.	FOP-7-1-14
HZY3-91556-000.	F-8-16	HZZ5-91501-000.	F-7-10-23
HZY3-91560-000.	F-10-71		
HZY3-91651-003.	F-3-20-54		
HZY6-16450-003.	E-14-1		
HZY6-16718-013.	E-18-30		
HZY6-16723-003.	E-18-32		
HZY6-19269-000.	E-18-10-17		
HZY6-24320-000.	F-4-11		
HZY6-24320-610.	F-4-11		
HZY6-32371-004.	F-7-20-2		
HZY6-32414-640.	F-7-10-6		
HZY6-36135-003.	E-18-10-18		
HZY6-38235-004.	F-7-20-4		
HZY6-39794-003.	F-7-20-6		
HZY6-90103-000.	F-3-12		
HZY6-90103-000.	F-10-38		
HZY6-90135-004.	F-7-20-8		
HZY6-91553-000.	F-3-20-52		
HZY9-17315-000.	E-15-8		
HZY9-30419-003.	E-20-1		
HZY9-30419-003.	E-20-10-2		
HZY9-30419-003.	F-7-10-1		
HZY9-31207-H01	E-21-3		
HZY9-31226-H01	E-21-21		
HZY9-31229-H01	E-21-8		
HZY9-31246-H01	E-21-15		
HZY9-32103-000.	F-7-10-2		
HZY9-38553-003.	E-20-10-6		
HZY9-56115-003.	F-11-18		
HZY9-90017-000.	E-15-20		
HZY9-90105-000.	E-20-4		
HZZ0-56539-C00	F-10-33		
HZZ0-90101-000.	F-3-11		
HZZ3-06240-R30	FOP-1-1		
HZZ3-06240-R40	FOP-1-4-1		
HZZ3-06240-R60	FOP-1-2-1		
HZZ3-06323-R20	FOP-7-1		
HZZ3-06323-R30	FOP-7-1-1		
HZZ3-06328-763.	FOP-10-1		
HZZ3-24800-R00	FOP-1-6-1		
HZZ3-24820-R11	FOP-1-13		
HZZ3-24820-R21	FOP-1-2-14		
HZZ3-24830-R41	FOP-1-4-11		
HZZ3-32101-000.	E-20-10-3		
HZZ3-32127-000.	F-7-2		
HZZ3-32341-R31	FOP-7-3		
HZZ3-32346-R21	FOP-7-4		
HZZ3-32346-R31	FOP-7-1-3		
HZZ3-32347-R01	FOP-7-5		
HZZ3-35100-R11	FOP-1-6-38		
HZZ3-35100-R11	FOP-7-9		
HZZ3-35100-R11	FOP-7-1-7		
HZZ3-37205-R01	FOP-7-13		
HZZ3-87301-R00	F-12-12		
HZZ3-87701-R00	FOP-1-6-47		
HZZ3-87701-R40	FOP-1-4-18		
HZZ3-87703-R01	FOP-1-2-24		
HZZ3-87703-R81	FOP-1-21		
HZZ3-91252-003.	F-5-29		
HZZ3-91252-003.	F-5-1-32		
HZZ3-91252-003.	FOP-12-4		
HZZ5-06325-600.	FOP-13-1		
HZZ5-06325-700.	FOP-13-1		
HZZ5-06325-800.	FOP-13-1		
HZZ5-16901-003.	E-18-1-12		
HZZ5-16906-003.	E-18-1-15		
HZZ5-16915-000.	E-18-1-19		
HZZ5-16918-003.	E-18-1-21		
HZZ5-16919-003.	E-18-1-23		
HZZ5-32185-600.	FOP-13-2		
HZZ5-32185-700.	FOP-13-2		
HZZ5-32185-800.	FOP-13-2		

Note

Note

TOHATSU CORPORATION

**Address : 5-4,3-chome,Azusawa,Itabashi-ku,
TOKYO,174-0051 JAPAN**

Phone : TOKYO (03)3966-3117

FAX : TOKYO (03)3966-0090

Website : www.tohatsu.co.jp